

[54] **COMBINED MEASURING AND DISPENSING CONTAINER FOR GRANULATED OR POWDERED MATERIAL**

[76] **Inventor:** Grover N. Christensen, 18763 Casa Blanca La., Saratoga, Calif. 95070

[**] **Term:** 14 Years

[21] **Appl. No.:** 7,380

[22] **Filed:** Jan. 29, 1979

[51] **Int. Cl.** D8-99

[52] **U.S. Cl.** D7/47; D7/9; D8/2; D8/310; D8/315; D8/320; D8/319; D8/318; D8/317; 209/282; 209/357; 222/175; 222/185; 222/189; 222/226; 222/234; 222/410

[58] **Field of Search** D8/2, 310, 315, 320, D8/319, 318, 317; D7/47, 9; 209/282, 357; 222/175, 185, 189, 226, 234, 410

[56] **References Cited**

U.S. PATENT DOCUMENTS

1,354,415 9/1920 Nepstad 209/357
 1,975,241 10/1934 Werber et al. D7/9

2,605,934 8/1952 Telander 222/410
 3,415,376 12/1968 Smith et al. D7/47

OTHER PUBLICATIONS

Dimeo Plastic Knobs, Catalog 66, Dimeo-Gray Co., 207 E. 6th St., Dayton 2, Ohio, p. 7 #237, Mar. 27, 1967.

Primary Examiner—Veronica O'Keefe
Attorney, Agent, or Firm—Claude A. S. Hamrick

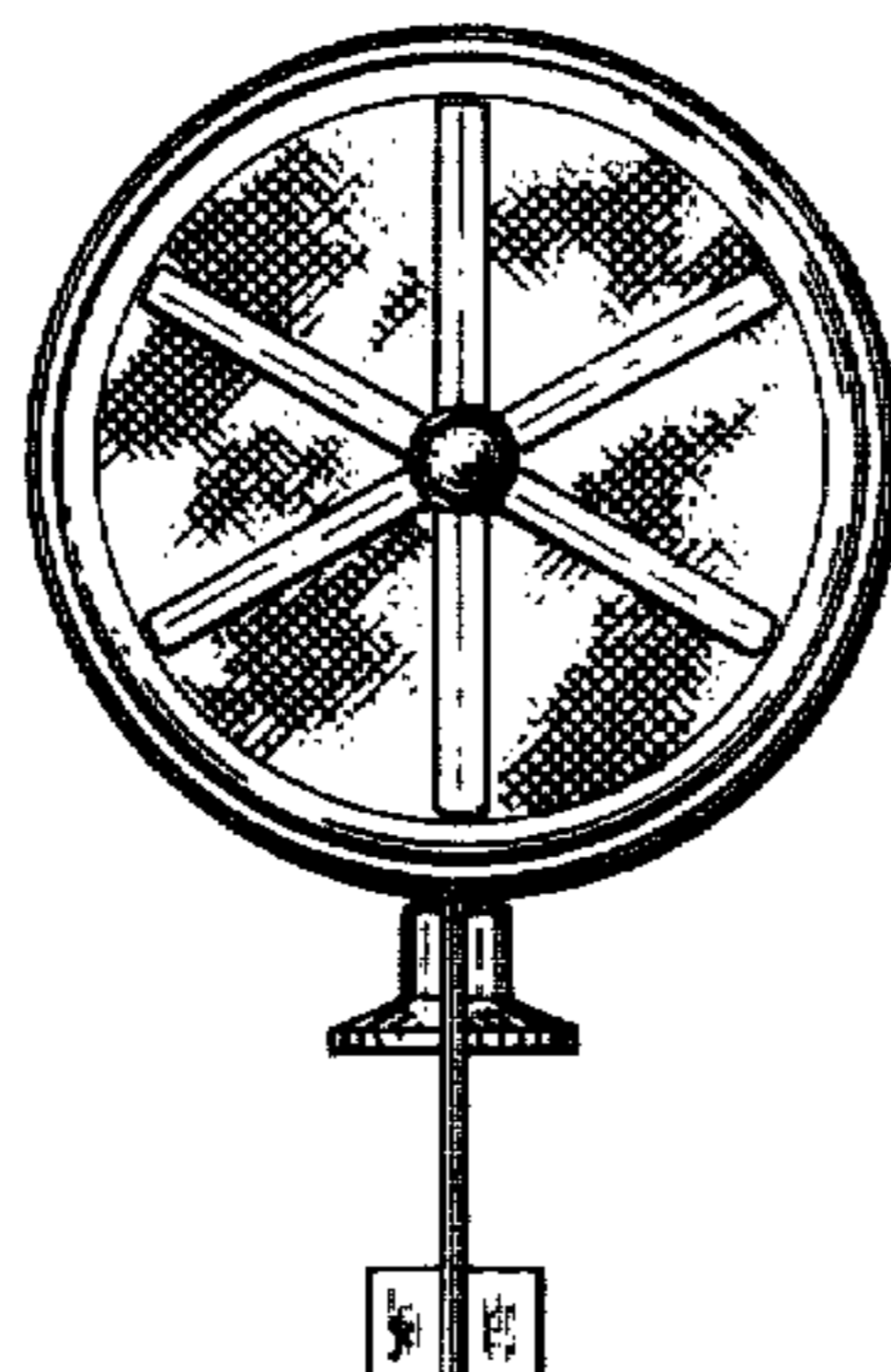
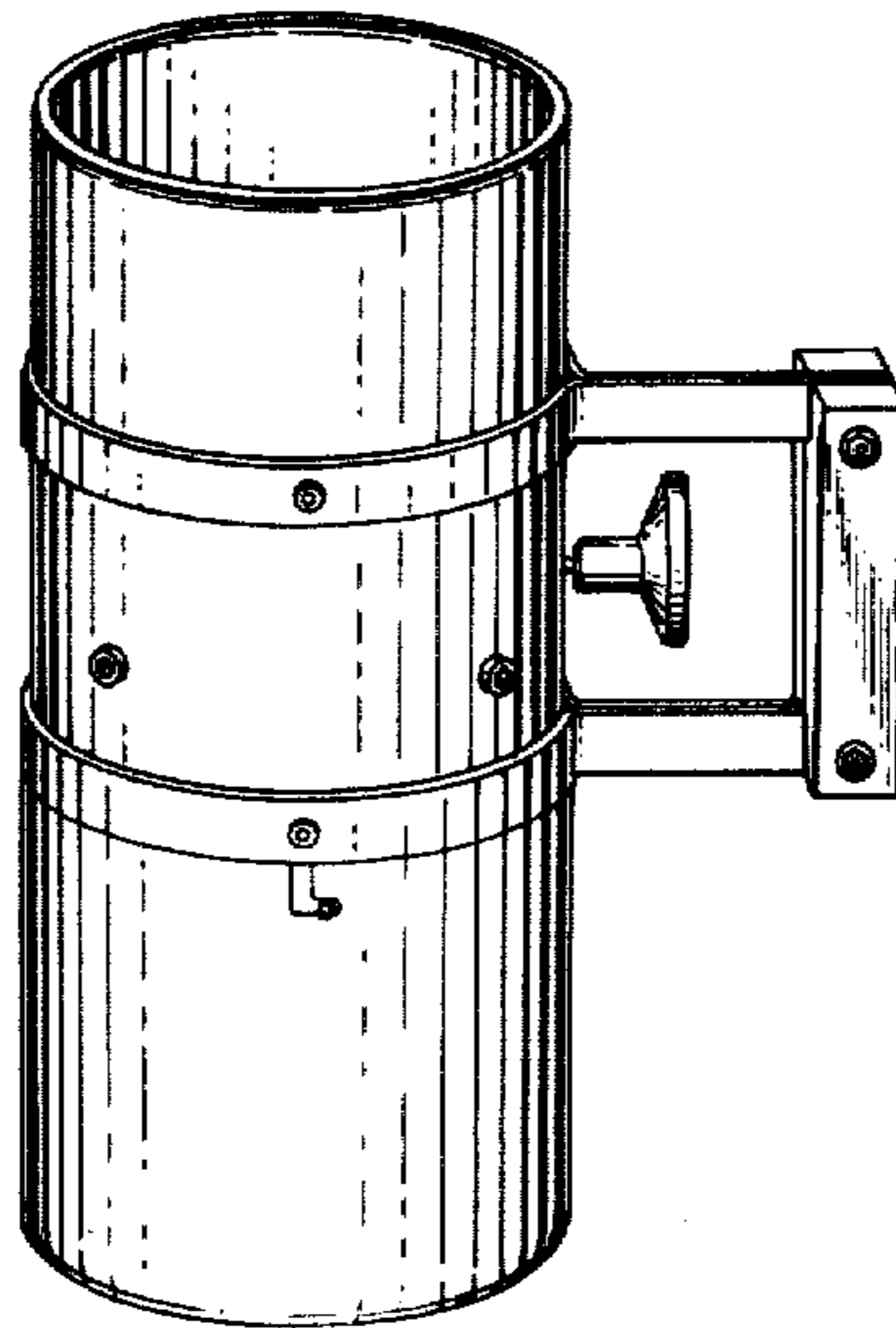
[57] **CLAIM**

The ornamental design for a combined measuring and dispensing container for granulated or powdered material, substantially as shown and described.

DESCRIPTION

FIG. 1 is a perspective view showing a combined measuring and dispensing container for granulated or powdered material showing the front, top, rear, and left side of my new design; the right side being a mirror image of the left side;

FIG. 2 is a rear elevational view thereof; and FIG. 3 is a top plan view thereof. The bottom of the device is closed and plain. The illustrated removable screen and agitator wheel are disposed approximately mid-way along the verticle length of the device.



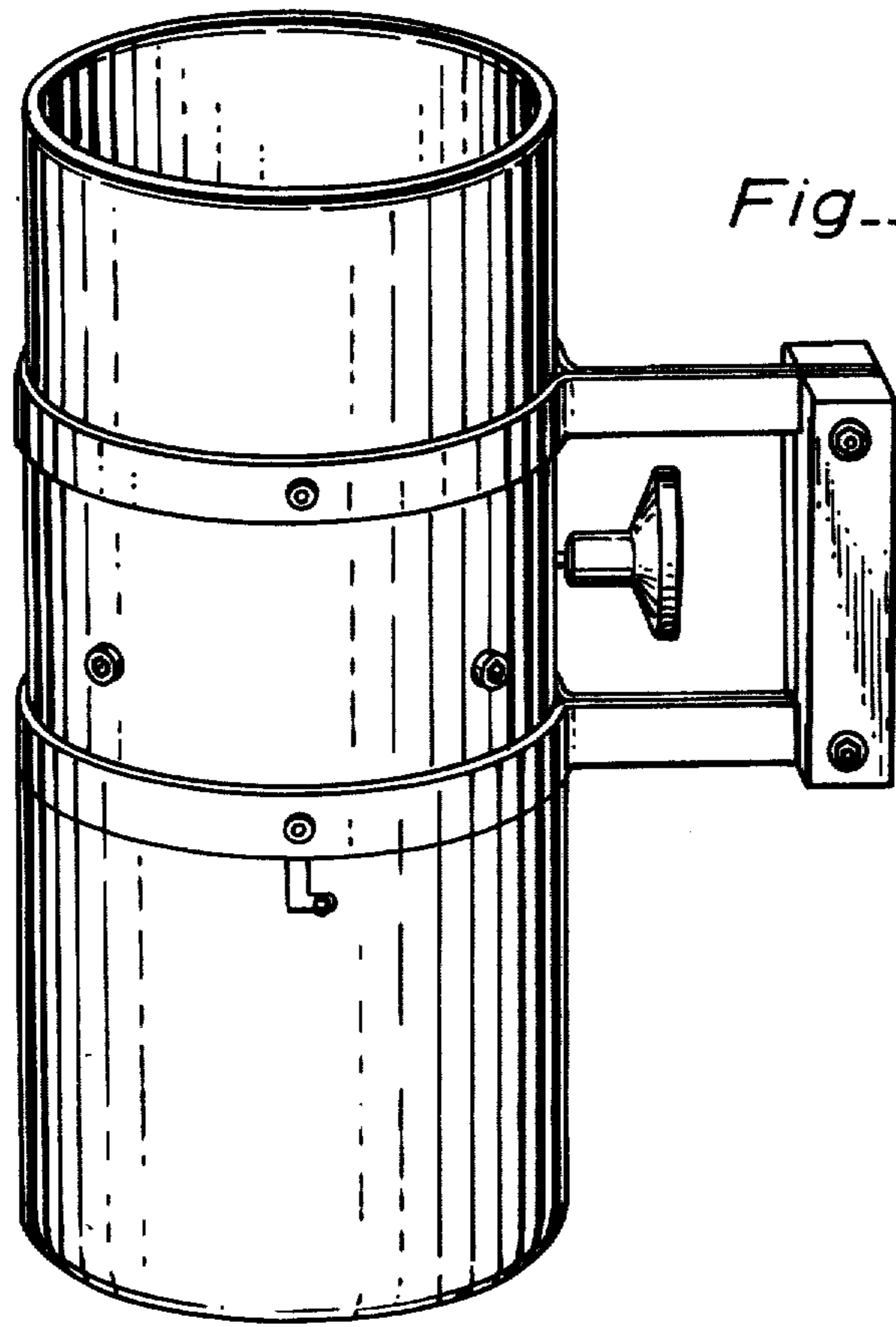


Fig. 1

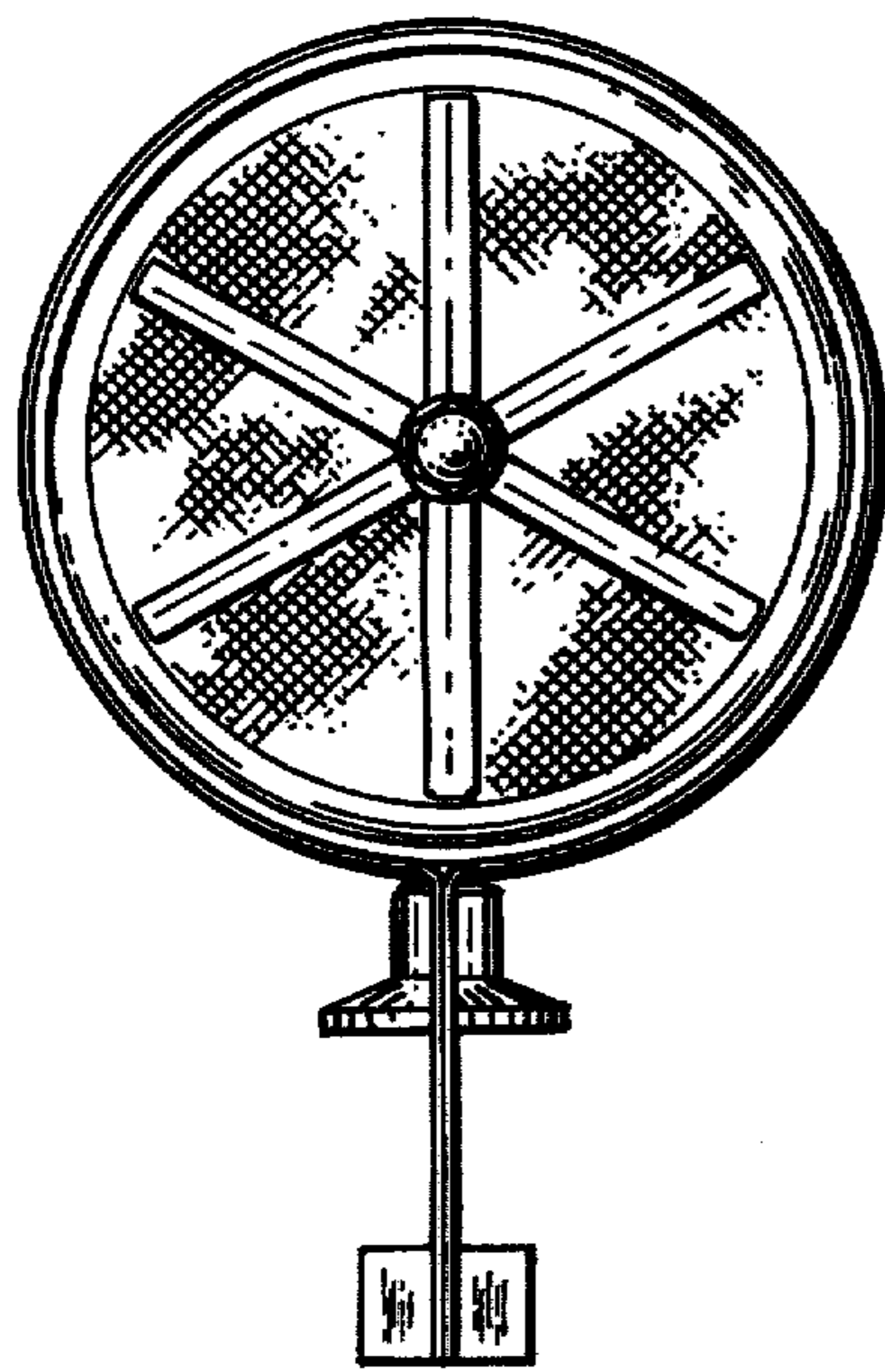


Fig. 3

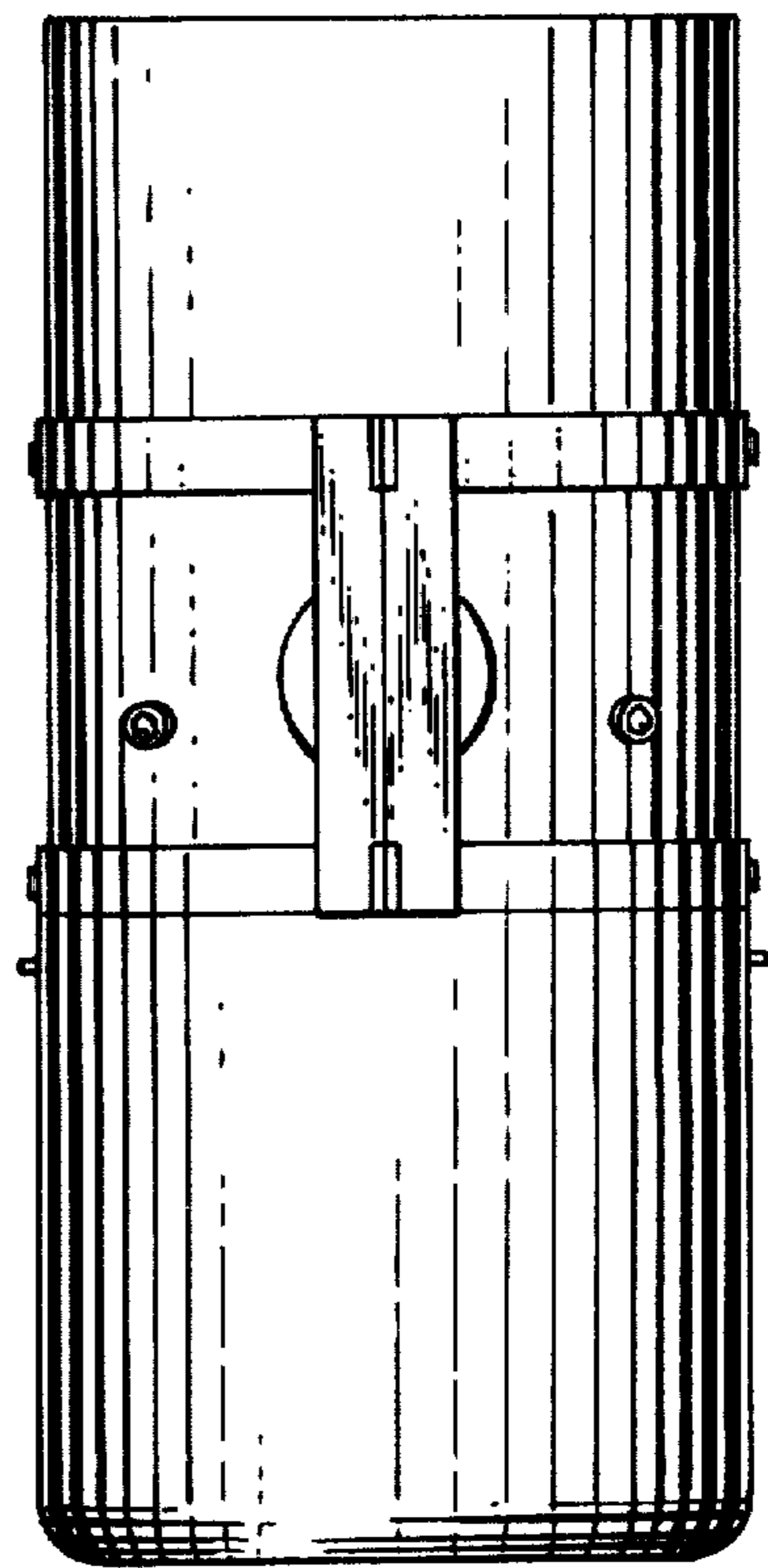


Fig. 2