

[54] TABLE OR SIMILAR ARTICLE

[75] Inventor: James DiPersia, New York, N.Y.

[73] Assignee: Avento Designs, Inc., New York, N.Y.

[**] Term: 14 Years

[21] Appl. No.: 103,954

[22] Filed: Dec. 14, 1979

[51] Int. Cl. D6-03

[52] U.S. Cl. D6/177; D6/27

[58] Field of Search D6/20, 27, 147, 175,
D6/177, 178, 179; 248/188.7

[56] References Cited

U.S. PATENT DOCUMENTS

D. 135,508 4/1943 Mildwoff D6/175
2,635,023 4/1953 Frye 248/188.7

OTHER PUBLICATIONS

House Beautiful, 10-1974, p. 130, Table left center.
Home Furnishings Merchandising, 4-1948, p. 31, Table
top left by Schwartz.

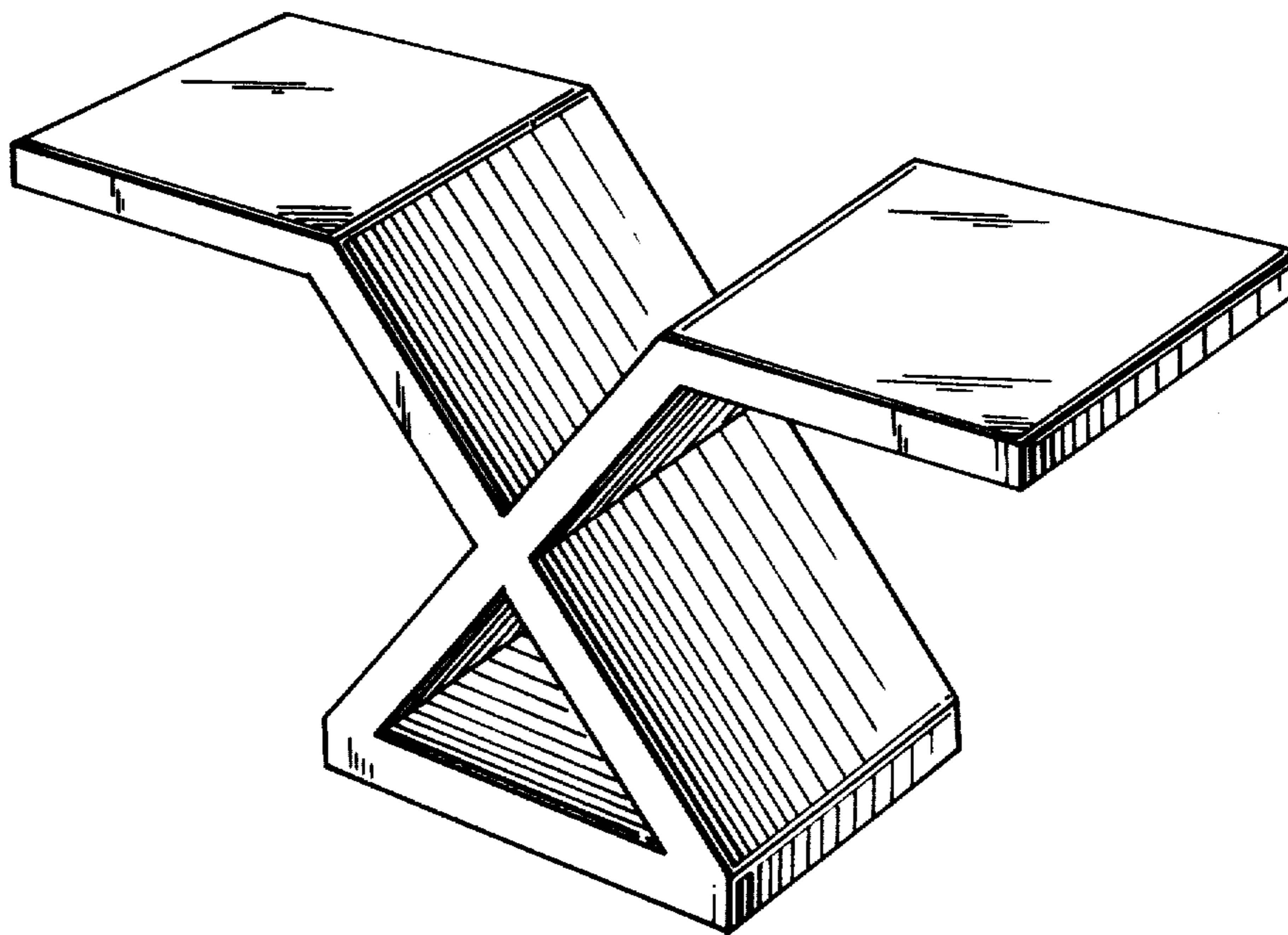
Primary Examiner—Bruce W. Dunkins
Attorney, Agent, or Firm—Hopgood, Calimafde, Kalil,
Blaustein & Judlowe

[57] CLAIM

The ornamental design for a table or similar article,
substantially as shown and described.

DESCRIPTION

FIG. 1 is a perspective view of a table or similar article
showing my new design;
FIG. 2 is a front elevational view thereof, the rear ele-
vational view being the same in appearance;
FIG. 3 is a right side elevational view thereof, the oppo-
site side being the same in appearance as the side shown;
FIG. 4 is a top plan view thereof; and
FIG. 5 is a bottom plan view thereof.



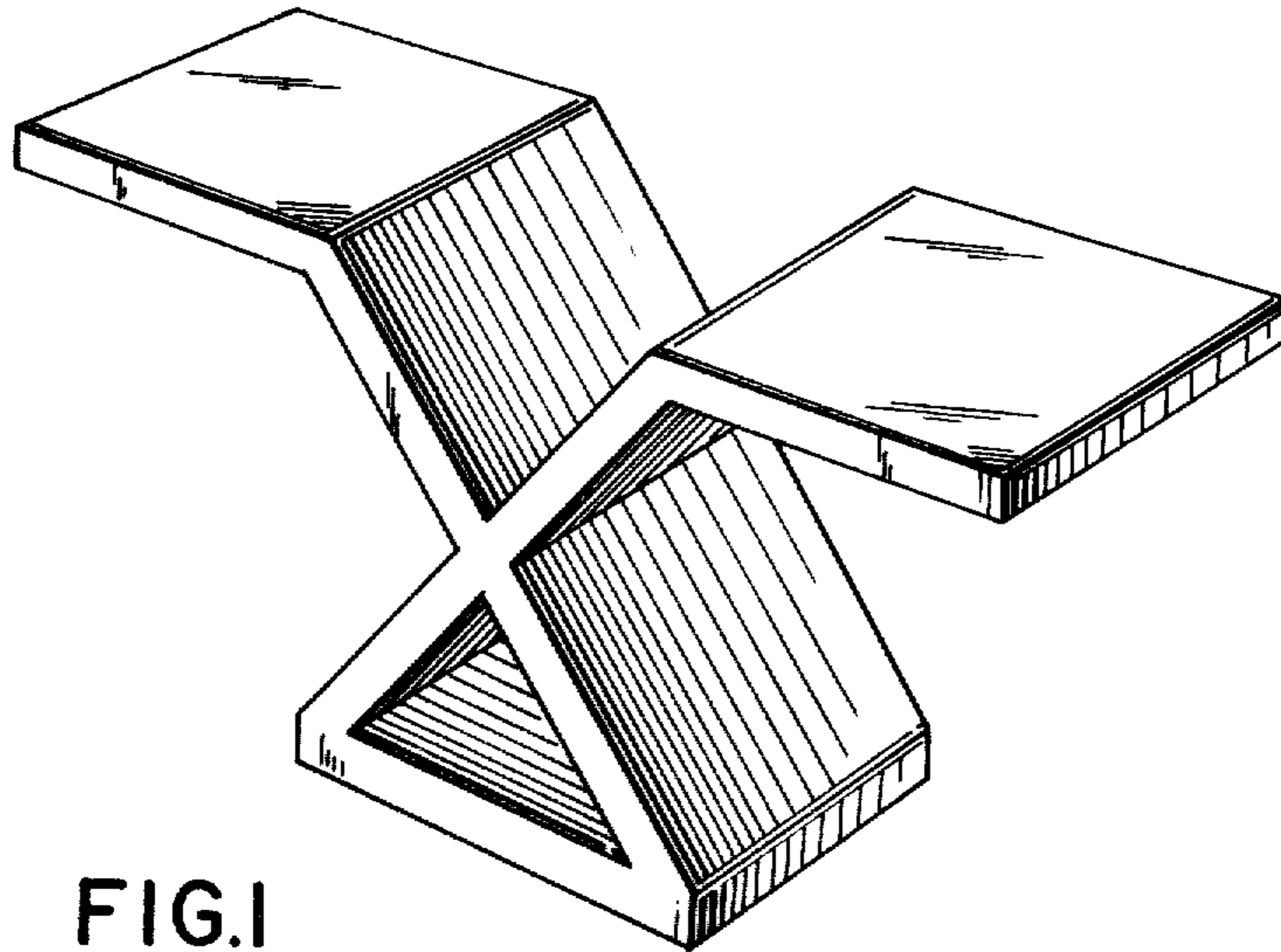


FIG. 1

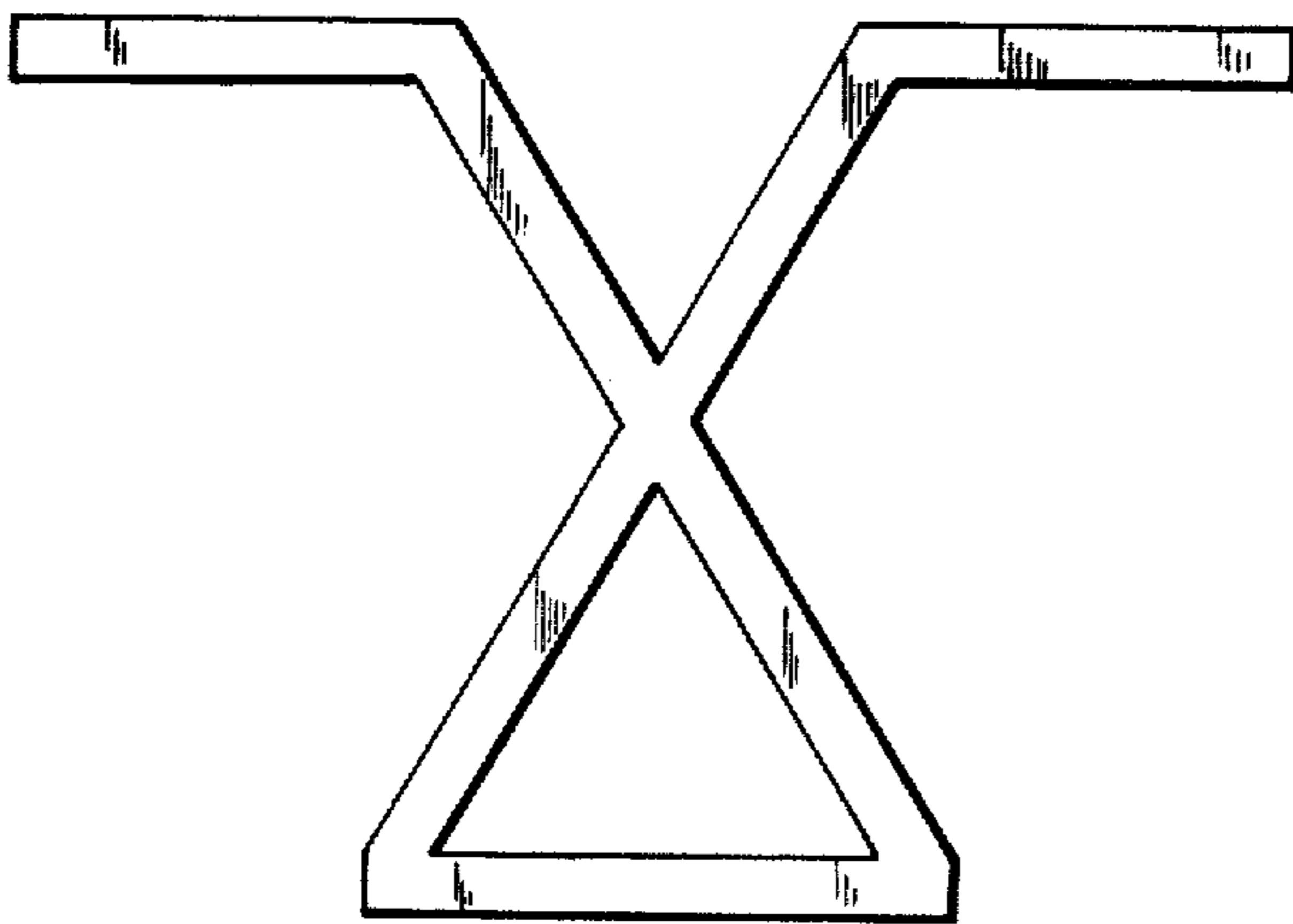


FIG. 2

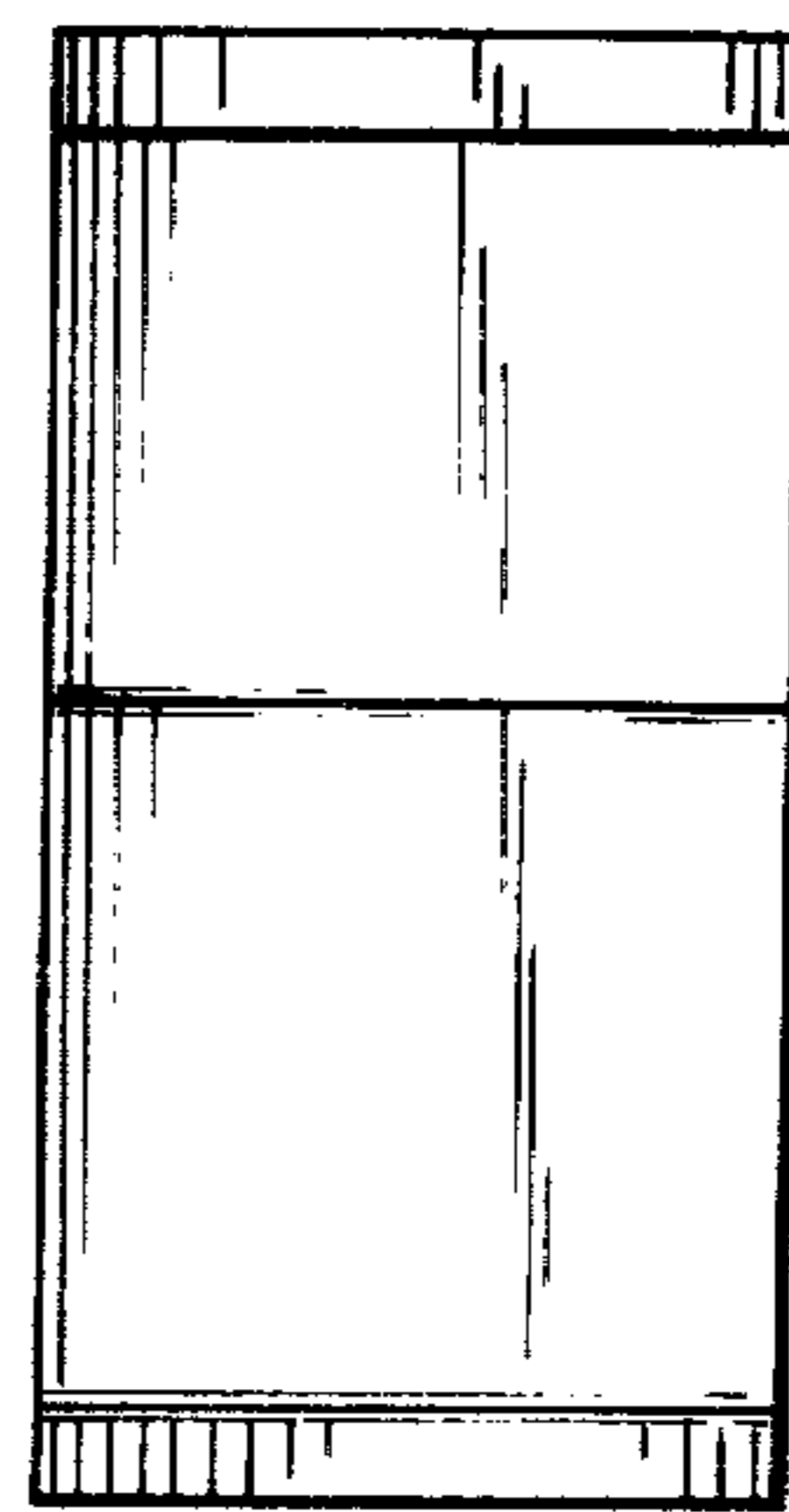


FIG. 3

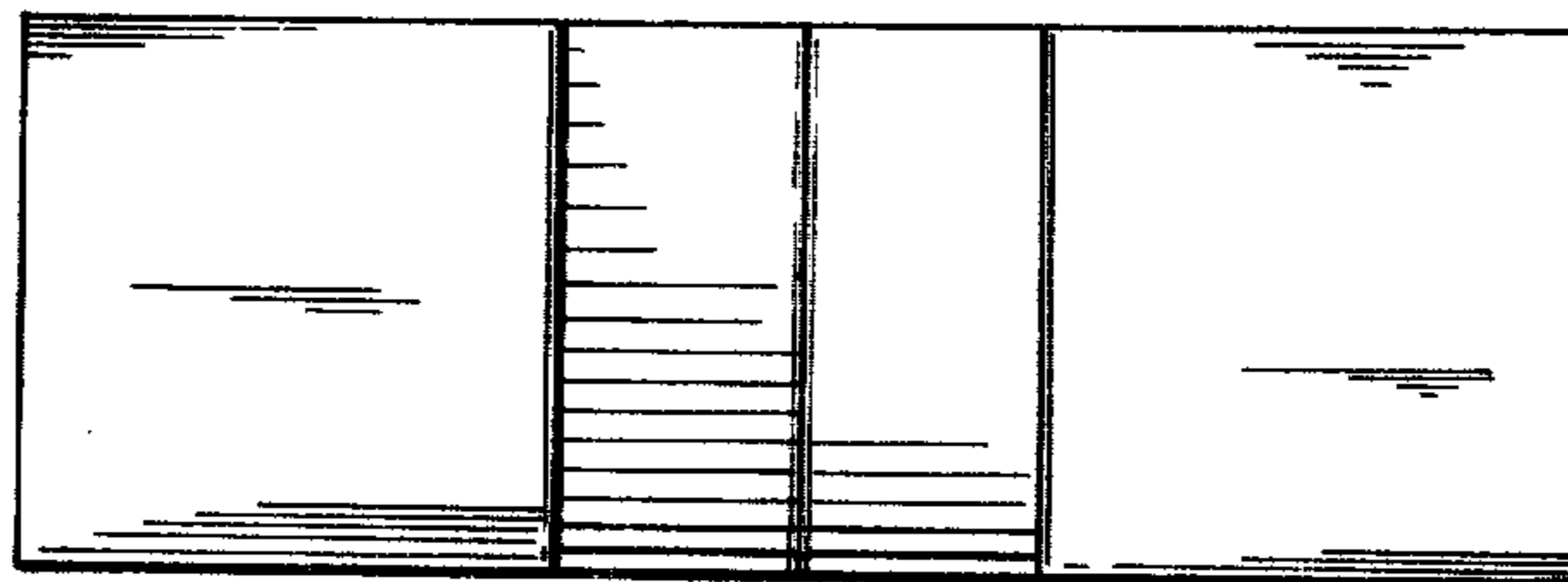


FIG. 4

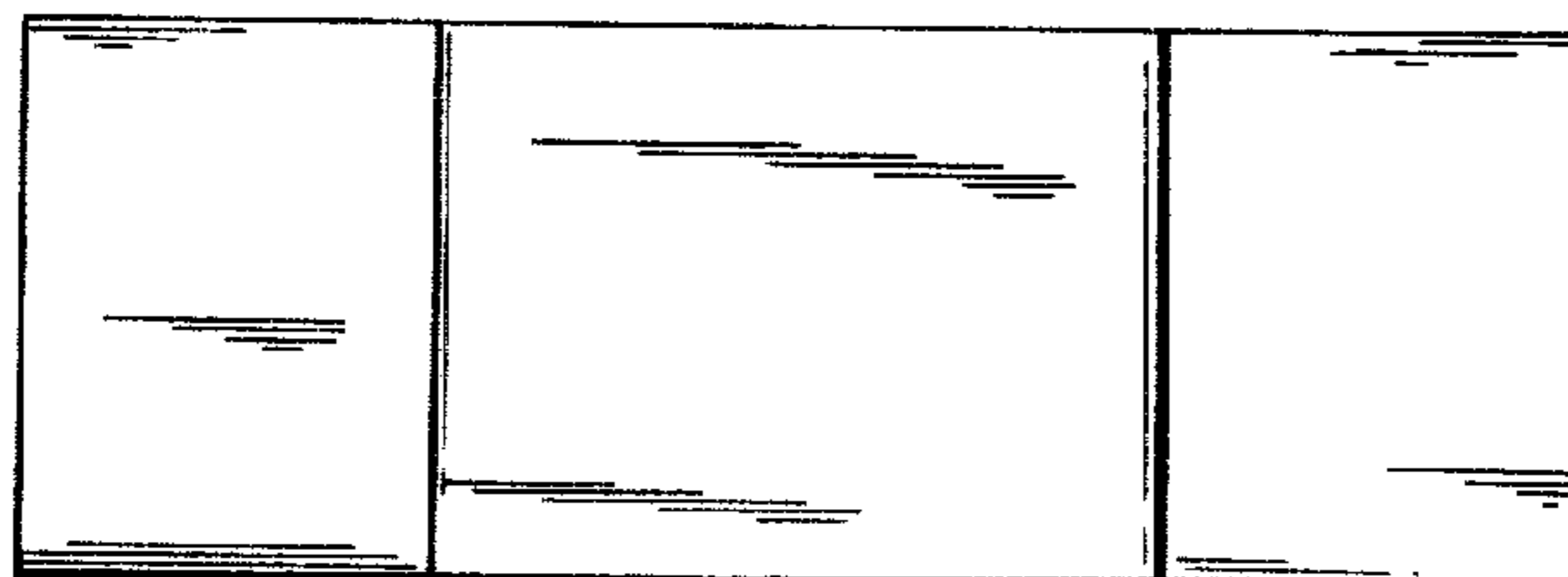


FIG. 5