

[54] COMBINED PAPER TOWEL HOLDER AND SHELF

[76] Inventor: James E. Duggan, 1991 Dellwood Dr., Atlanta, Ga. 30309

[**] Term: 14 Years

[21] Appl. No.: 125,561

[22] Filed: Feb. 28, 1980

[51] Int. Cl. D23-02; D6-04

[52] U.S. Cl. D6/91; D6/96; D6/132

[58] Field of Search D6/86-104, D6/132, 116, 118; 211/13, 16, 87, 88, 105.1, 123, 124; 242/55.2, 55.53, 55.54, 55.55; 108/29-31, 42, 152, 182

[56]

References Cited

U.S. PATENT DOCUMENTS

D. 81,962	9/1930	Evans	D6/116
D.141,424	5/1945	Lewis	D6/99
D. 143,595	1/1946	Johnson	D6/91
D. 210,671	4/1968	Jablonski	D6/132
D. 253,503	11/1977	Albert	D6/99
439,019	10/1890	Lightburne, Jr.	211/16
1,667,657	4/1928	Dobert	D6/114

Primary Examiner—B. J. Bullock

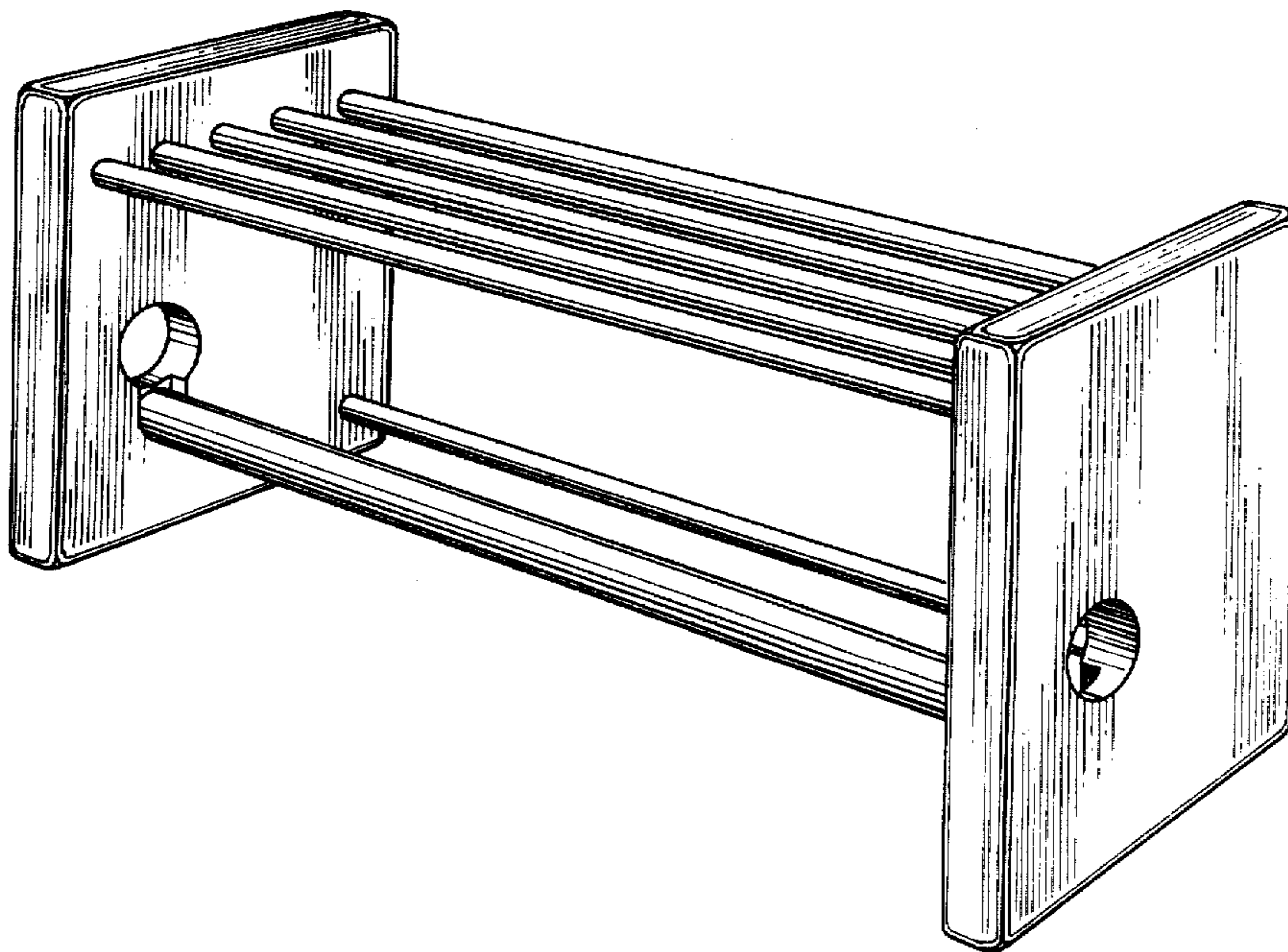
[57]

CLAIM

The ornamental design for a combined paper towel holder and shelf, as shown.

DESCRIPTION

The sole FIGURE is a perspective view of a combined paper towel holder and shelf showing my new design.



U.S. Patent

Jul. 13, 1982

Des. 265,360

