

[54] DISPLAY STAND

[75] Inventor: John H. Malven, Palos Verdes Estates, Calif.

[73] Assignee: Jack Malven Corporation, El Segundo, Calif.

[**] Term: 14 Years

[21] Appl. No.: 164,713

[22] Filed: Jun. 30, 1980

[51] Int. Cl. D6-06

[52] U.S. Cl. D6/85; D6/27; D6/146

[58] Field of Search D6/1, 20, 27, 85, 146, D6/177, 178, 4, 179, 36, 191, 194; D7/11, 22; D11/131, 157, 143; D9/388, 414, 431, 432; 108/150

[56] References Cited

U.S. PATENT DOCUMENTS

- D. 222,309 10/1971 Ellingson et al. D6/85
- D. 226,890 5/1973 Neville D6/177
- D. 229,589 12/1973 Gregorutti D6/4
- D. 236,668 9/1975 Mudde D6/177

1,395,419 11/1921 Hutchins 108/150

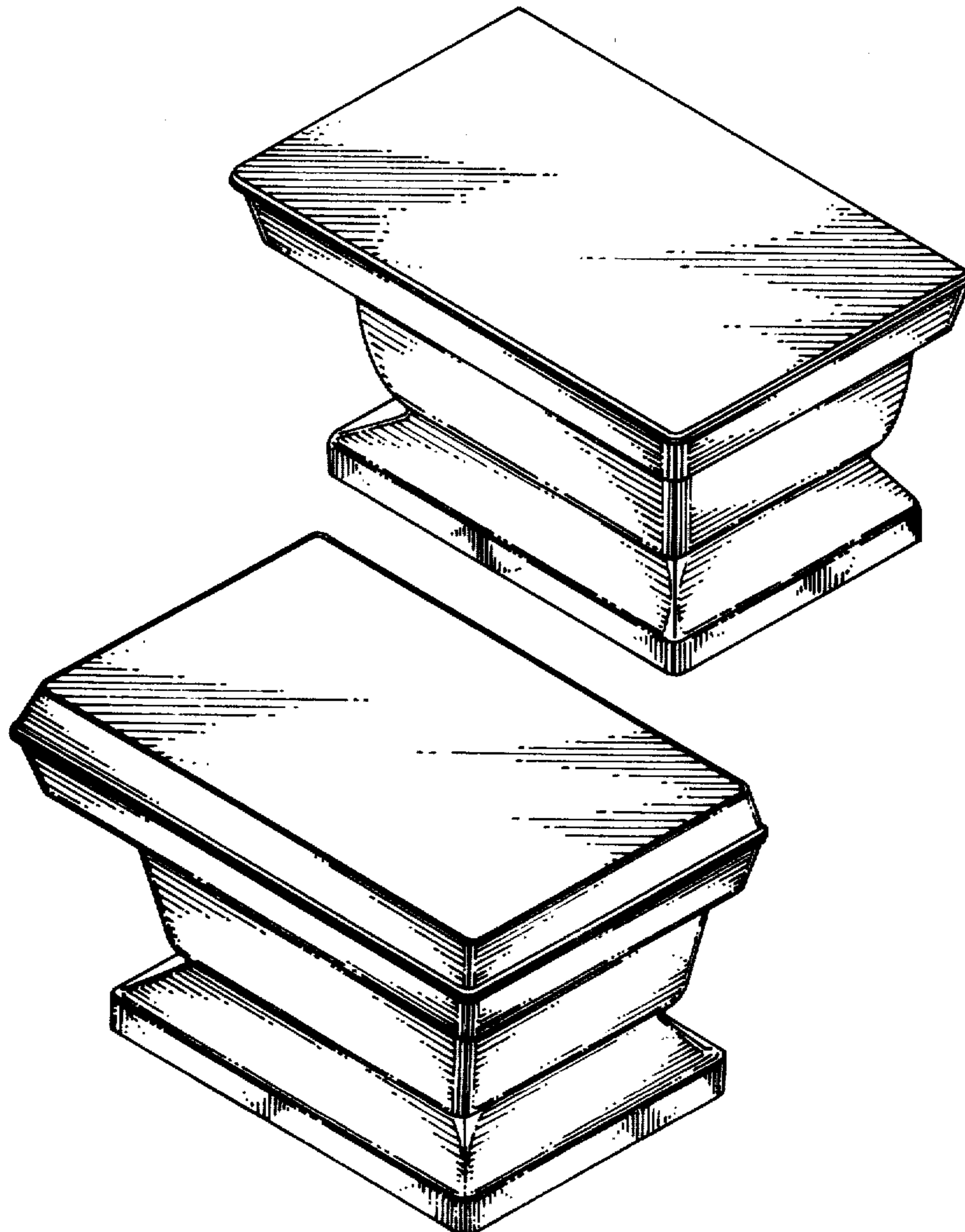
Primary Examiner—Joel Stearman
Assistant Examiner—Carmen H. Vales
Attorney, Agent, or Firm—Nilsson, Robbins, Dalgarn, Berliner, Carson & Wurst

[57] CLAIM

The ornamental design for a display stand, substantially as shown and described.

DESCRIPTION

FIG. 1 is a reduced perspective view of a display stand showing my new design;
 FIG. 2 is a top plan view thereof;
 FIG. 3 is a front elevational view thereof;
 FIG. 4 is a side elevational view, the opposite side being a mirror image thereof;
 FIG. 5 is a reduced perspective view of second embodiment of the display stand shown in FIG. 1;
 FIG. 6 is a top plan view thereof;
 FIG. 7 is a front elevational view thereof;
 FIG. 8 is a side elevational view, the opposite side being a mirror image thereof;
 FIG. 9 is a top plan view of a third embodiment of the display stand shown in FIG. 1.
 FIG. 10 is an elevational view thereof.



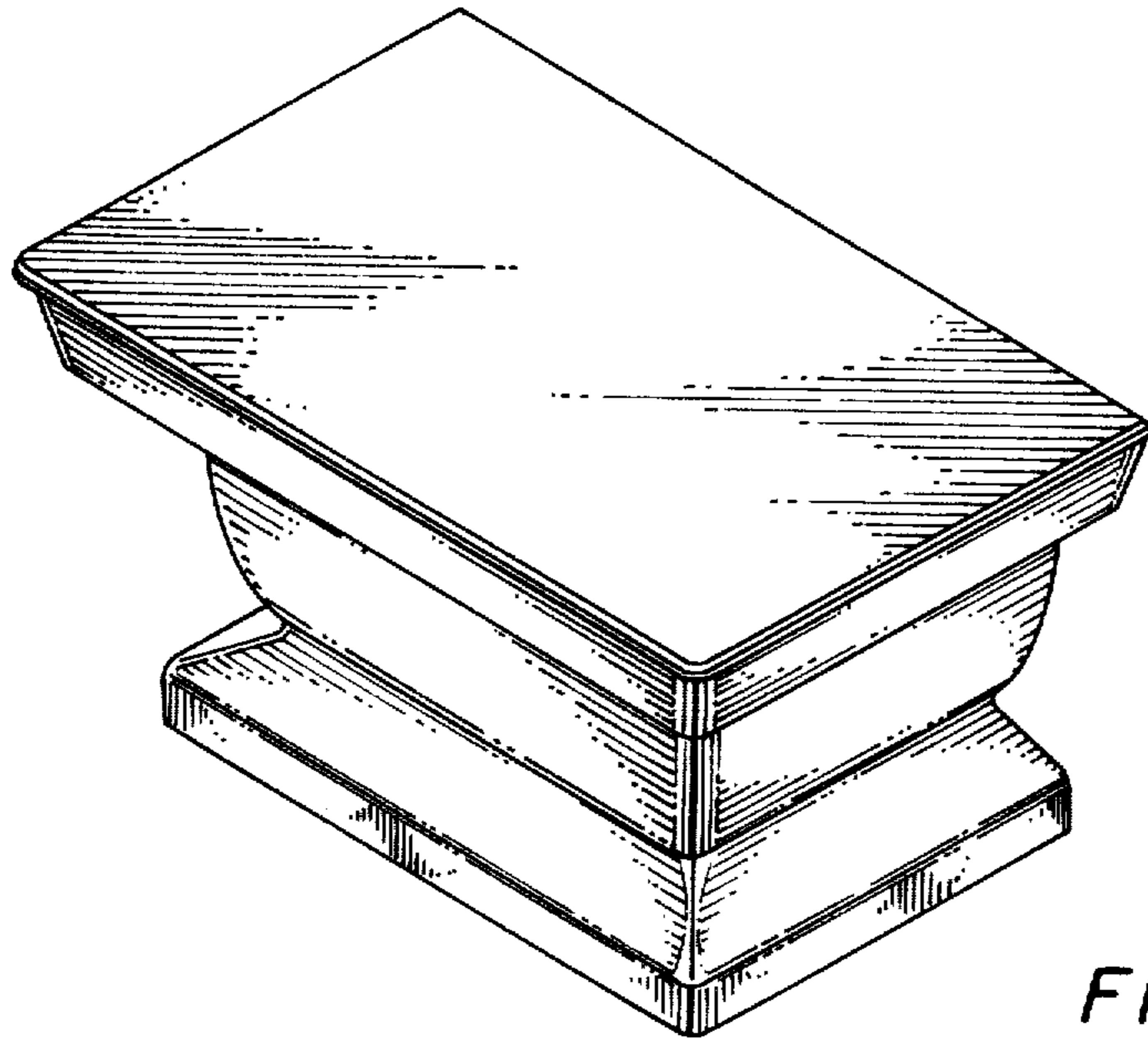


FIG. 1

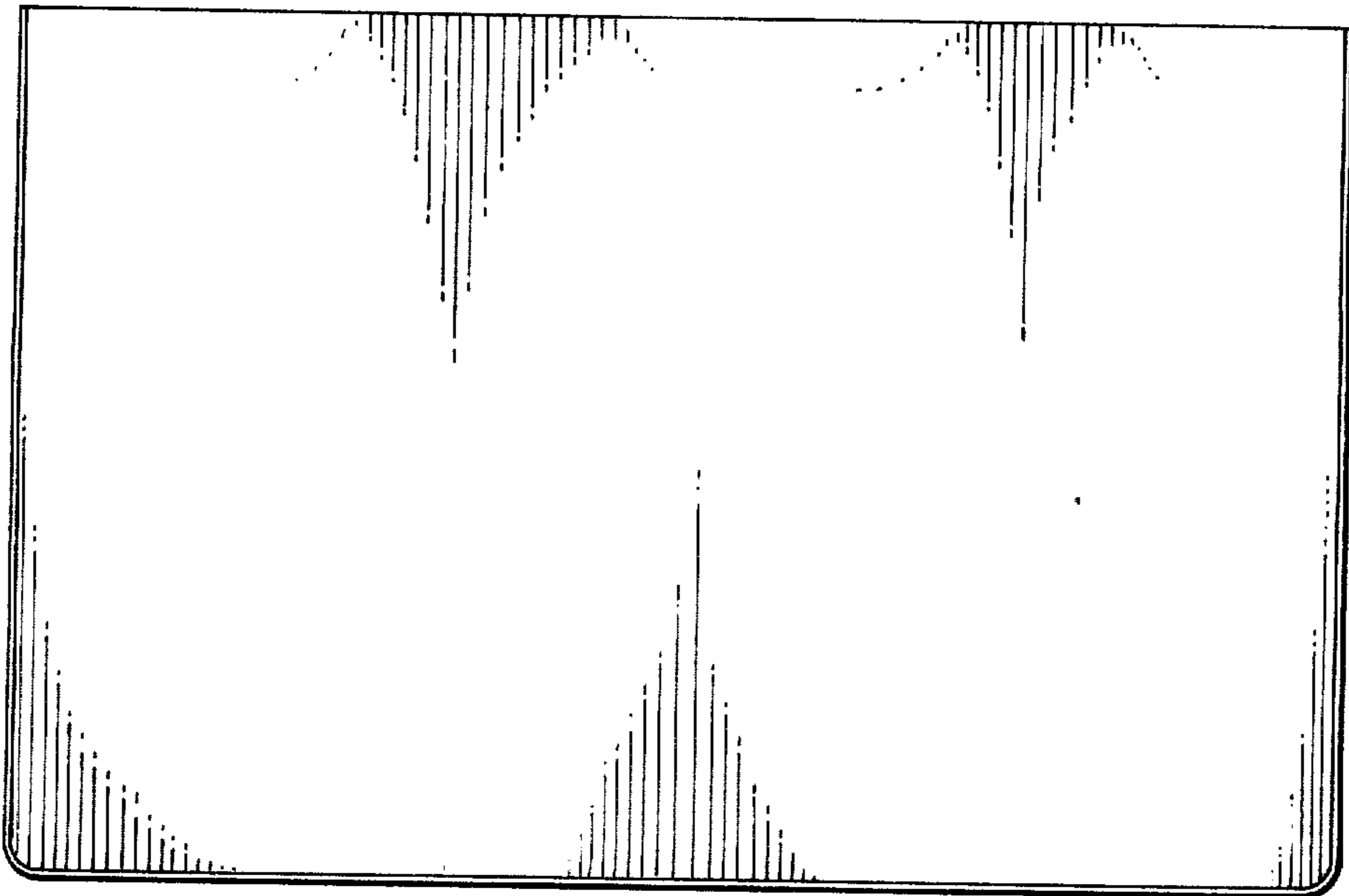


FIG. 2

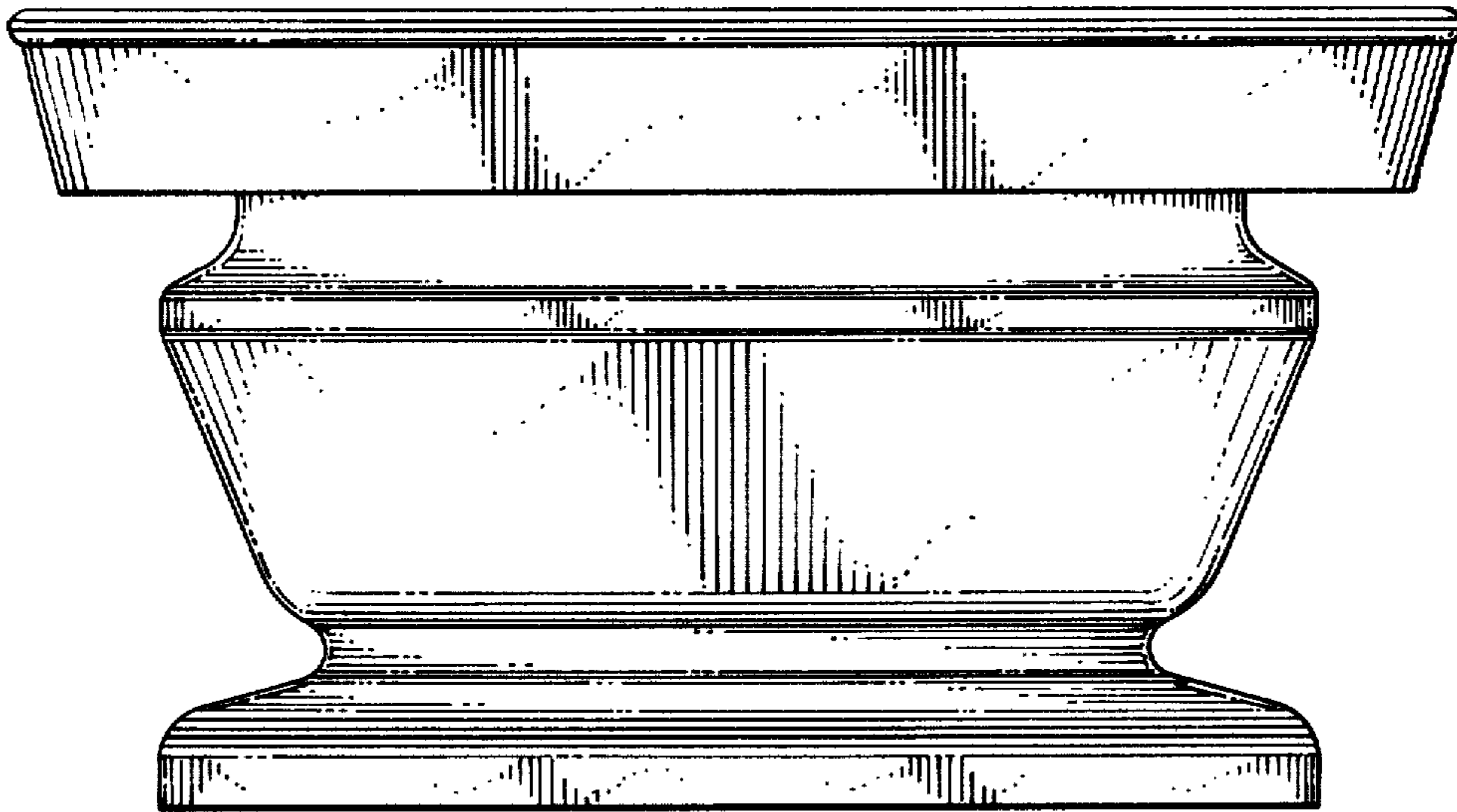


FIG. 3

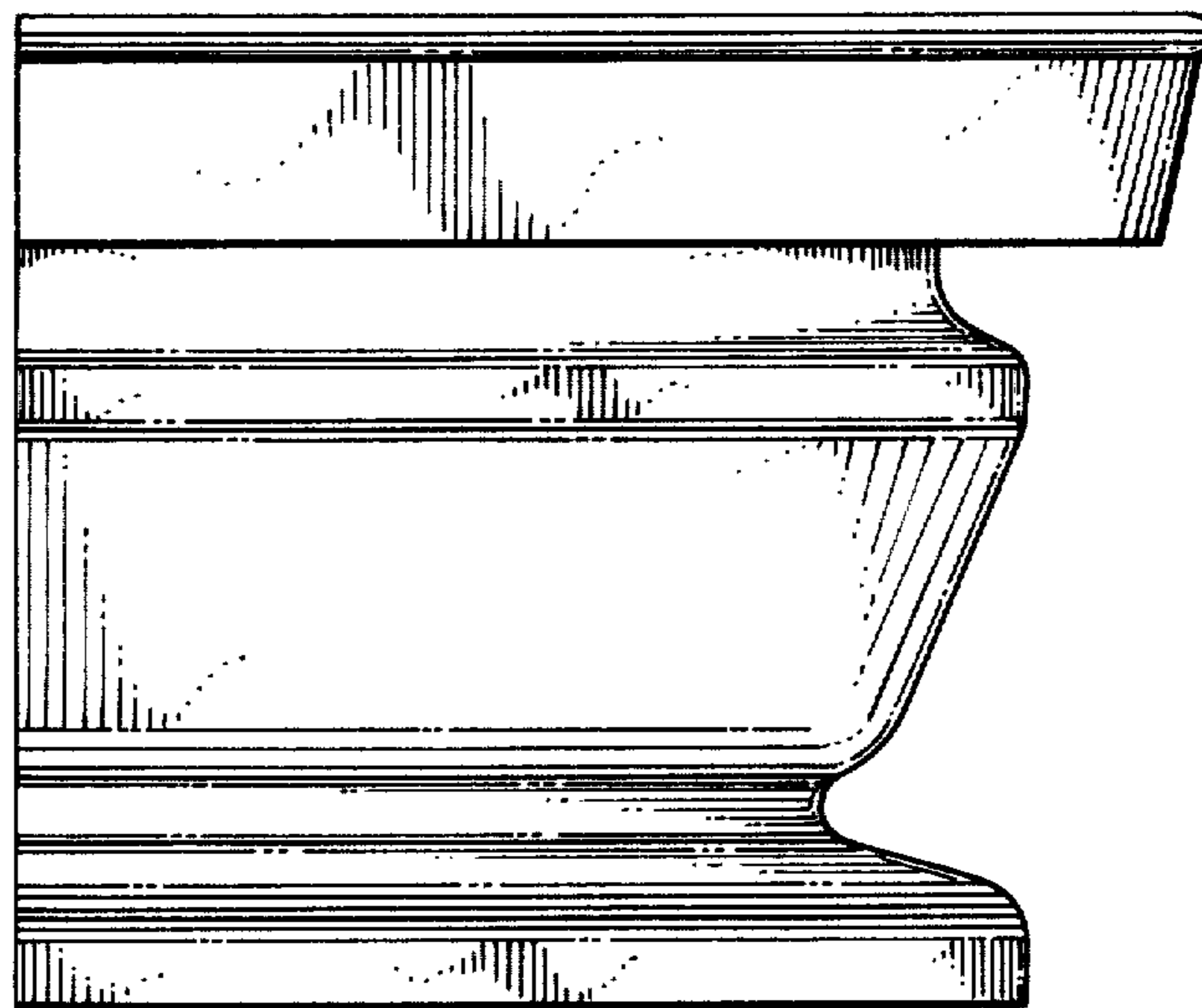


FIG. 4

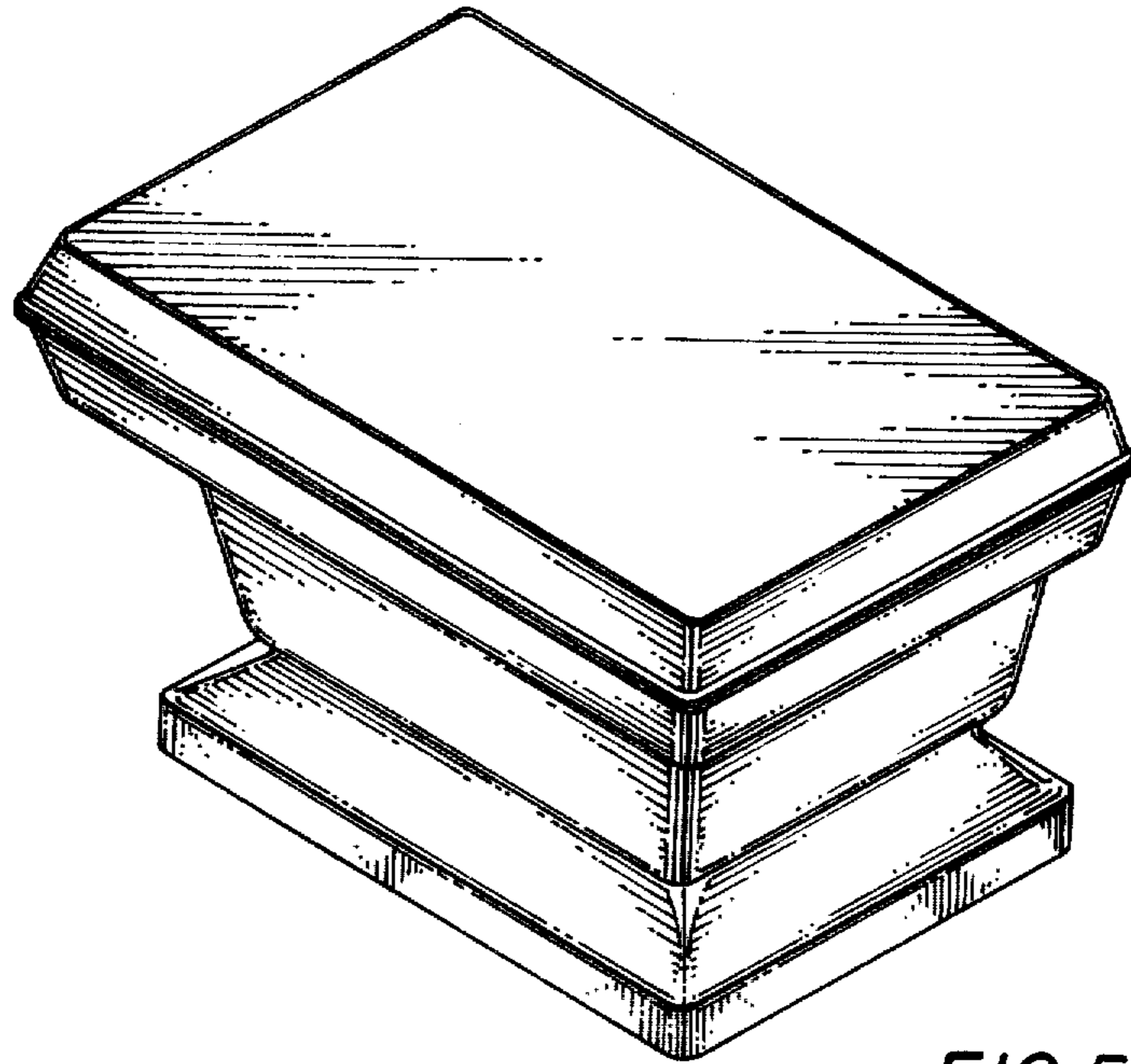


FIG. 5

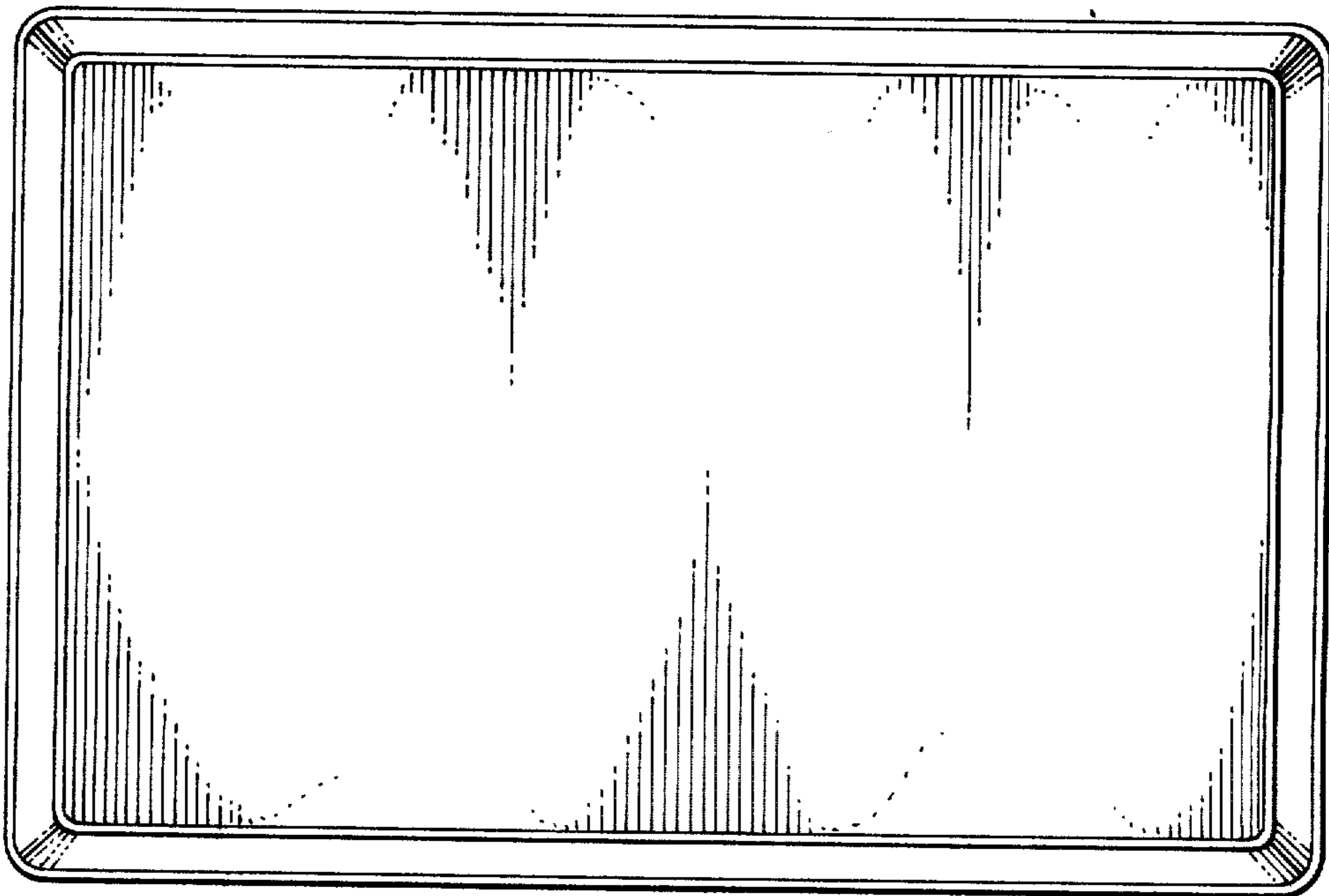


FIG. 6



FIG. 7

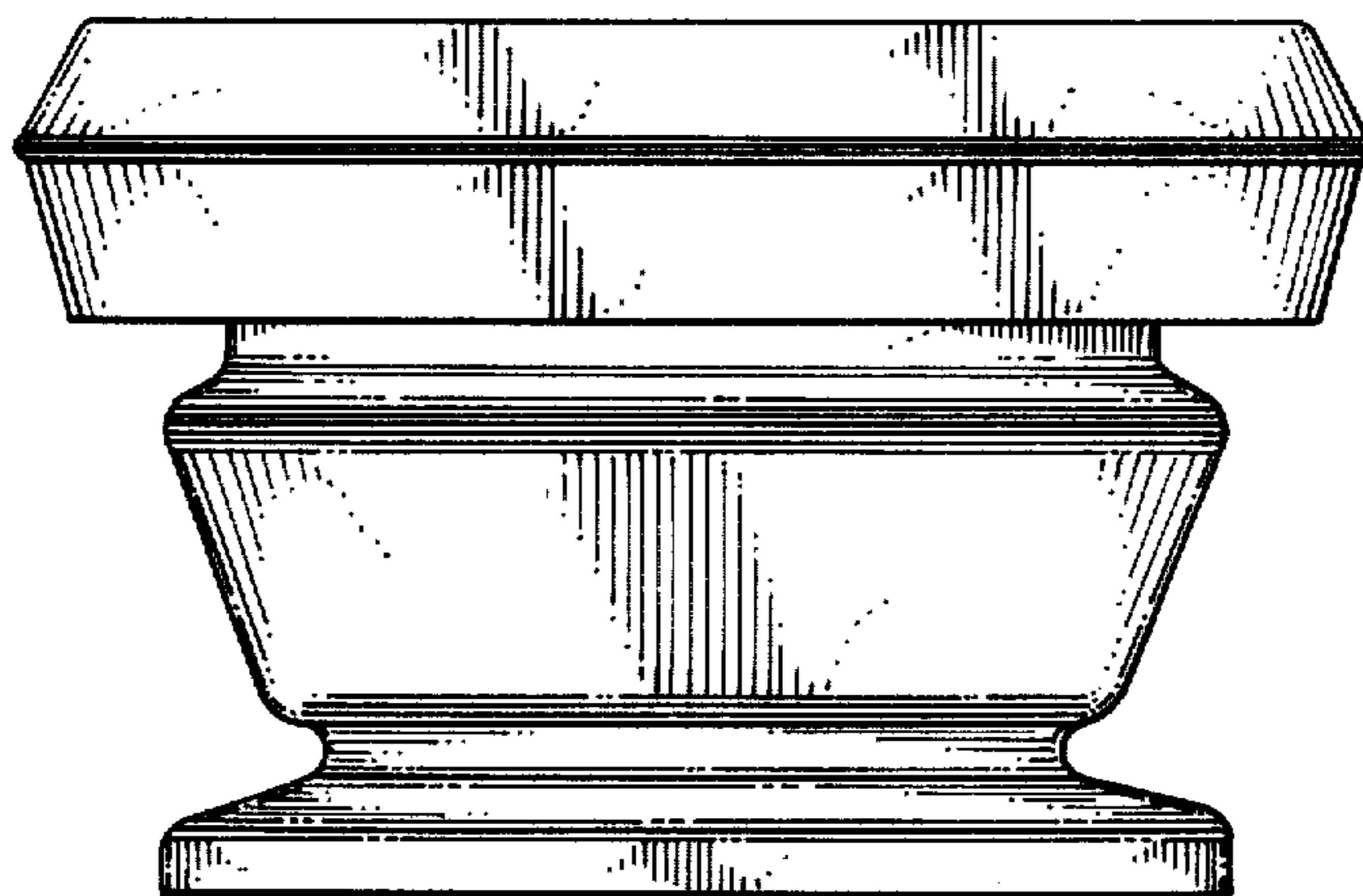


FIG. 8

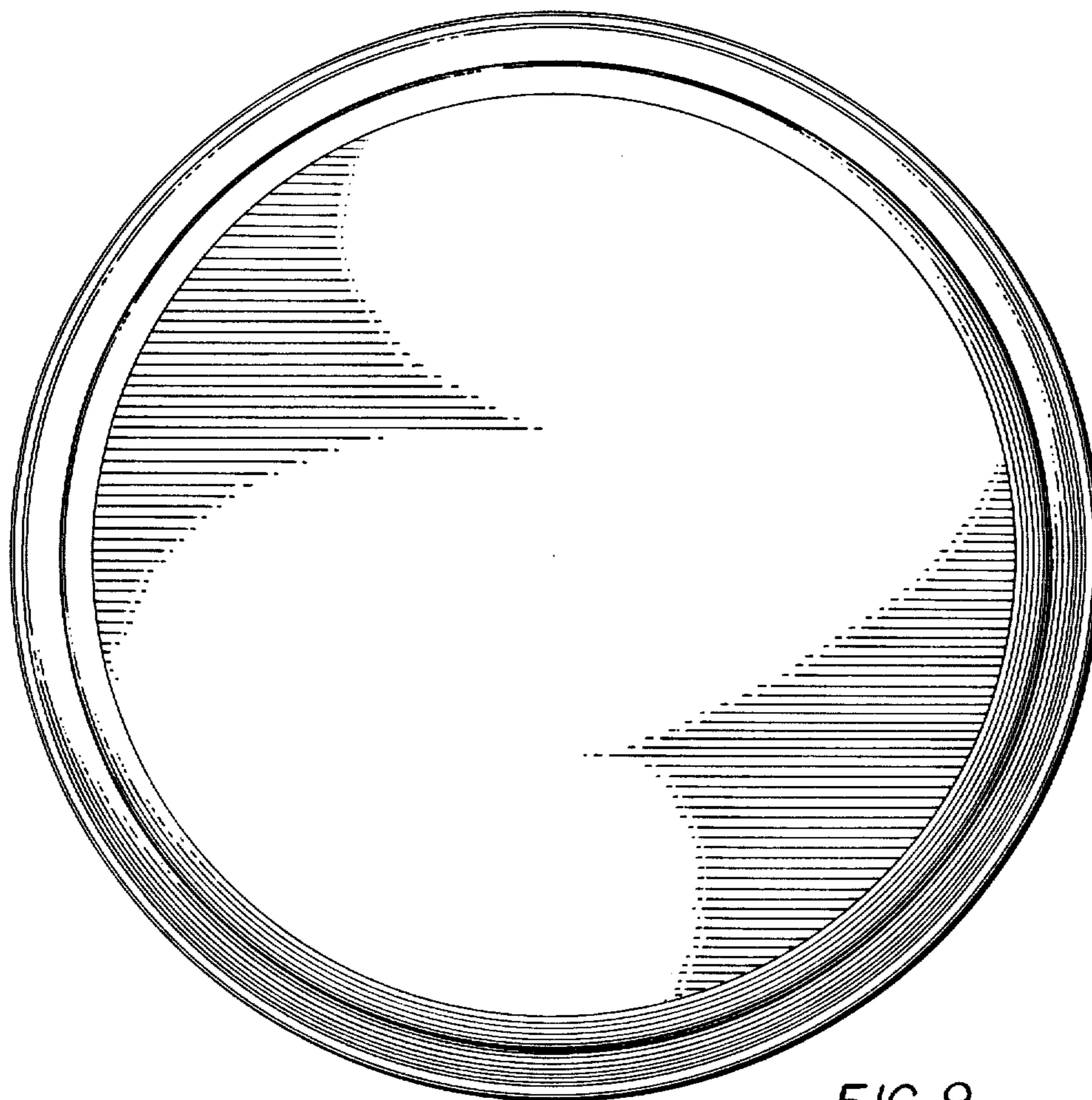


FIG. 9

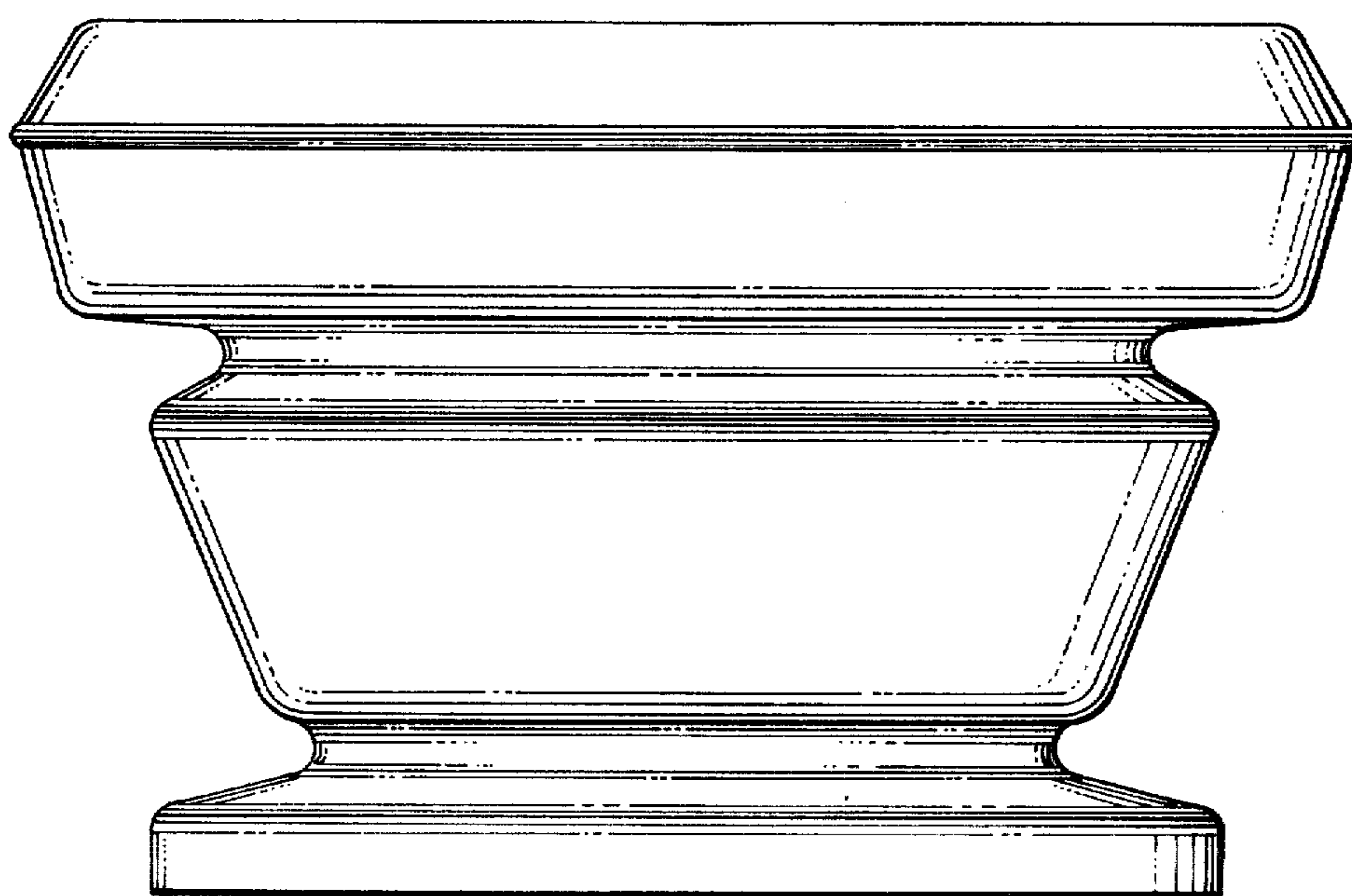


FIG. 10