

[54] APPAREL DISPLAY RACK

[76] Inventor: John A. Rekow, 6130 SW. Taylors Ferry Rd., Portland, Oreg. 97219

[**] Term: 14 Years

[21] Appl. No.: 109,647

[22] Filed: Jan. 4, 1980

[51] Int. Cl. D20-02

[52] U.S. Cl. D6/85

[58] Field of Search D6/1, 85, 99, 100, 157; 211/1, 182, 206, 8

[56] References Cited

PUBLICATIONS

Display World, Mar. 1970, p. 3; Clothes Rack "D" bottom left of page.

"High Styling Display Fixtures" by Ferrocraft, Catalog #79 ©1979, p. 4, Multi-Purpose Unit #MP-1. Visual Merchandising, Jun. 1977, p. 34; "Levin Fixture", top right of page.

Primary Examiner—Joel Stearman
Assistant Examiner—Carmen H. Vales
Attorney, Agent, or Firm—James D. Givnan, Jr.

[57] CLAIM

The ornamental design for an apparel display rack, as shown and described.

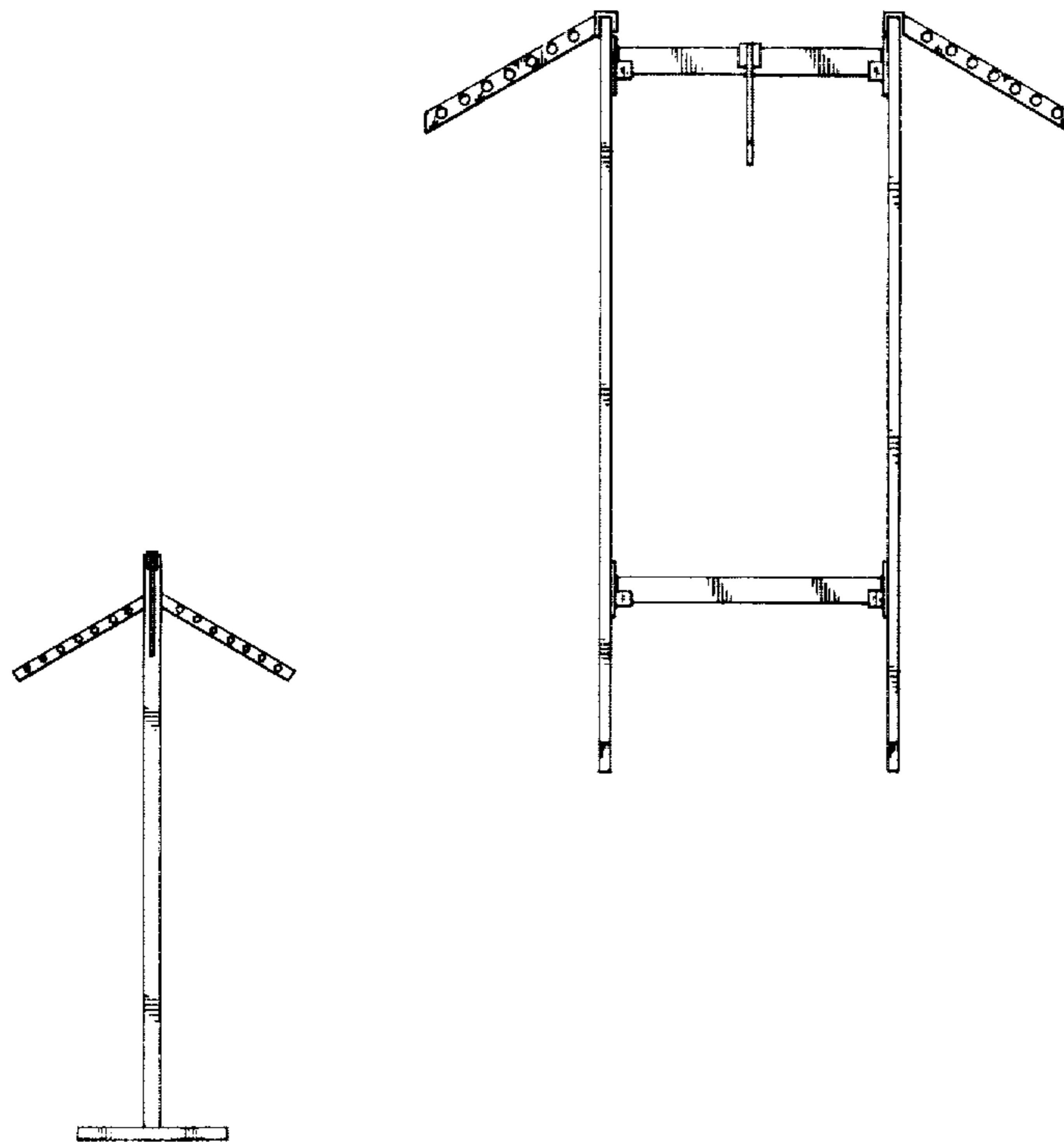
DESCRIPTION

FIG. 1 is a front elevational view of an apparel display rack, showing my new design, the rear elevational view being a mirror image thereof;

FIG. 2 is a side elevational view thereof, the opposite side being a mirror image thereof;

FIG. 3 is a top plan view thereof; and

FIG. 4 is a bottom plan view thereof.



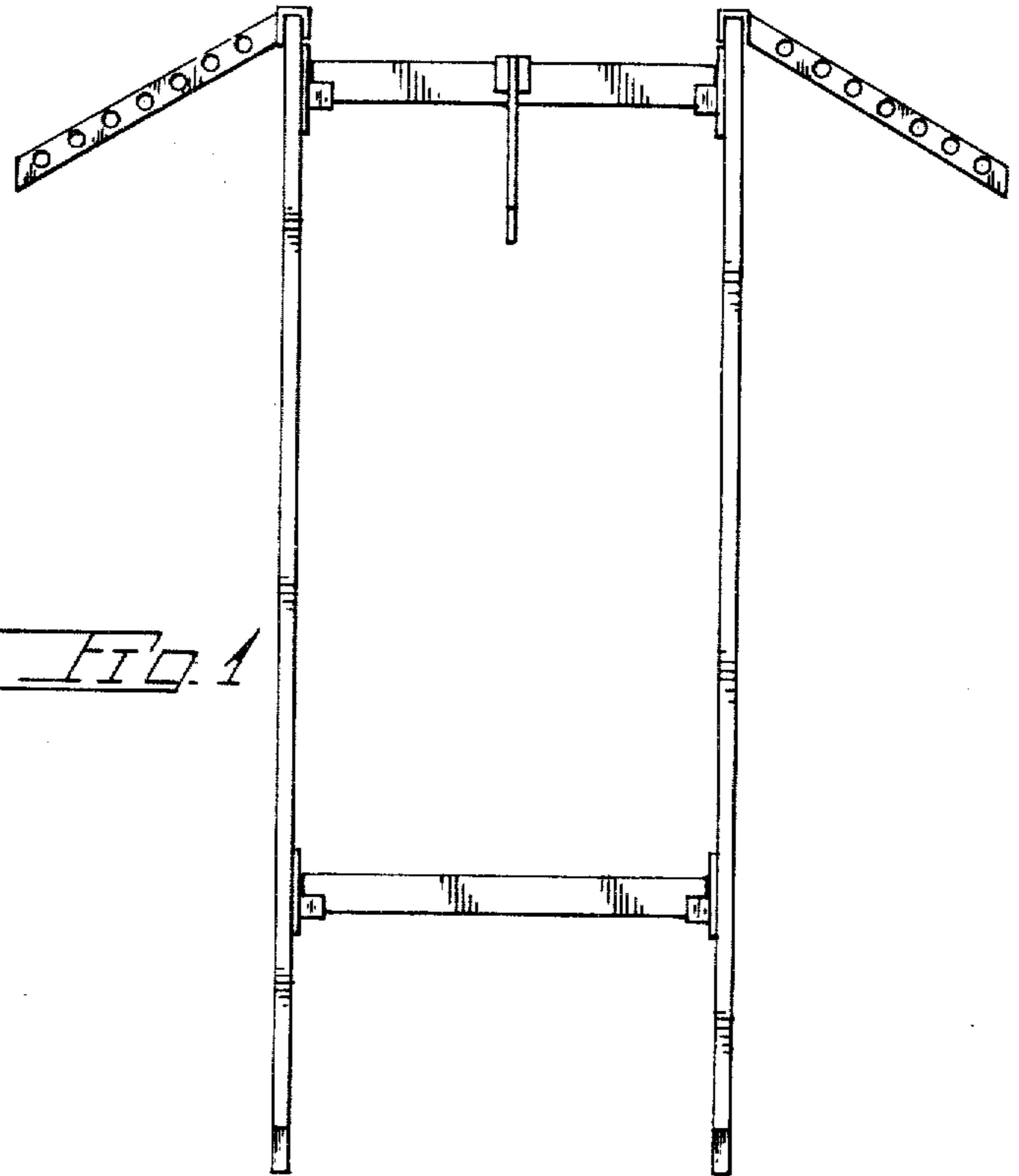


FIG. 1

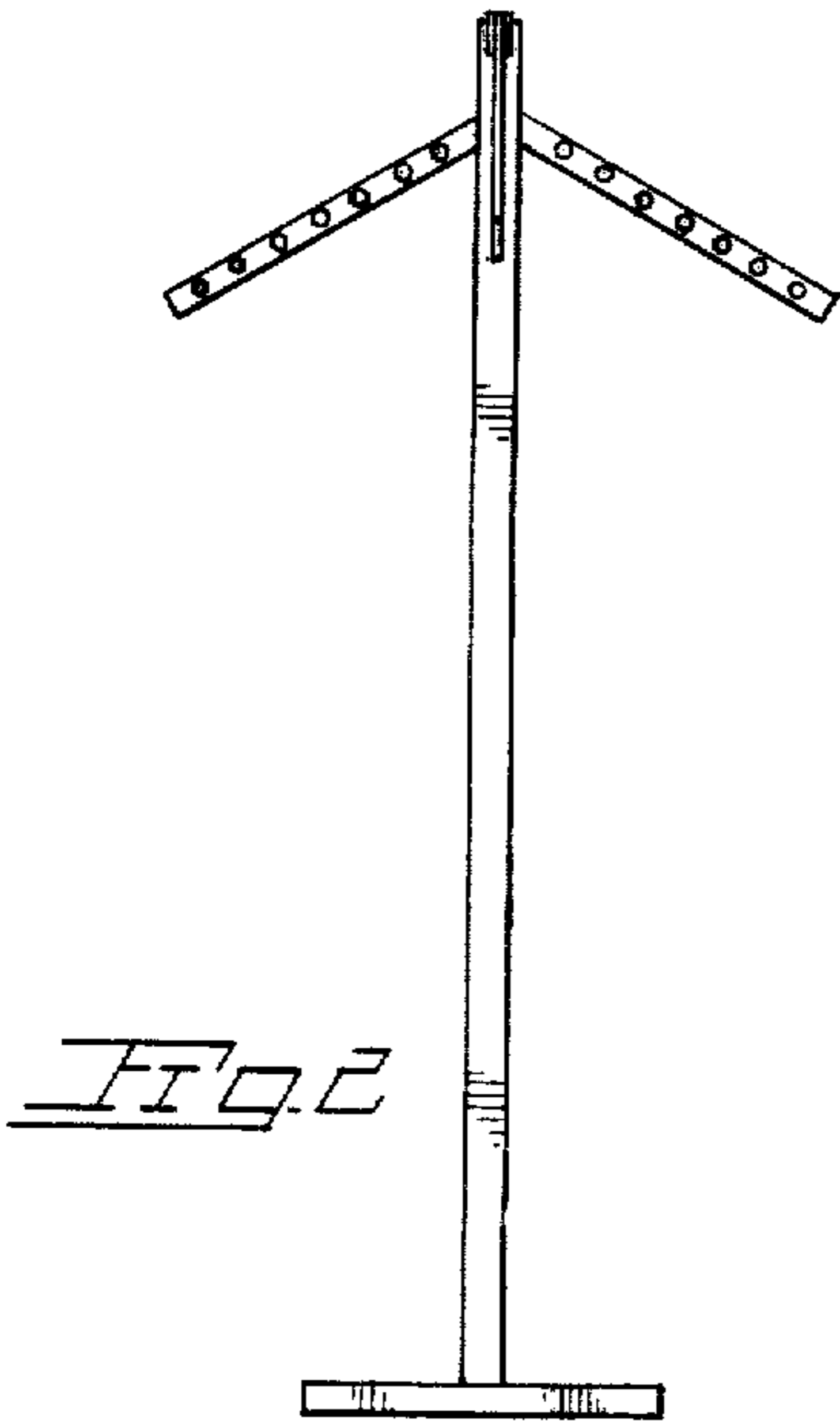


FIG. 2

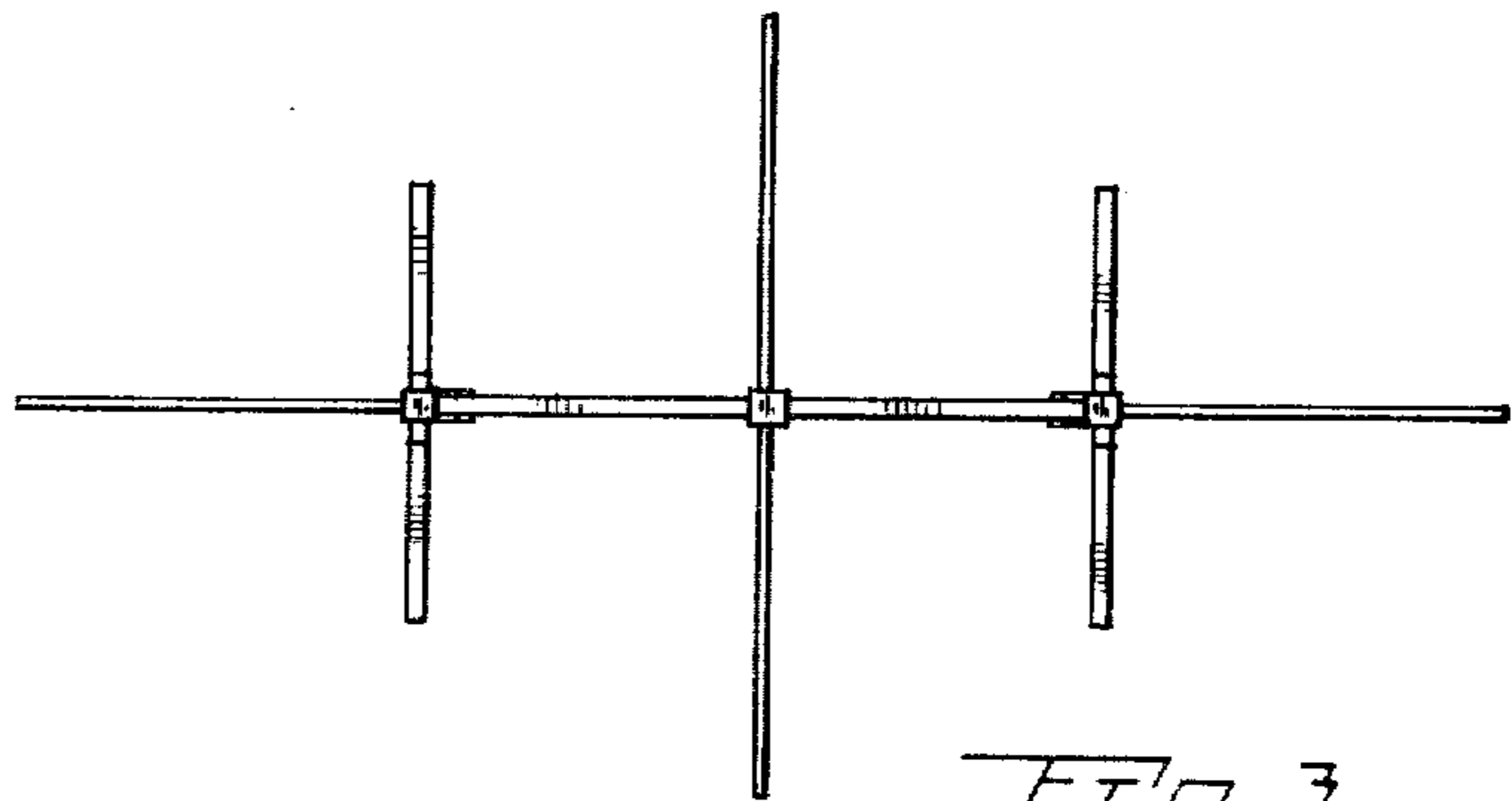


FIG. 3

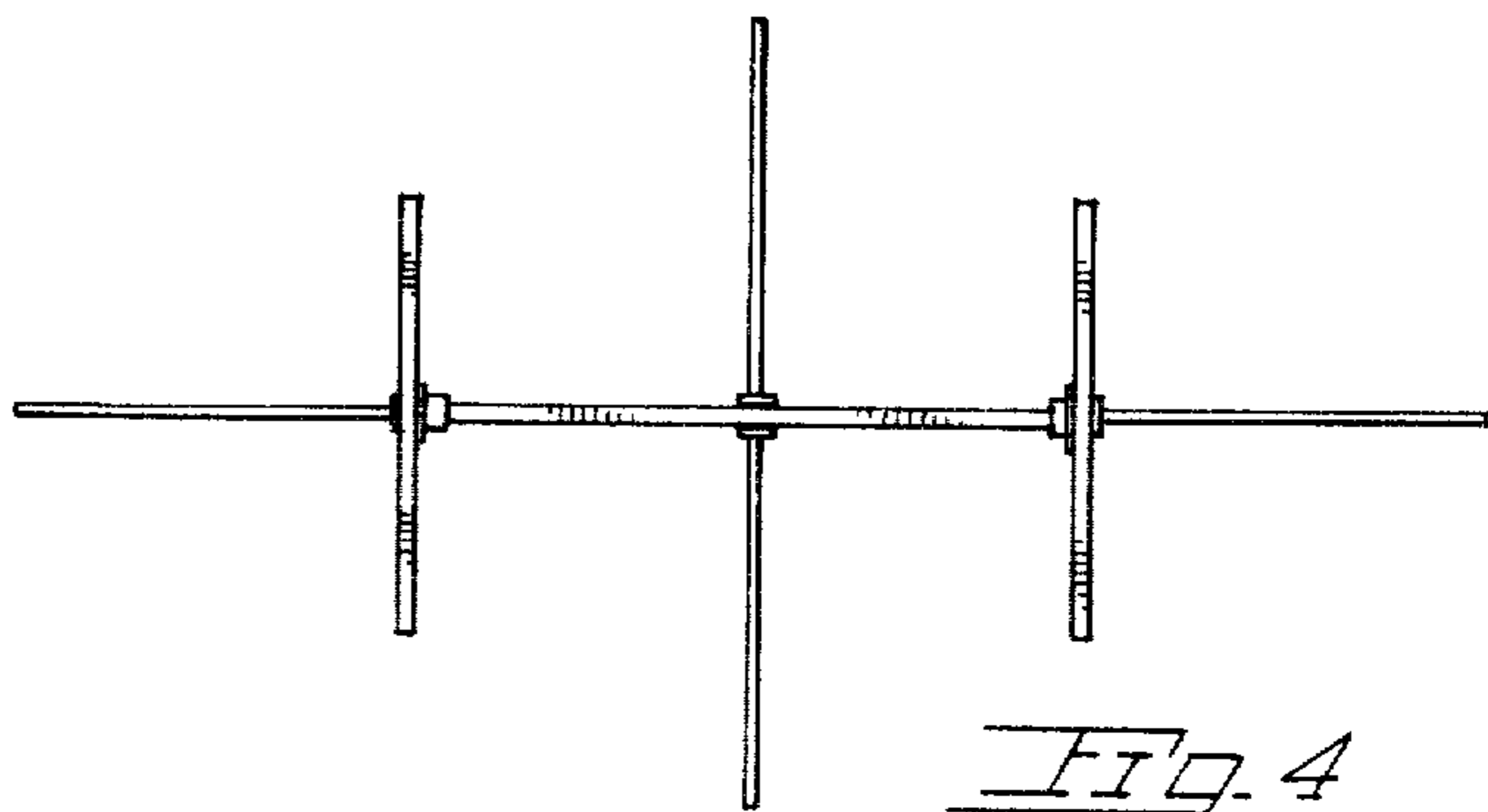


FIG. 4