

[54] SEAT

[75] Inventor: Daniel D. Wistehuff, Hickory, N.C.

[73] Assignee: Pinnacle Furniture Company, Inc.,
Claremont, N.C.

[**] Term: 14 Years

[21] Appl. No.: 141,643

[22] Filed: Apr. 18, 1980

[51] Int. Cl. D6-01

[52] U.S. Cl. D6/71; D6/62;
D6/63; D6/68

[58] Field of Search D6/26, 37-39,
D6/47-78

[56] References Cited

U.S. PATENT DOCUMENTS

D. 237,435	11/1975	Kaplan	D6/63
D. 244,650	6/1977	Null	D6/68
D. 261,079	10/1981	Collins	D6/63

OTHER PUBLICATIONS

Crestline Cat., vol. XX, 1976, p. 5, Chair No. 38825.

Primary Examiner—Bruce W. Dunkins

Attorney, Agent, or Firm—Bell, Seltzer, Park & Gibson

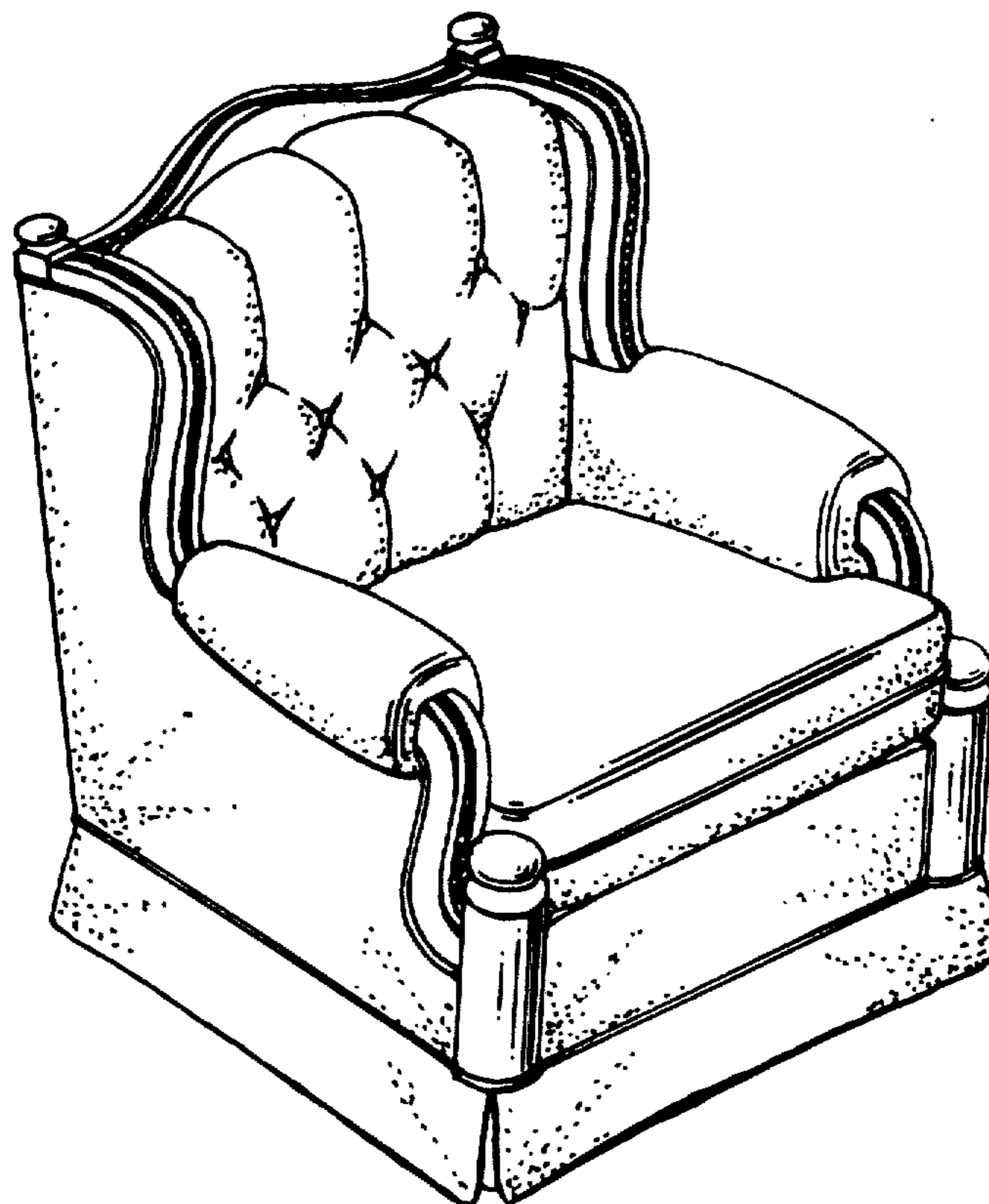
[57] CLAIM

The ornamental design for a seat, as shown and described.

DESCRIPTION

FIG. 1 is a front perspective view of a seat showing my new design incorporated in a chair;
FIG. 2 is a front elevational view thereof;
FIG. 3 is a side elevational view thereof;
FIG. 4 is a front perspective view of a seat showing my new design incorporated in a sofa; and
FIG. 5 is a front perspective view of a seat showing my new design incorporated in a love seat.

The backs of the three embodiments are plain and conventional while the sides not shown are mirror images of the sides shown.



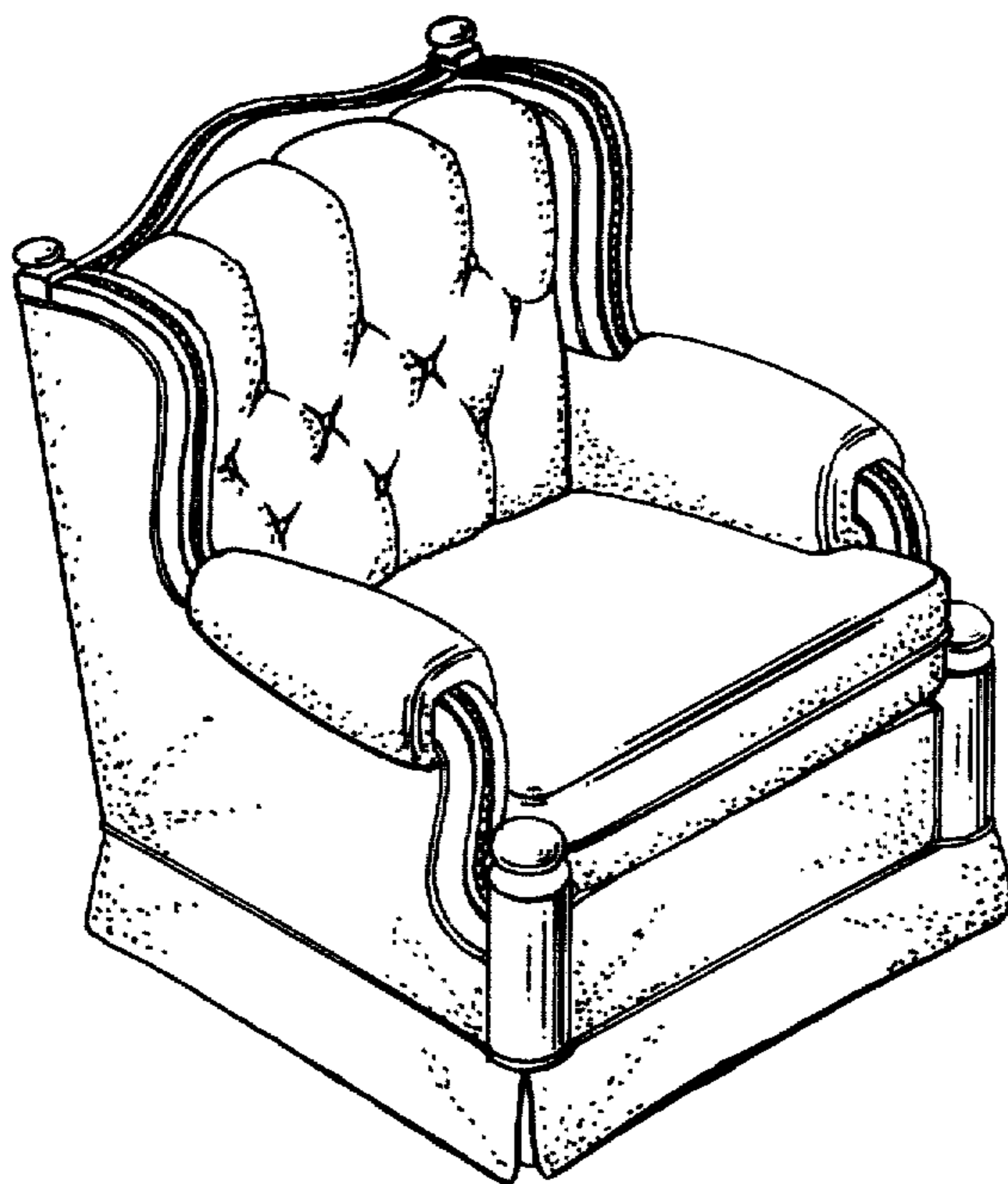


FIG-1

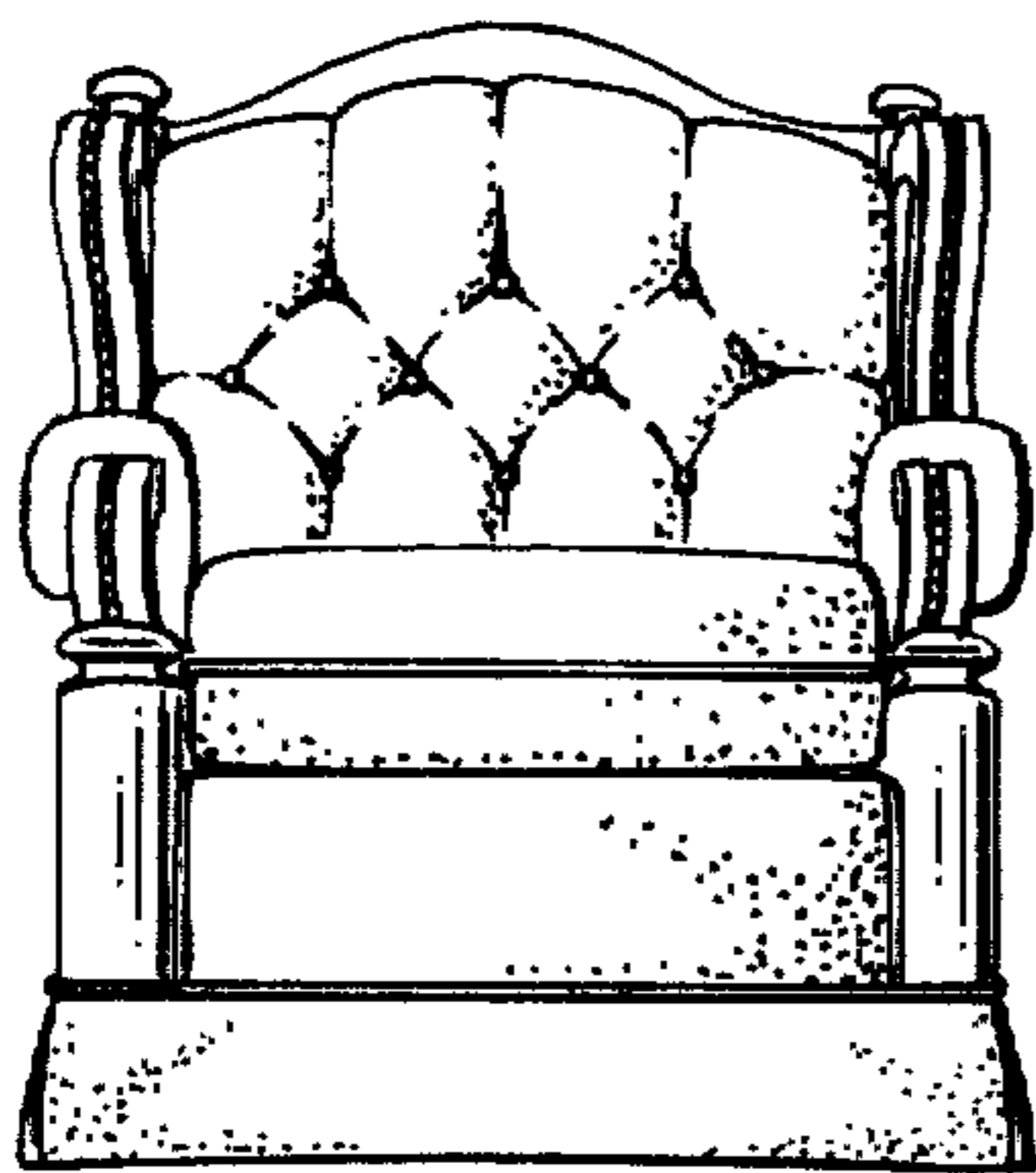


FIG-2

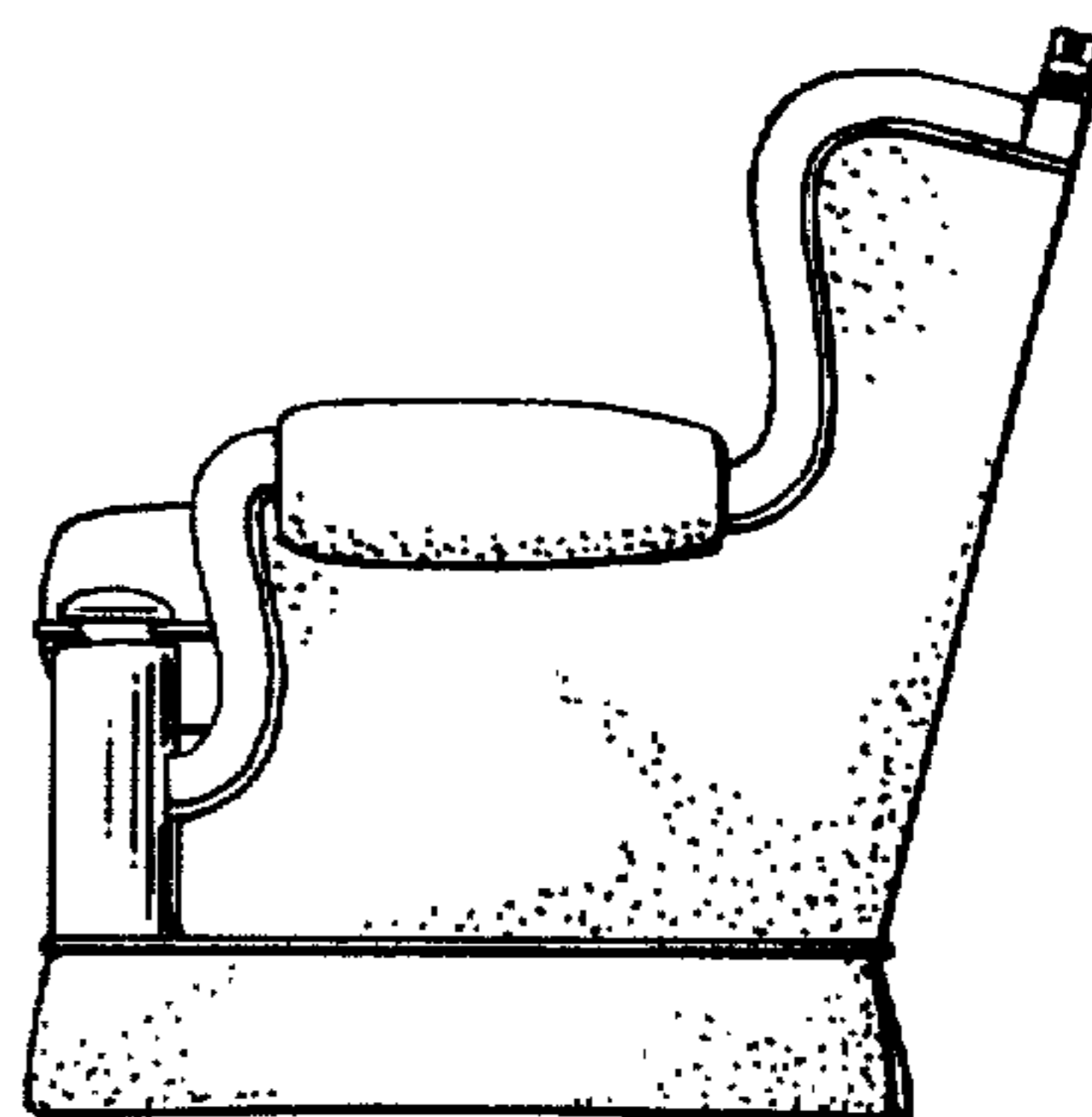


FIG-3

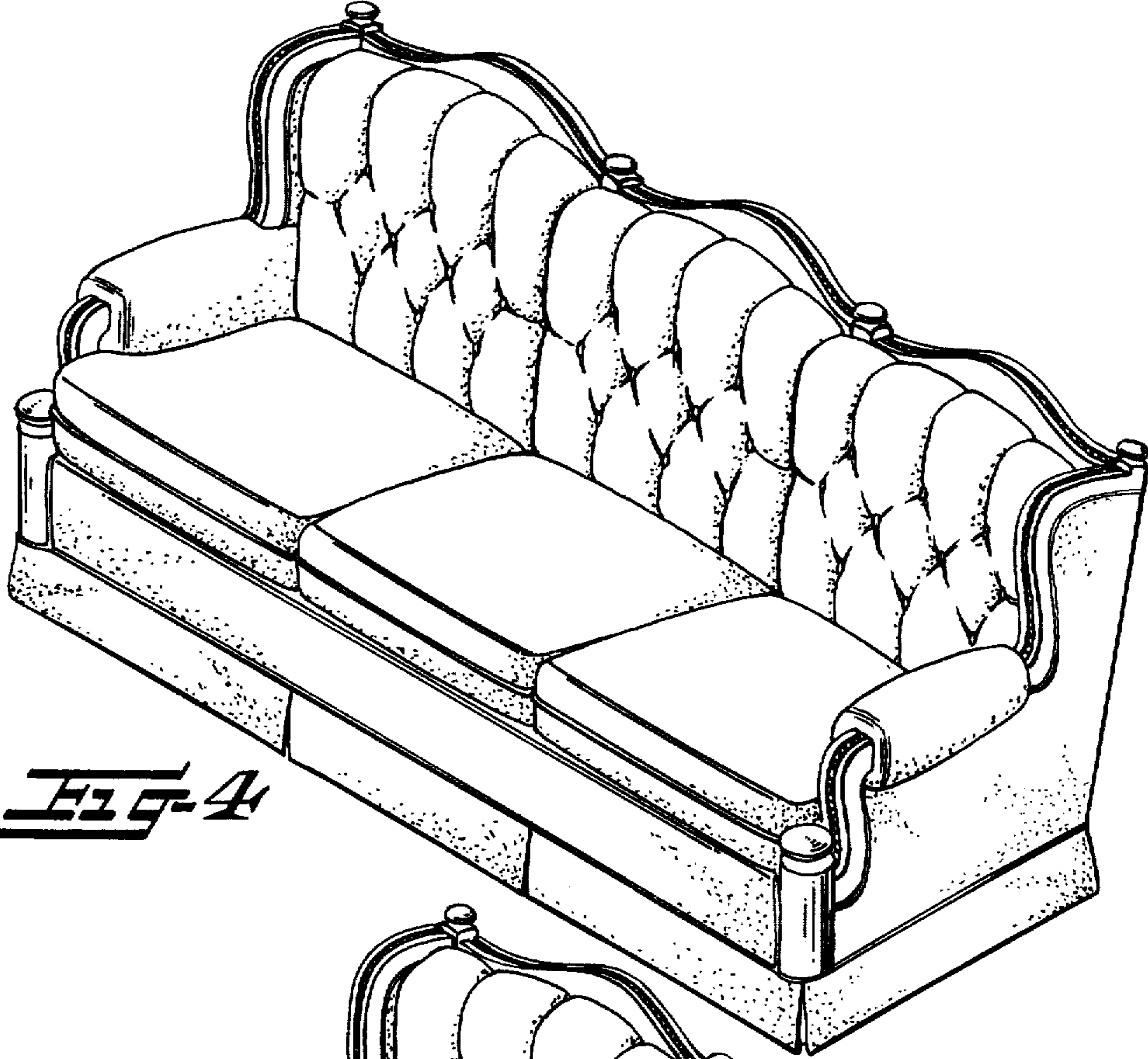


FIG-4

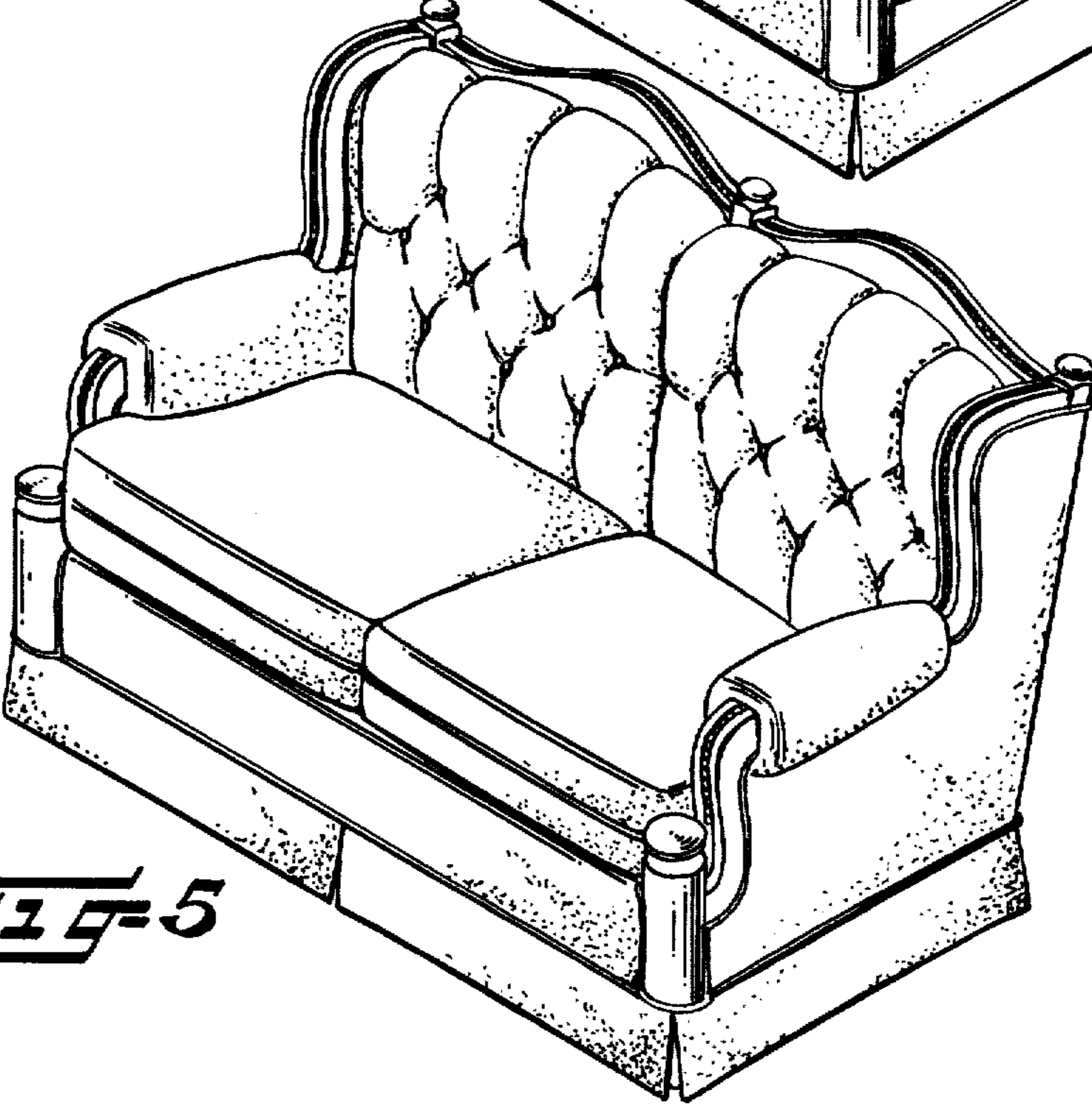


FIG-5