

[54] SOLAR ADOBE

[76] Inventor: **Ralph Mondragon**, P.O. Box 199,
Ranches of Taos, N. Mex. 87557

[**] Term: **14 Years**

[21] Appl. No.: **174,048**

[22] Filed: **Jul. 31, 1980**

[51] Int. Cl. **D25—03**

[52] U.S. Cl. **D25/33; D25/22;**
D25/30

[58] Field of Search **D25/1, 7, 17, 18, 19,**
D25/22, 23, 31, 32, 33, 30

[56] **References Cited**

U.S. PATENT DOCUMENTS

D. 246,802 12/1977 Mondragon **D25/19**
D. 250,208 11/1978 Mondragon **D25/33**

Primary Examiner—A. Hugo Word
Attorney, Agent, or Firm—James A. Wong

[57] **CLAIM**

The ornamental design for a solar adobe, as shown and described.

DESCRIPTION

FIG. 1 is a view in perspective of my design looking in the direction of arrow 1 in FIG. 2;
FIG. 2 is a plan view of my design;
FIG. 3 is a view in perspective of my design looking in the direction of arrow 3 in FIG. 2; and
FIG. 4 is a view in perspective of my design looking in the direction of arrow 4 in FIG. 2.

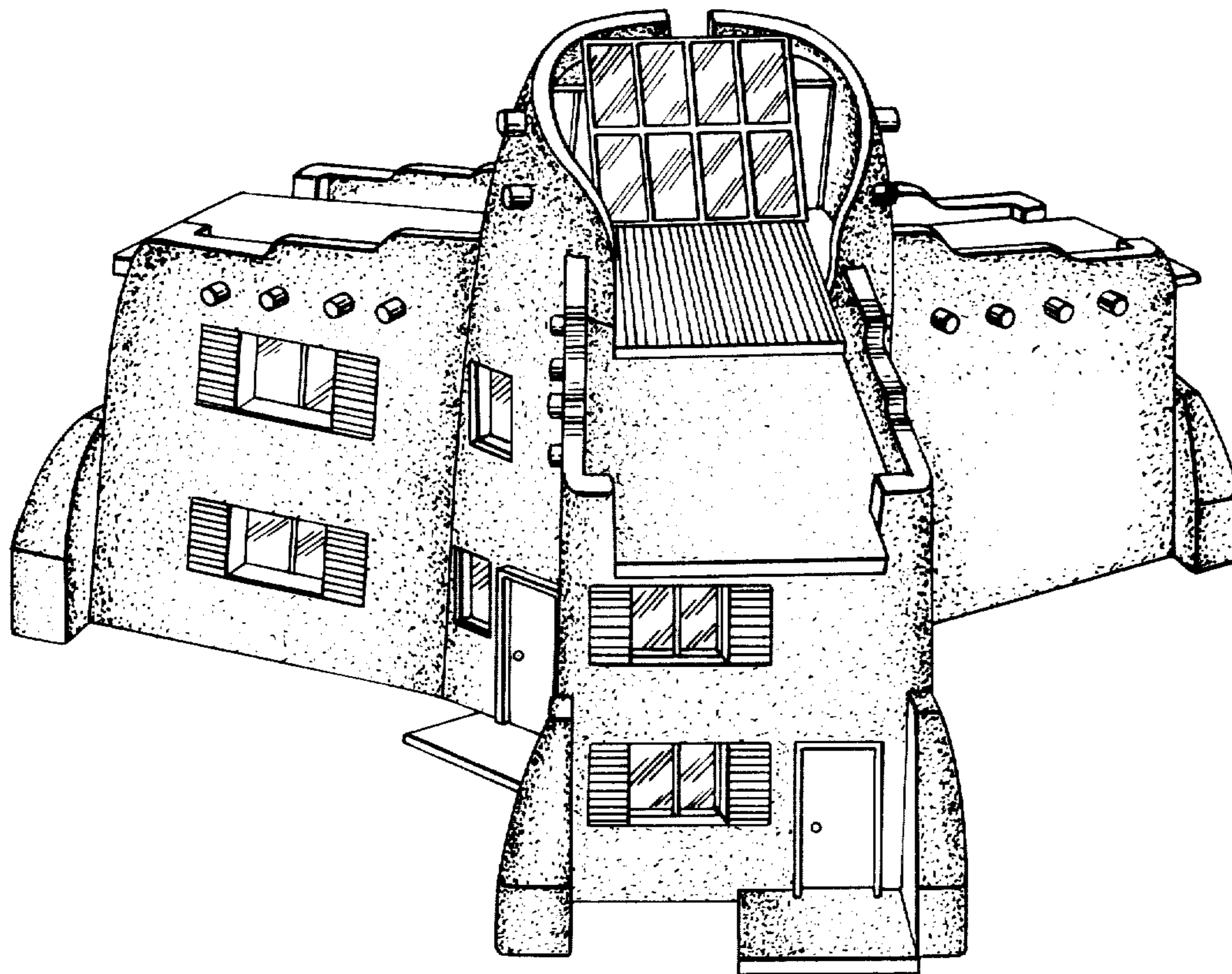


FIG. 1.

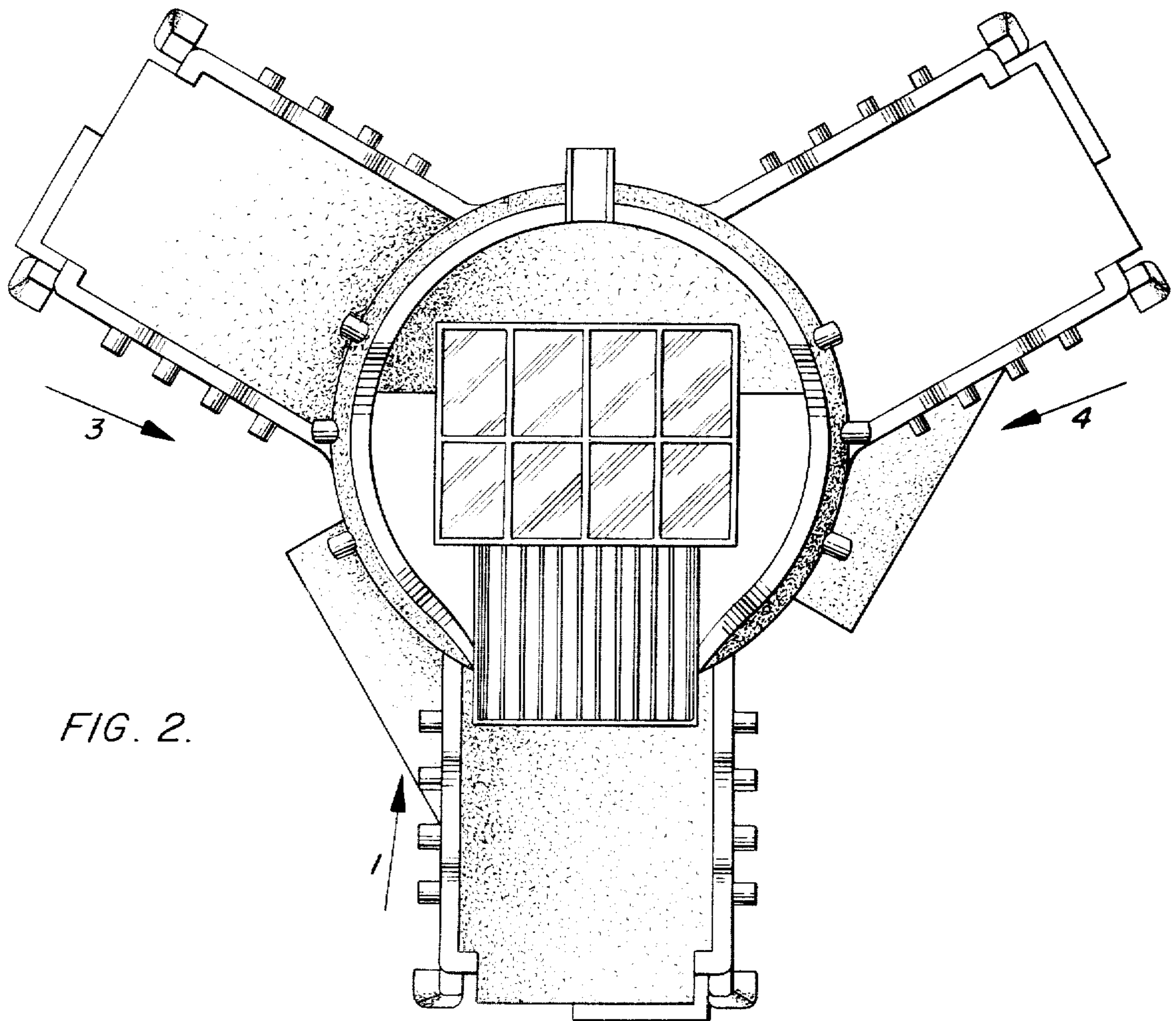
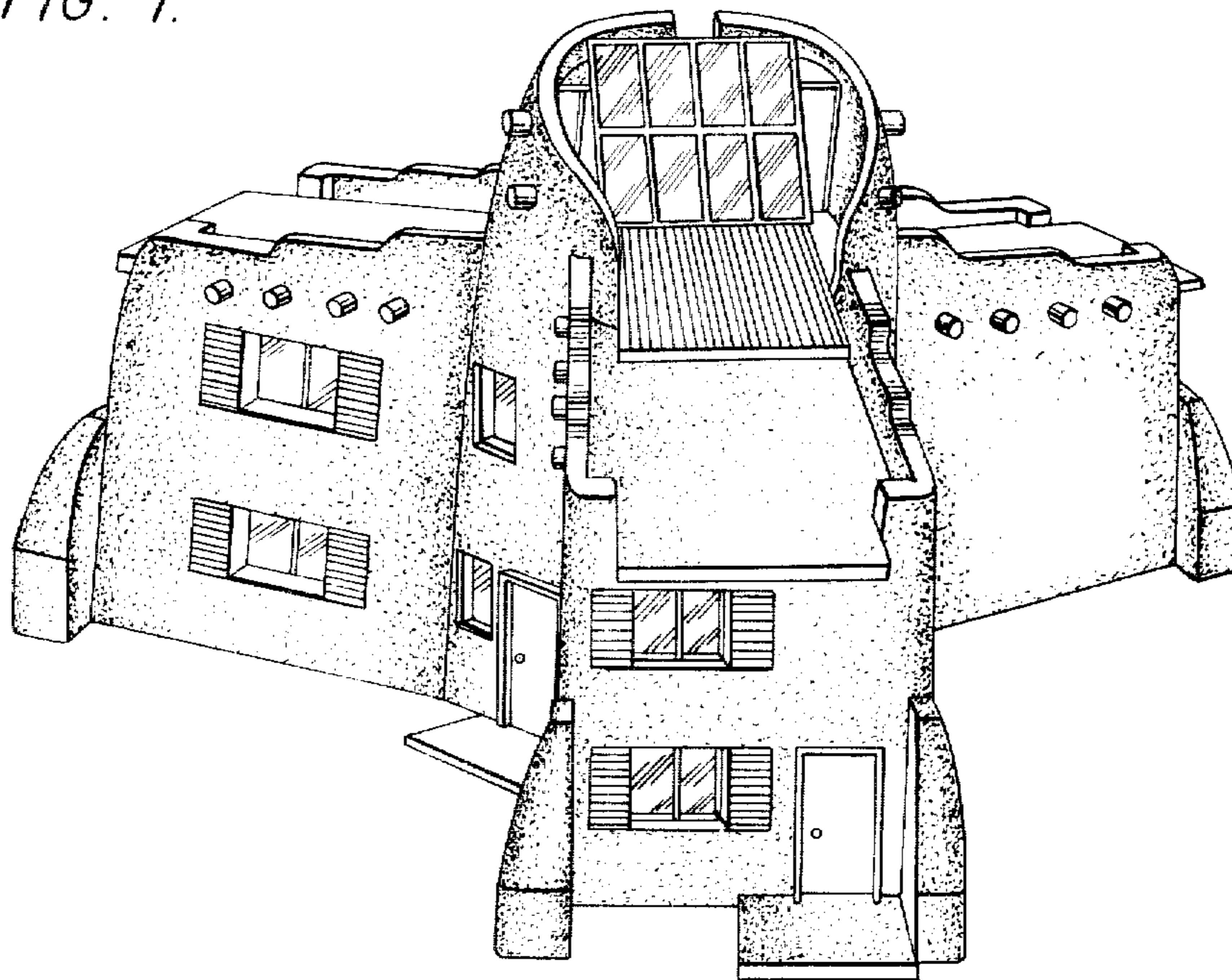


FIG. 2.

FIG. 3.

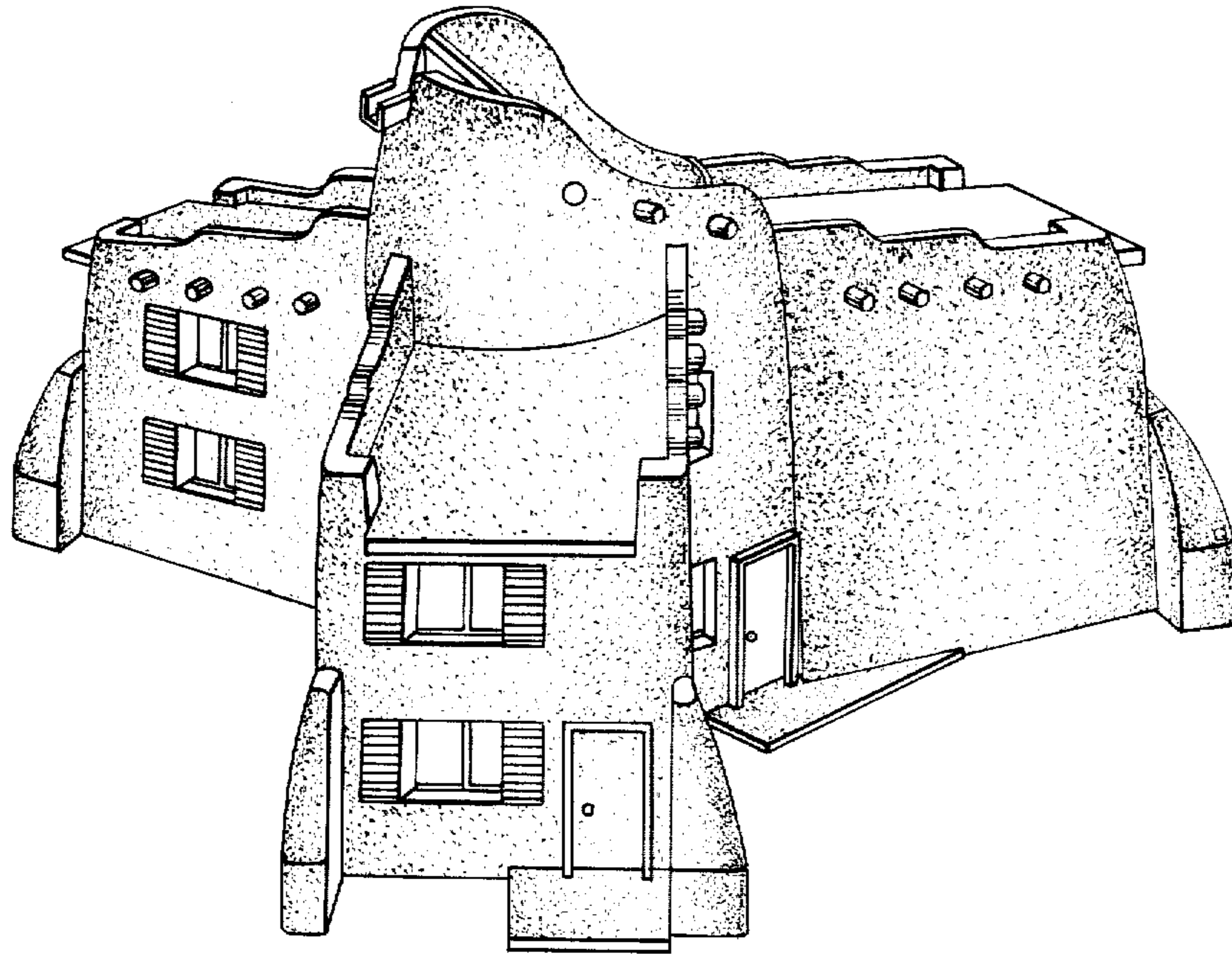


FIG. 4.

