

[54] DUST-CONTROL ROOM

[75] Inventors: Paul W. Klein; Nicholas J. Corbo, both of Cincinnati, Ohio; Raymond T. O'Donnell, Grand Haven, Mich.

[73] Assignee: Sun Chemical Corporation, New York, N.Y.

[**] Term: 14 Years

[21] Appl. No.: 105,265

[22] Filed: Dec. 19, 1979

[51] Int. Cl. D25-03

[52] U.S. Cl. D25/1; D25/33

[58] Field of Search D25/1, 16, 22, 23, 24, D25/25, 26, 30, 31, 32, 33; 52/79.1, 79.5, 79.9, 79.12, 220, 221, 745, 264, 265, 143

[56] References Cited

U.S. PATENT DOCUMENTS

- D. 241,333 9/1976 Wheeler D25/16
- 3,623,285 11/1971 Kelly D25/16 X
- 4,171,596 10/1979 Varlonga D25/16 X

OTHER PUBLICATIONS

Sweet's Architectural Catalog File, 1978, Section 13.13/AM, p. 3, bottom left illustration.

Primary Examiner—A. Hugo Word

Attorney, Agent, or Firm—Cynthia Berlow

[57] CLAIM

The ornamental design for a dust-control room, as shown and described.

DESCRIPTION

FIG. 1 is a perspective of a dust-control room embodying our new design, looking at the top and front and left side thereof.

FIG. 2 is a top view of FIG. 1.

The rear and the right side not shown in the drawing are plain and unornamented.

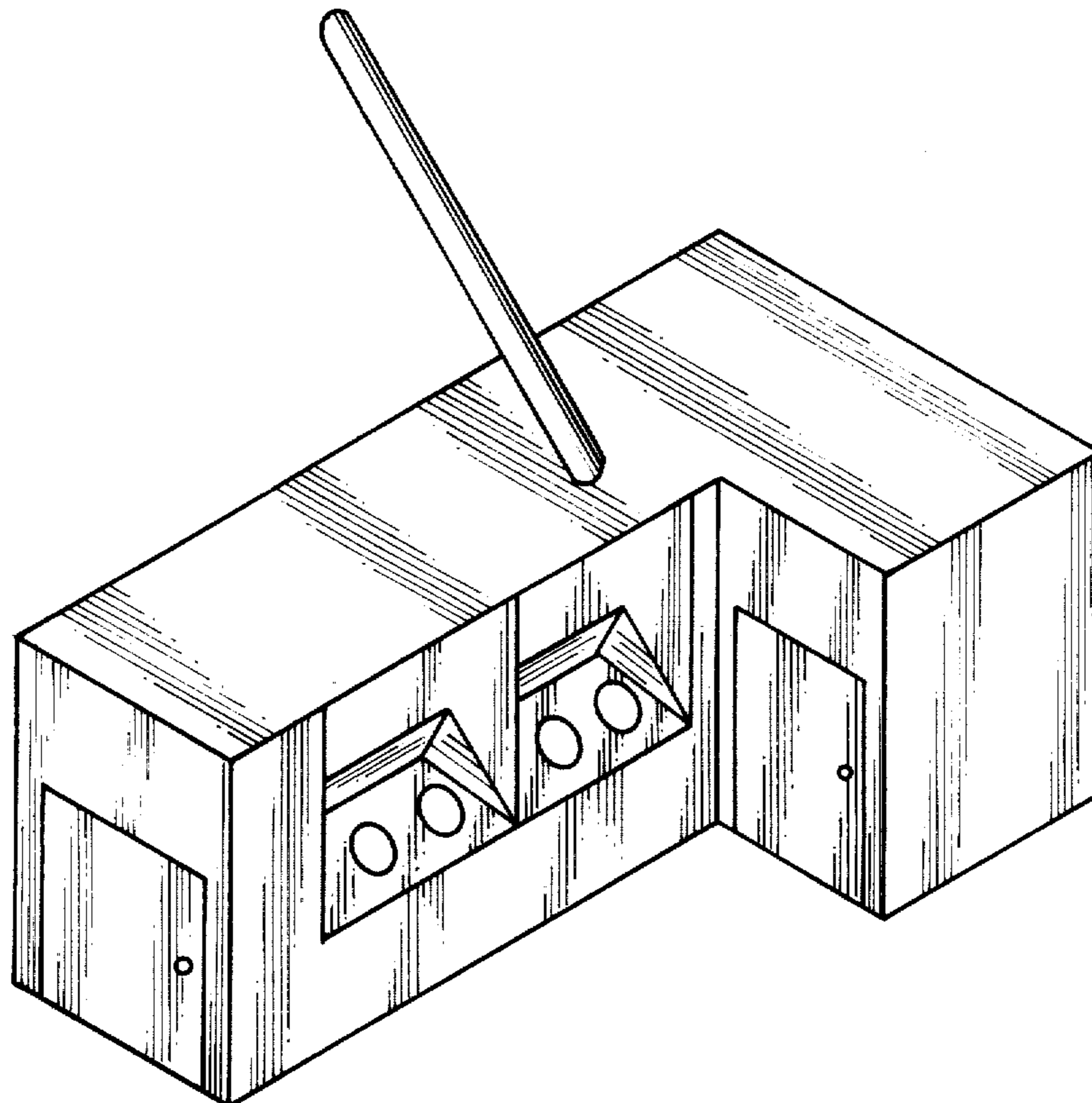


FIG. 1.

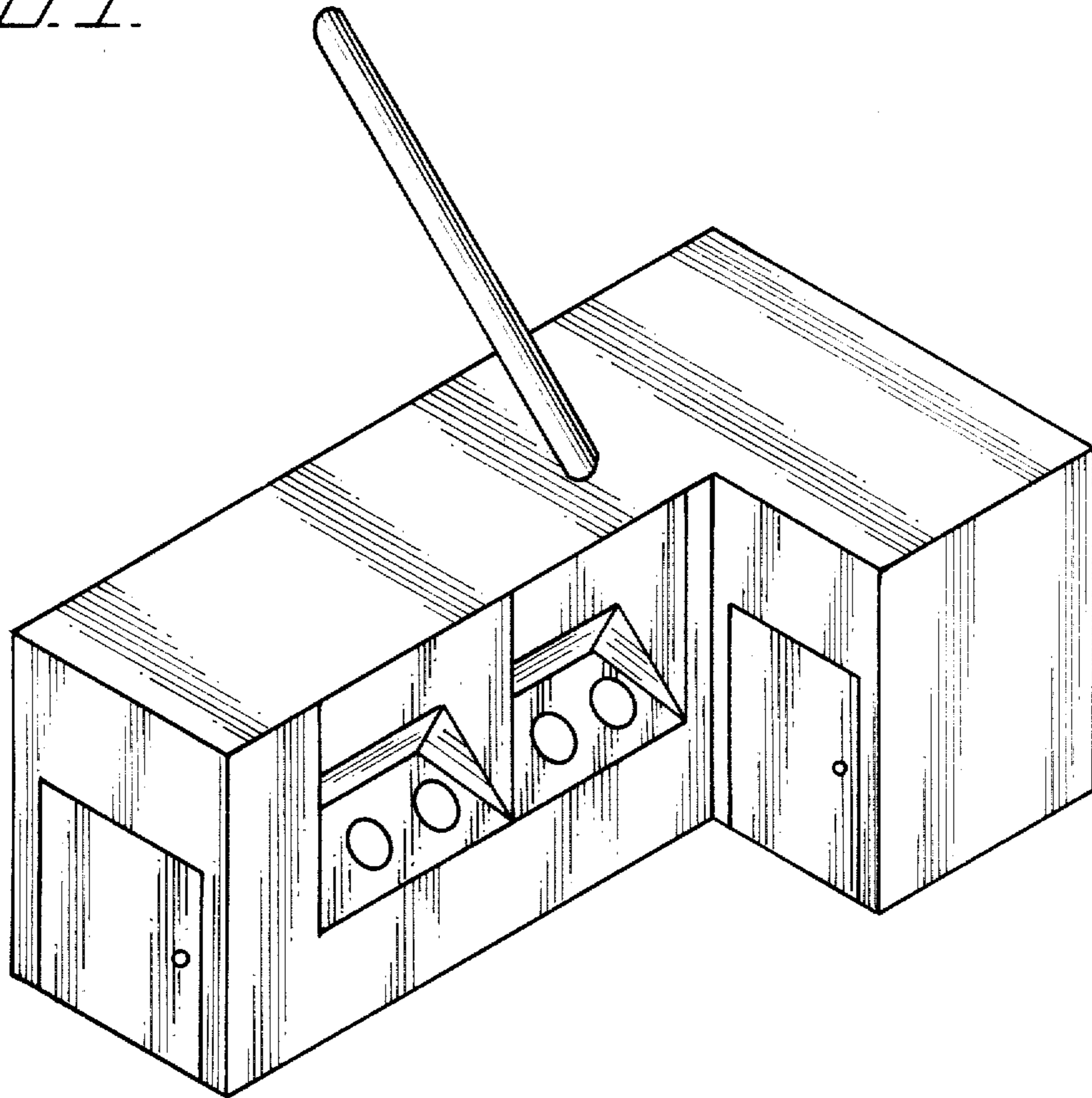


FIG. 2.

