

[54] INSTRUMENT KIT FOR TREE PROBLEM DIAGNOSIS

D. 253,556 12/1976 D'Alo D3/30.1
3,000,685 9/1961 Gross 312/DIG. 33 X
4,241,833 12/1980 Luebcke 206/373

[76] Inventor: Gary H. Maier, 2419 Easton Blvd.,
Des Moines, Iowa 50317

Primary Examiner—Bernard Ansher
Attorney, Agent, or Firm—Rudolph L. Lowell

[**] Term: 14 Years

[57] CLAIM

[21] Appl. No.: 164,678

The ornamental design for an instrument kit for tree problem diagnosis, substantially as shown.

[22] Filed: Jun. 30, 1980

DESCRIPTION

[51] Int. Cl. D3—02

[52] U.S. Cl. D24/99; D3/30.1

[58] Field of Search D3/30.1; 206/569, 223,
206/373, 372; 312/DIG. 33, 287, 290; D24/99;
211/169

FIG. 1 is a perspective view of an instrument kit for tree problem diagnosis showing my new design with the lid and a drawer in open positions;
FIG. 2 is a top plan view thereof with the lid and drawer closed, the bottom surface being plain;
FIG. 3 is a rear elevational view;
FIG. 4 is a front elevational view;
FIG. 5 is a left side elevational view; and
FIG. 6 is a right side elevational view.

[56] References Cited

U.S. PATENT DOCUMENTS

D. 250,553 12/1978 Myhre D24/99

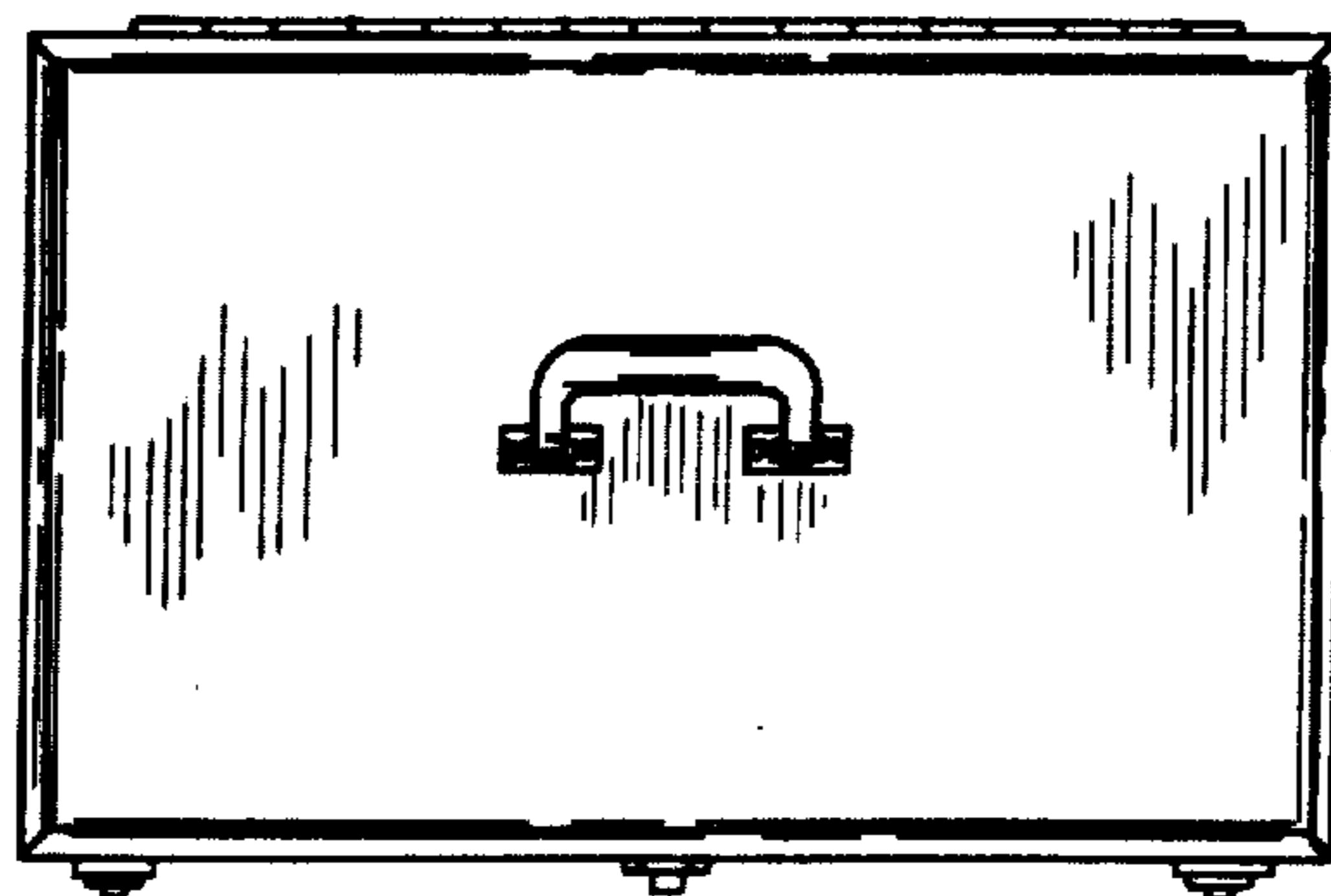
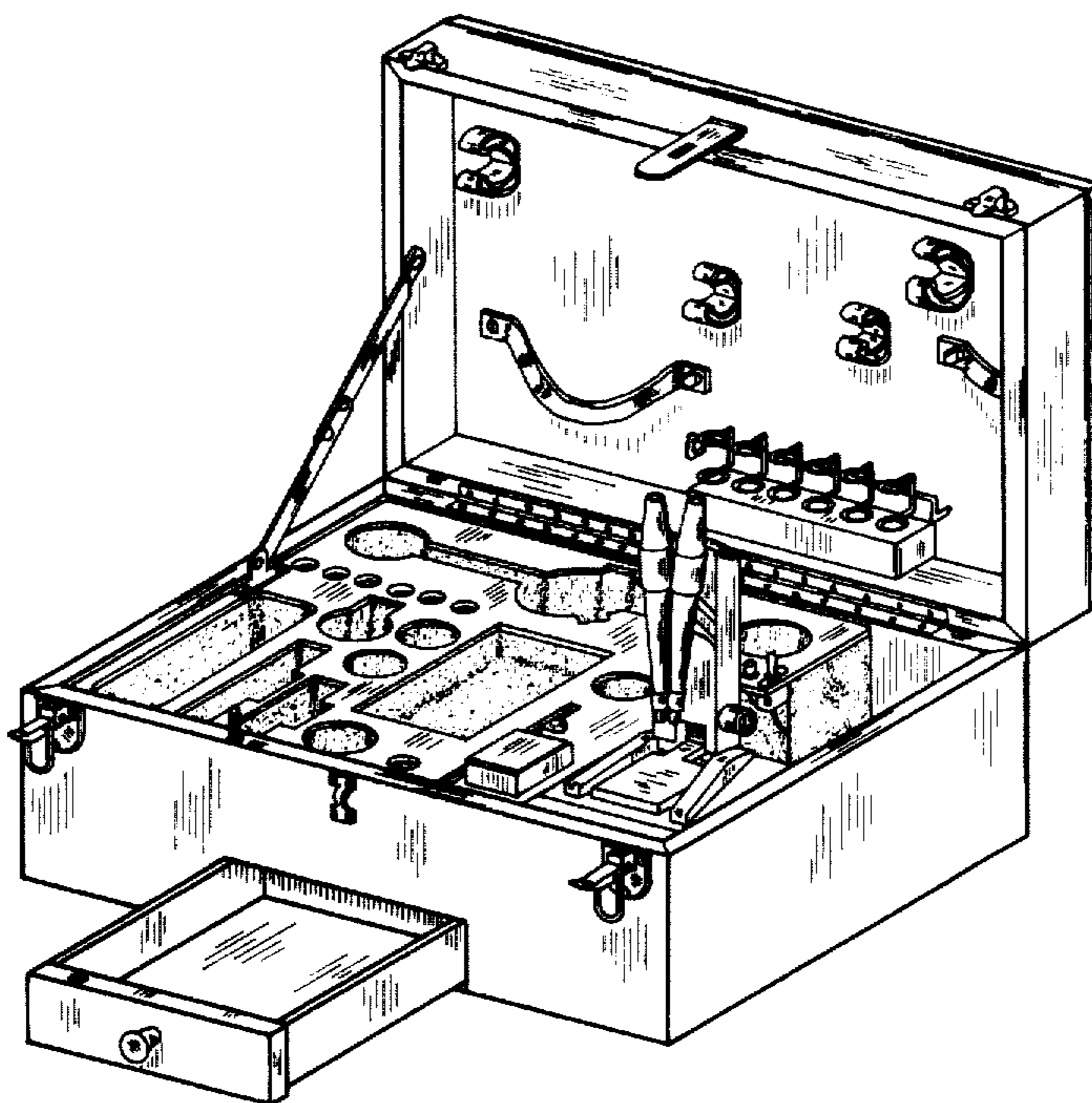
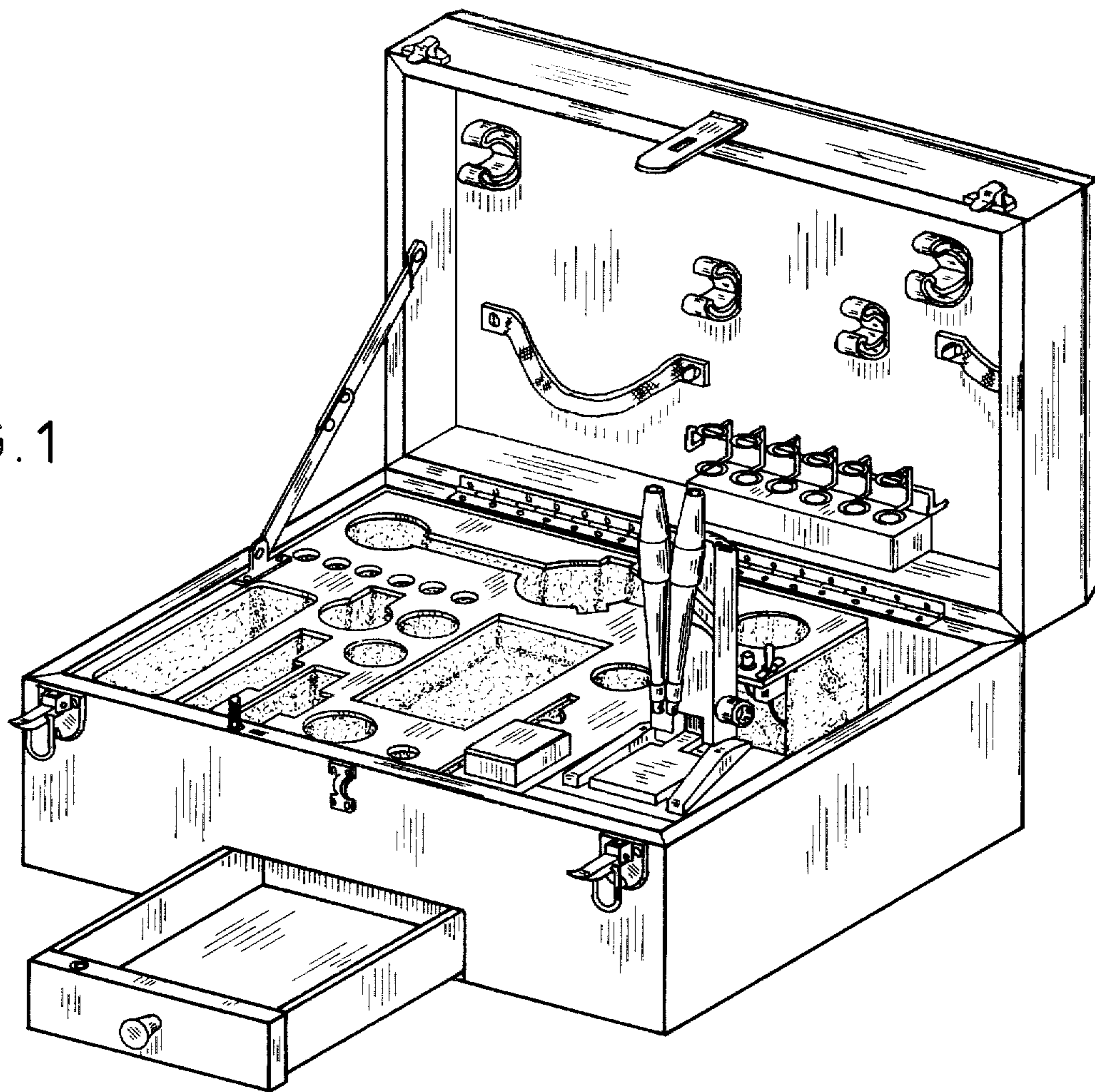


FIG. 1



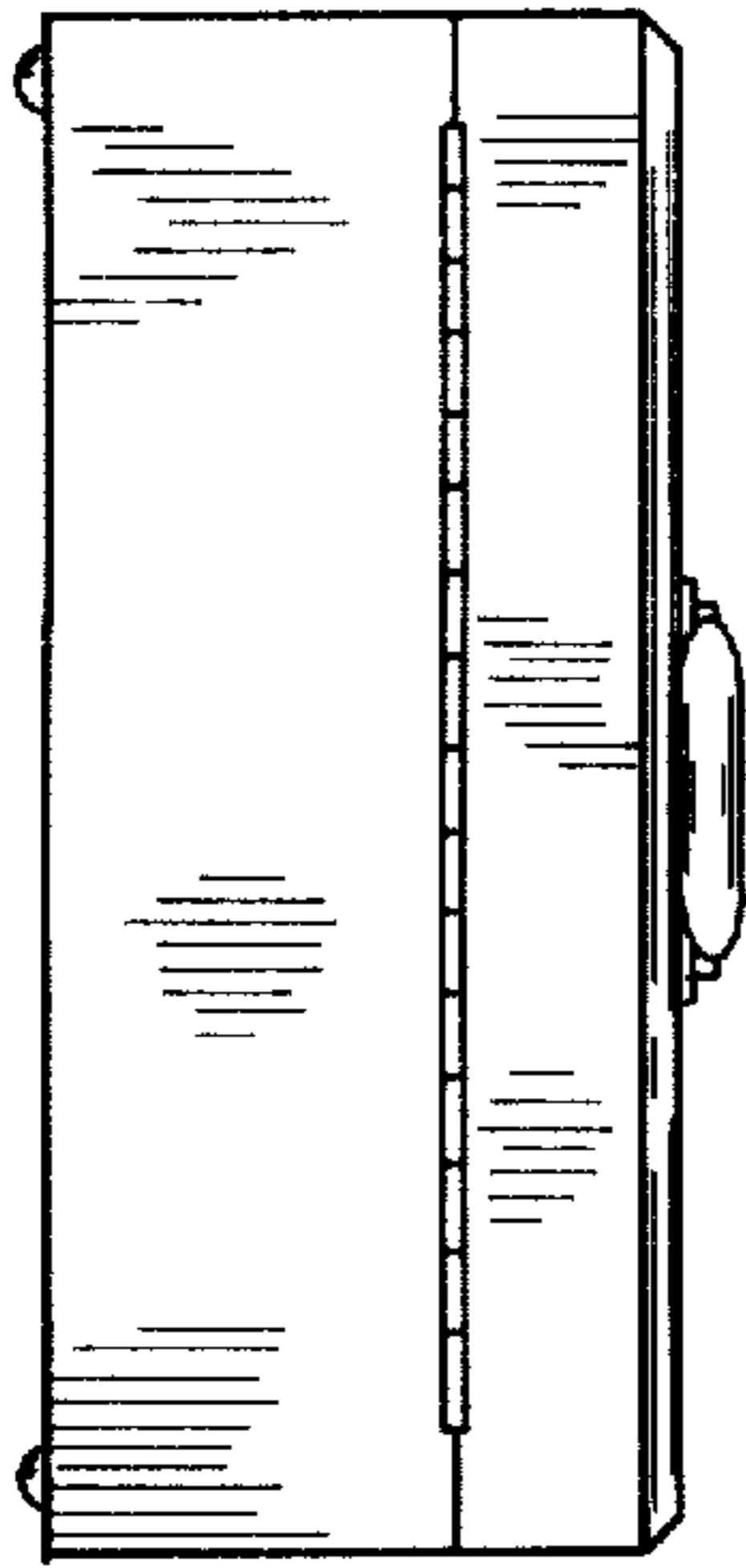


FIG. 3

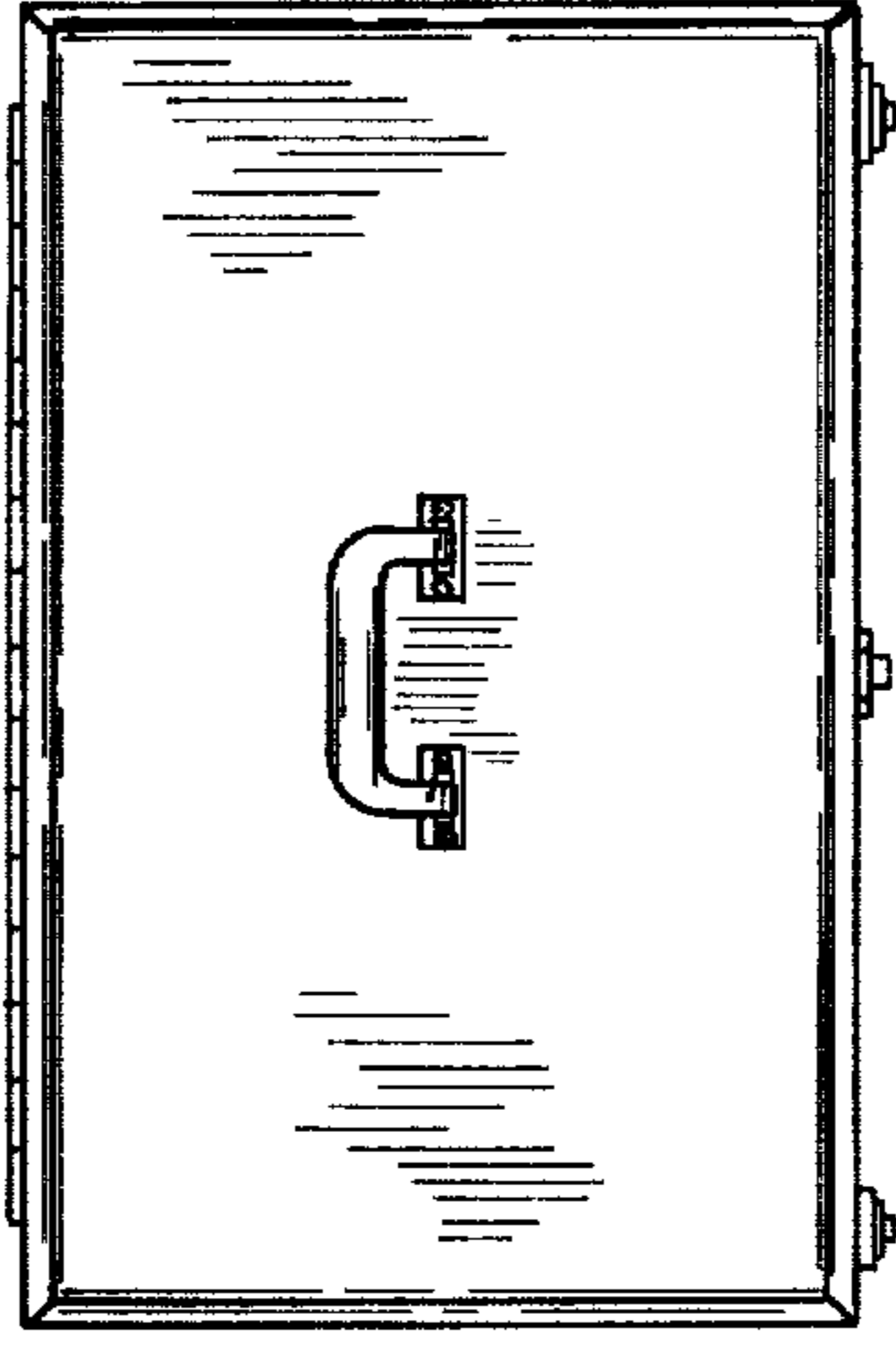


FIG. 2

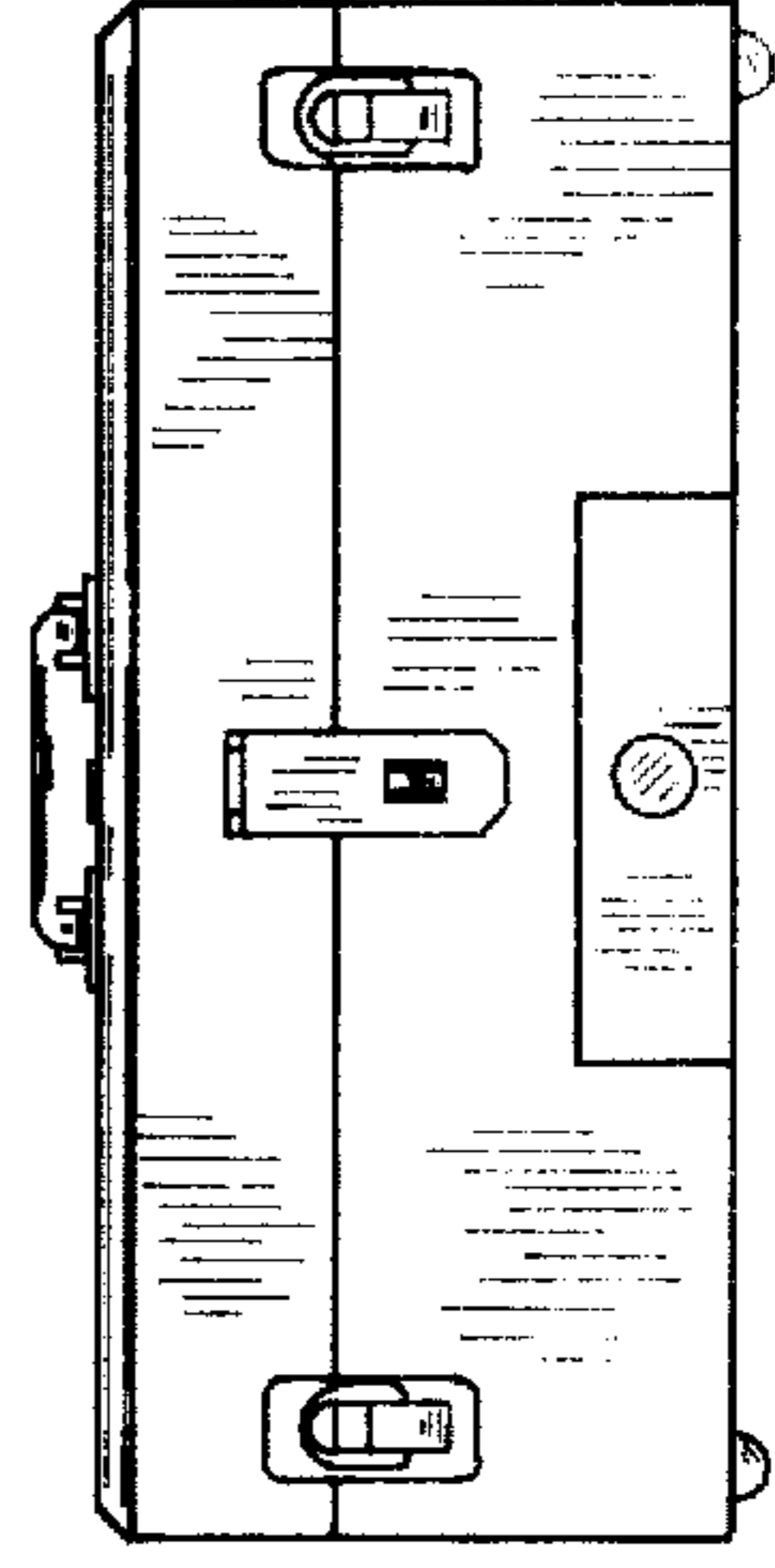


FIG. 4

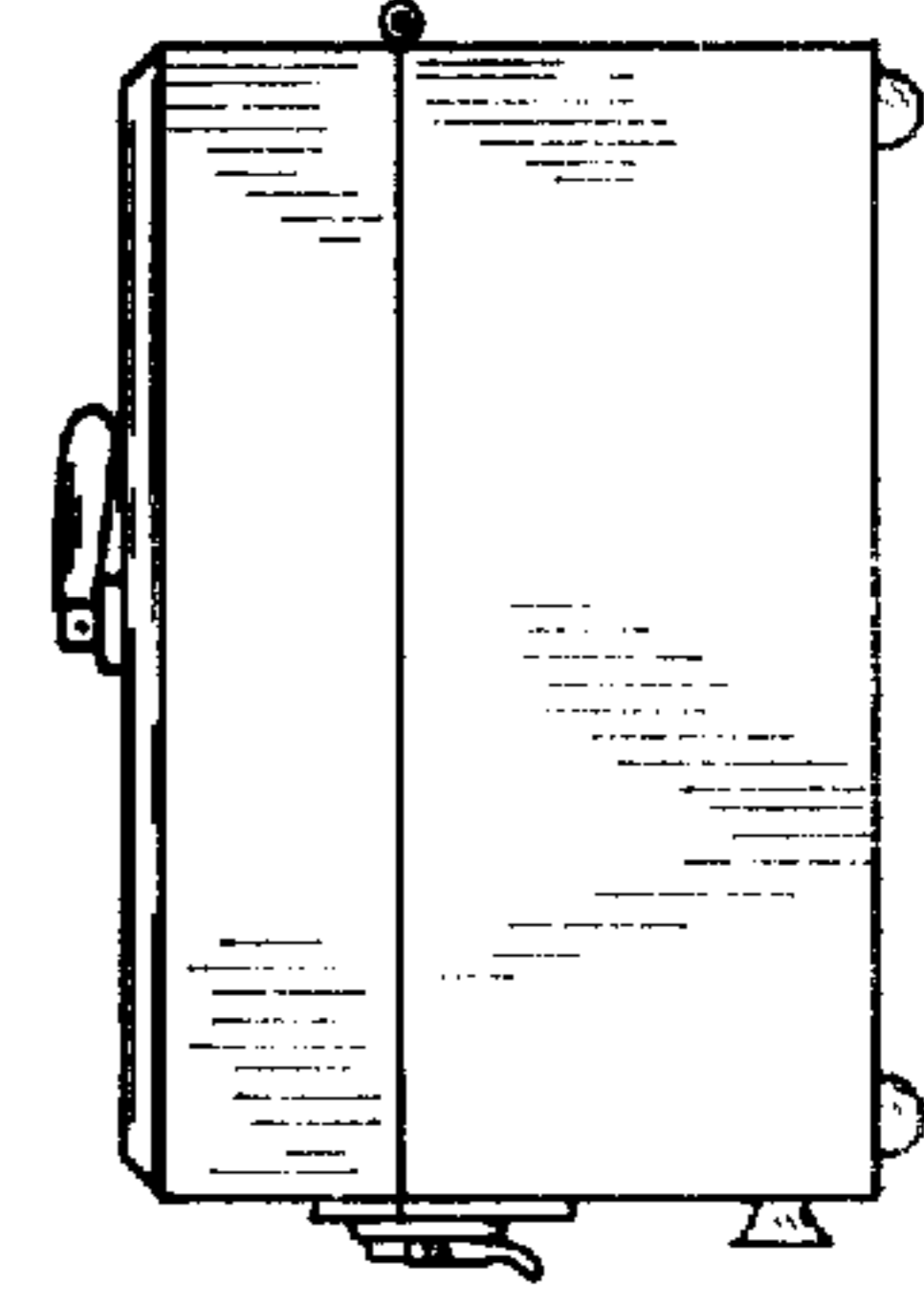


FIG. 6

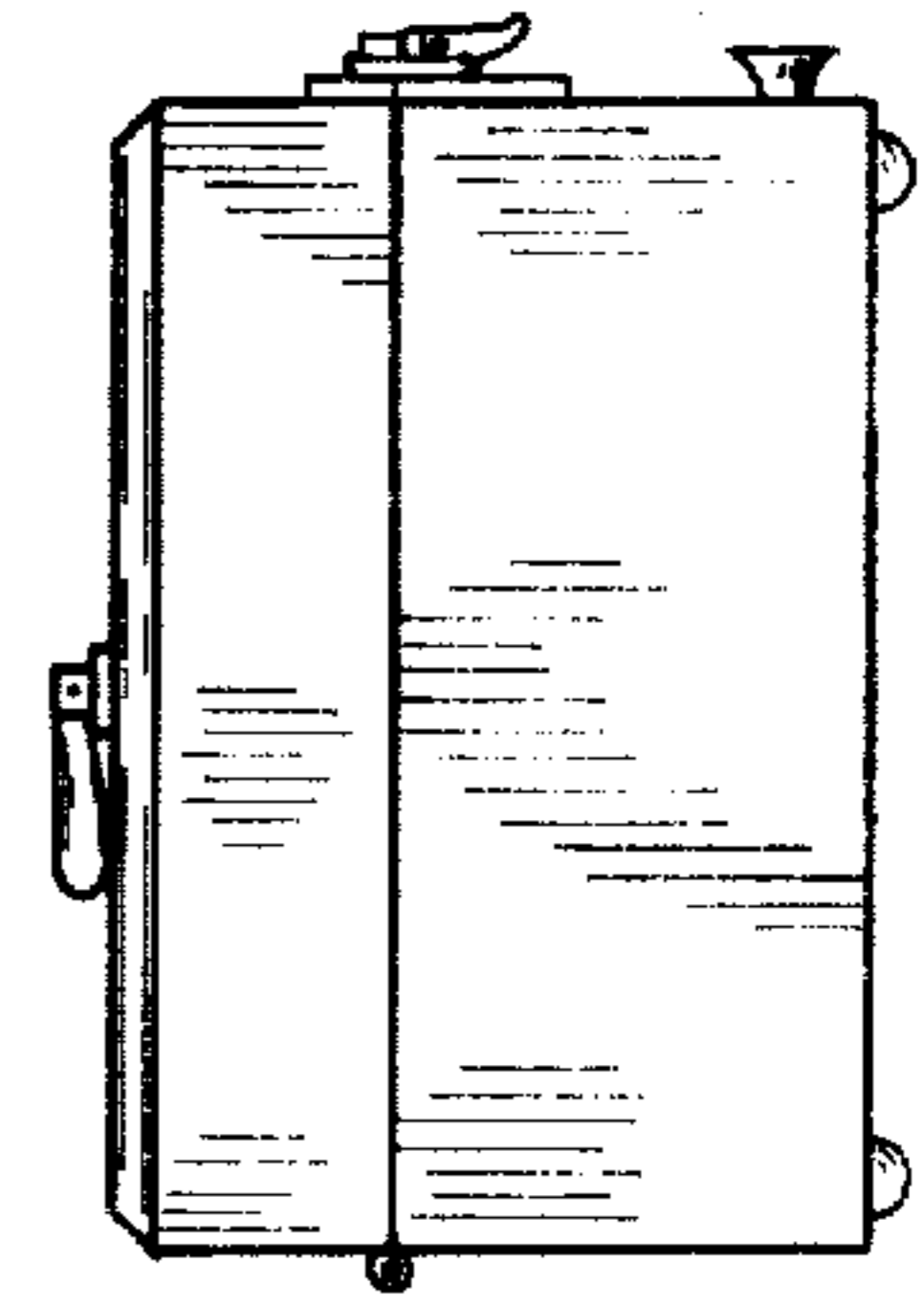


FIG. 5