

[54] CERVICAL DILATOR

4,240,412 12/1980 James 128/341 X
4,263,914 4/1981 Pawlak 128/341

[76] Inventor: **Richard D. Glassman**, 600
Southshore Dr., Miami Beach, Fla.
33141

OTHER PUBLICATIONS

Aloe Medical Cat. No. 220, ©1965, p. 125, Trylon
Hegar Uterine Dilator, Item No. E4907.

[**] Term: **14 Years**

Primary Examiner—Bernard Ansher
Attorney, Agent, or Firm—Elmer L. Zwickel

[21] Appl. No.: **170,300**

[22] Filed: **Jul. 18, 1980**

[57] CLAIM

[51] Int. Cl. **D24—02**

The ornamental design for a cervical dilator, as shown.

[52] U.S. Cl. **D24/23; D24/08**

DESCRIPTION

[58] Field of Search **D24/33, 8, 99; 128/341,
128/342, 343, 344**

FIG. 1 is an elevational view of the cervical dilator;
FIG. 2 is a view of one side of the cervical dilator;
FIG. 3 is a view of the opposite side of the cervical
dilator;

[56] References Cited

U.S. PATENT DOCUMENTS

D. 143,924	2/1946	McFadden	D24/23
D. 247,512	3/1978	Sandler	D24/23
988,120	3/1911	Lott	128/341
3,712,300	1/1973	Davidowitz	128/341

FIG. 4 is a view of one end of the cervical dilator as
viewed along line 4—4 of FIG. 1; and
FIG. 5 is a view of the other end of the cervical dilator
as viewed along line 5—5 of FIG. 1.

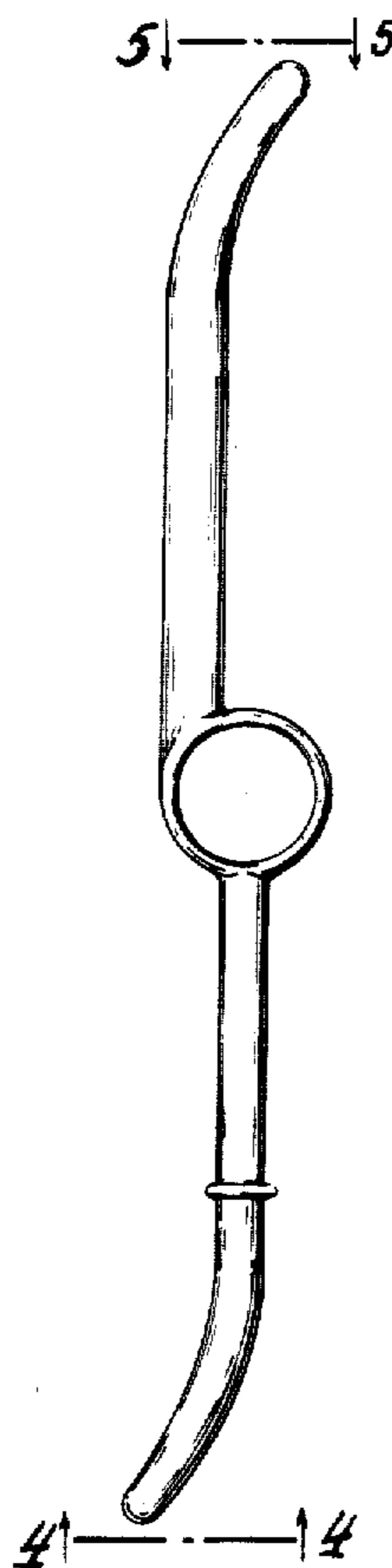


Fig. 1.

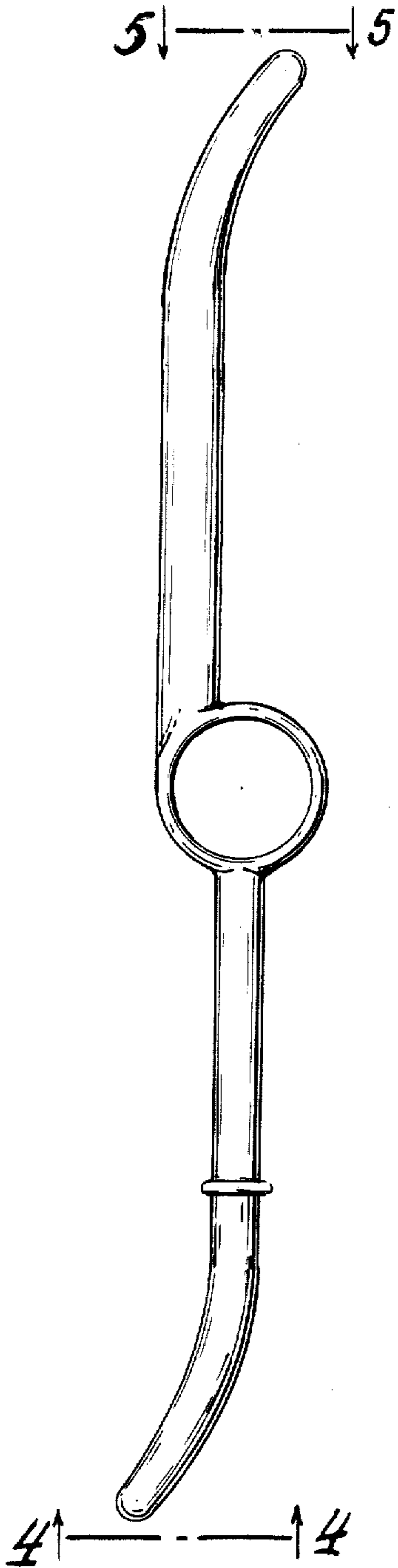


Fig. 2.



Fig. 3.



Fig. 4.



Fig. 5.