

[54] AIR RECIRCULATOR  
[76] Inventor: Albert W. Kemp, 8291 Acacia,  
Cypress, Calif. 90630  
[\*\*] Term: 14 Years  
[21] Appl. No.: 161,900  
[22] Filed: Jun. 23, 1980  
[51] Int. Cl. .... D23-04  
[52] U.S. Cl. .... D23/151; D30/42;  
D6/128; D6/132; D6/123  
[58] Field of Search ..... D23/151; D6/123, 128,  
D6/132; 98/33 A

[56] References Cited

U.S. PATENT DOCUMENTS

D. 170,616 10/1953 Yarger ..... D6/23 X  
D. 254,391 3/1980 Montecalvo ..... D23/151  
D. 254,803 4/1980 Rusth et al. .... D23/151  
D. 257,485 11/1980 Montecalvo ..... D23/151

4,184,415 1/1980 Nicholson ..... 98/33 A  
4,185,545 1/1980 Rusth et al. .... 98/33 A

OTHER PUBLICATIONS

Housewares-Jan. 1977-p. 124-Heatrecycler.  
Housewares-Jan. 1978-p. 67-Heat Inverter.

Primary Examiner—Catherine E. Kemper  
Attorney, Agent, or Firm—Francis X. LoJacono

[57] CLAIM

The ornamental design for an air recirculator, as shown and described.

DESCRIPTION

FIG. 1 is a perspective view of the front and one side of an air recirculator, showing my new design;  
FIG. 2 is a side-elevational view of the side not seen in FIG. 1;  
FIG. 3 is a rear-elevational view thereof;  
FIG. 4 is a top-plan view thereof;  
FIG. 5 is a bottom-plan view thereof.

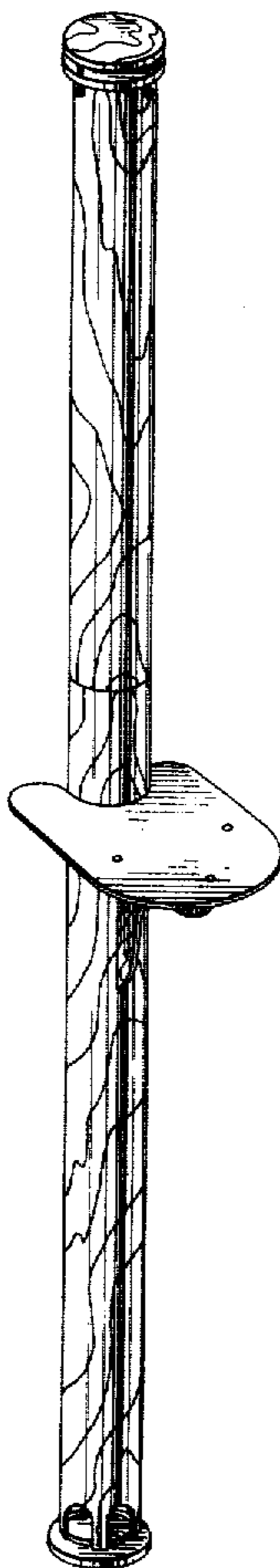


FIG. 1

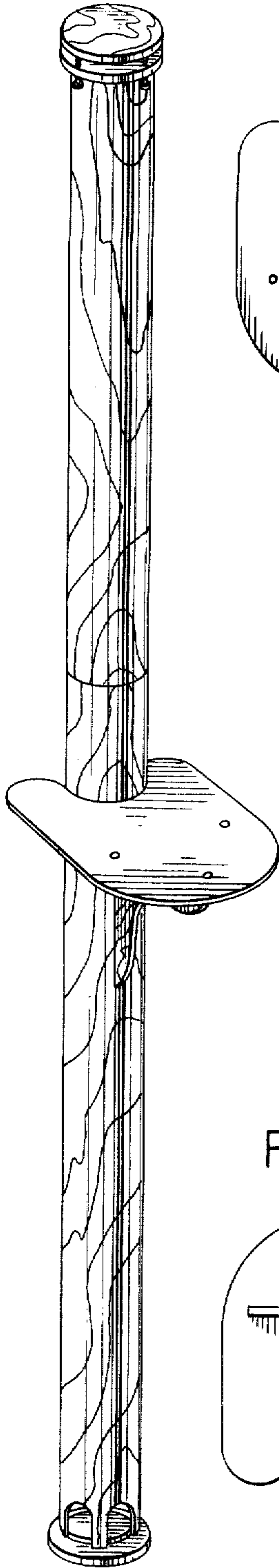


FIG. 2

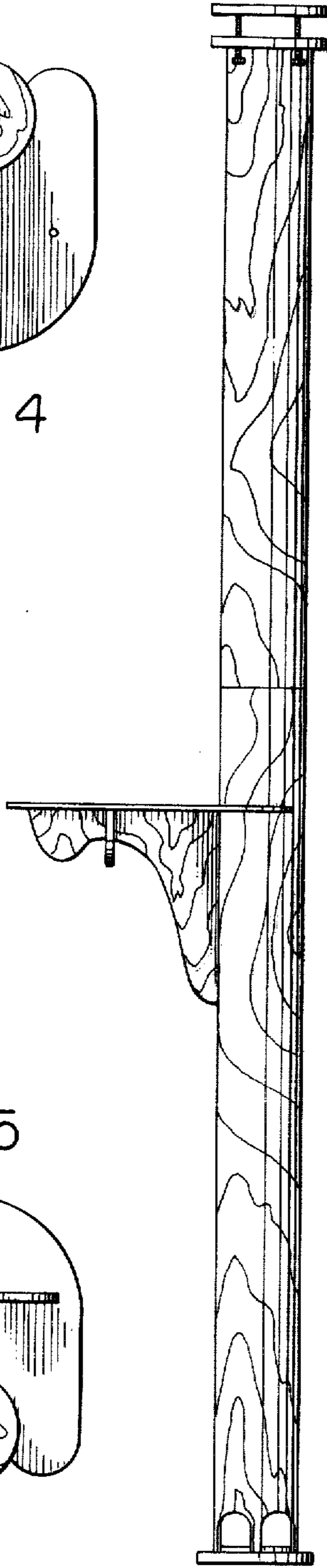


FIG. 3

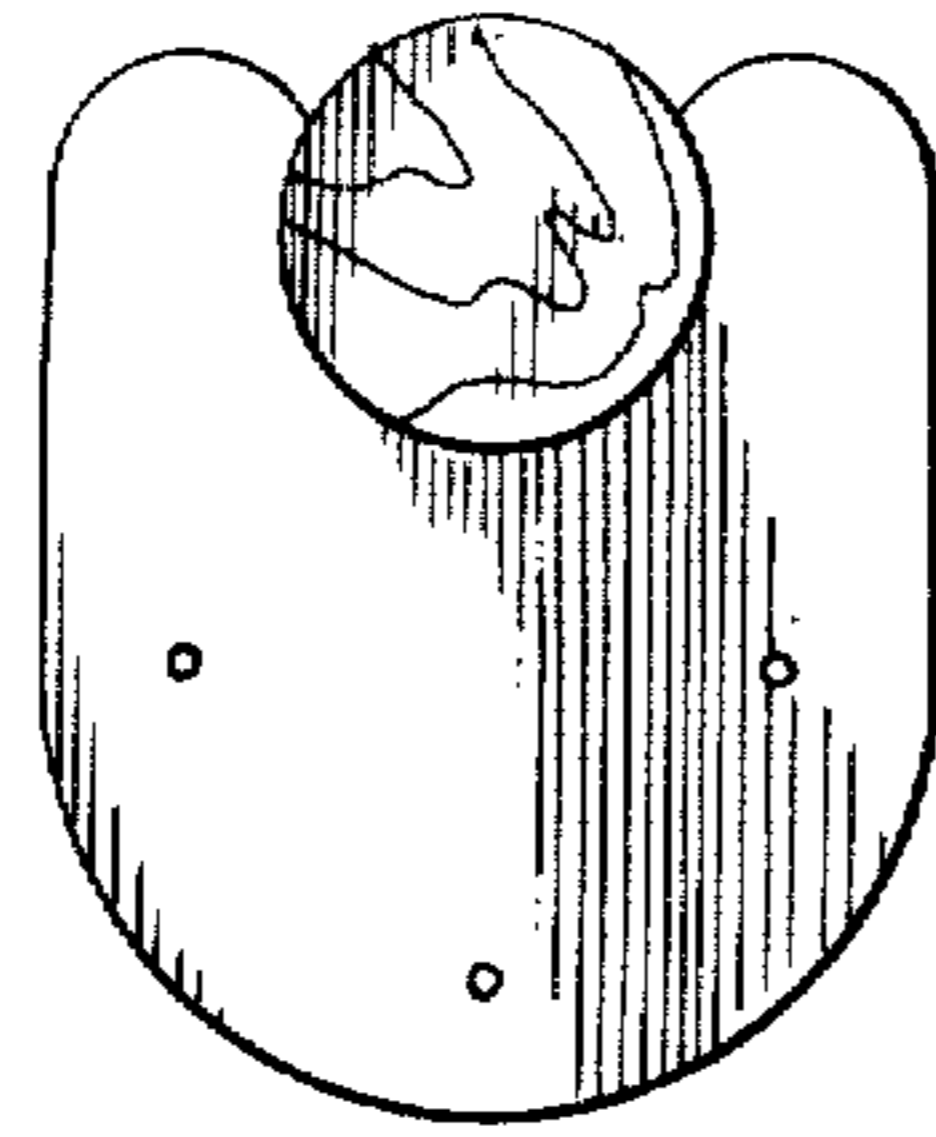
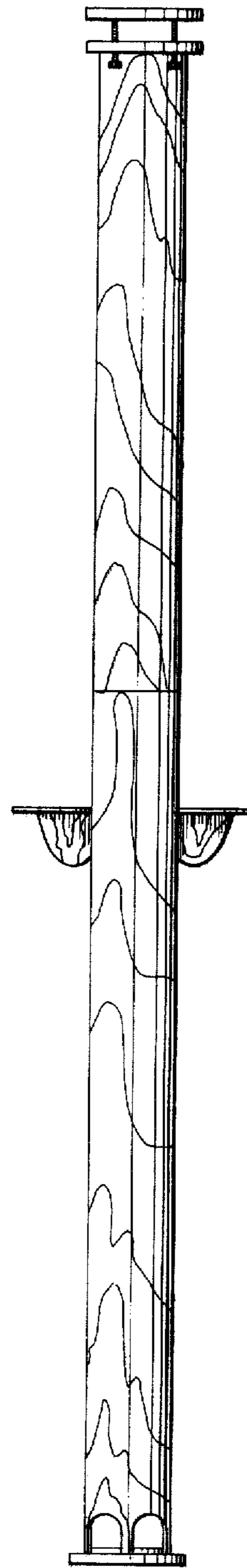


FIG. 4

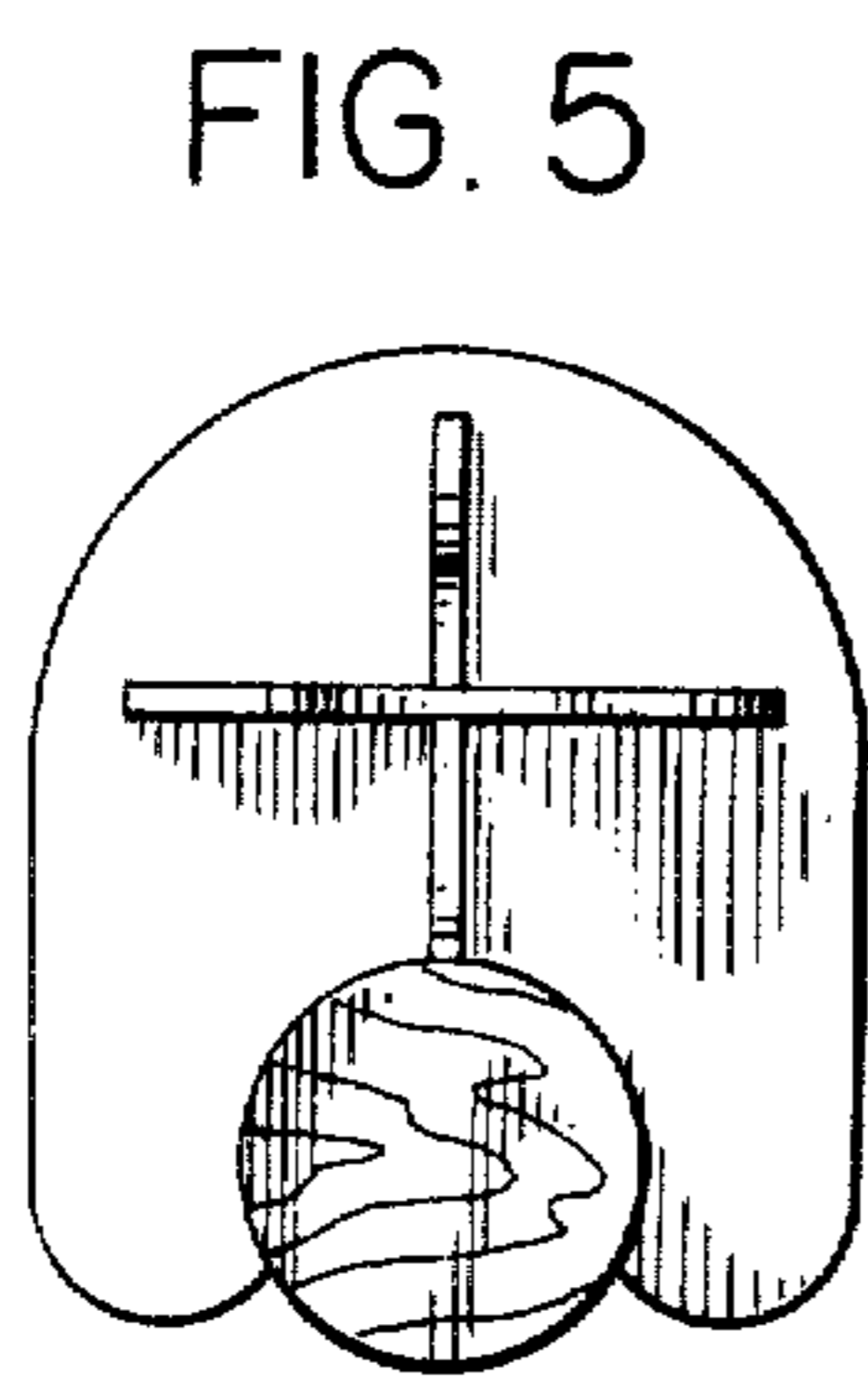


FIG. 5