

[54] FREE STANDING FIREPLACE

[75] Inventor: Gary E. Baughman, Santa Rosa, Calif.

[73] Assignee: Malm Fireplaces, Inc., Santa Rosa, Calif.

[\*\*] Term: 14 Years

[21] Appl. No.: 174,881

[22] Filed: Aug. 4, 1980

[51] Int. Cl. .... D23-03

[52] U.S. Cl. .... D23/97

[58] Field of Search ..... D23/92-97; 126/4, 6, 58, 60-66, 120, 121, 123, 126

[56] References Cited

U.S. PATENT DOCUMENTS

D. 254,389 3/1980 Freeland ..... D23/97

OTHER PUBLICATIONS

Wood Burning Quarterly & Home Energy Digest-Fall 1977-p. 78-top Timberline Stove.

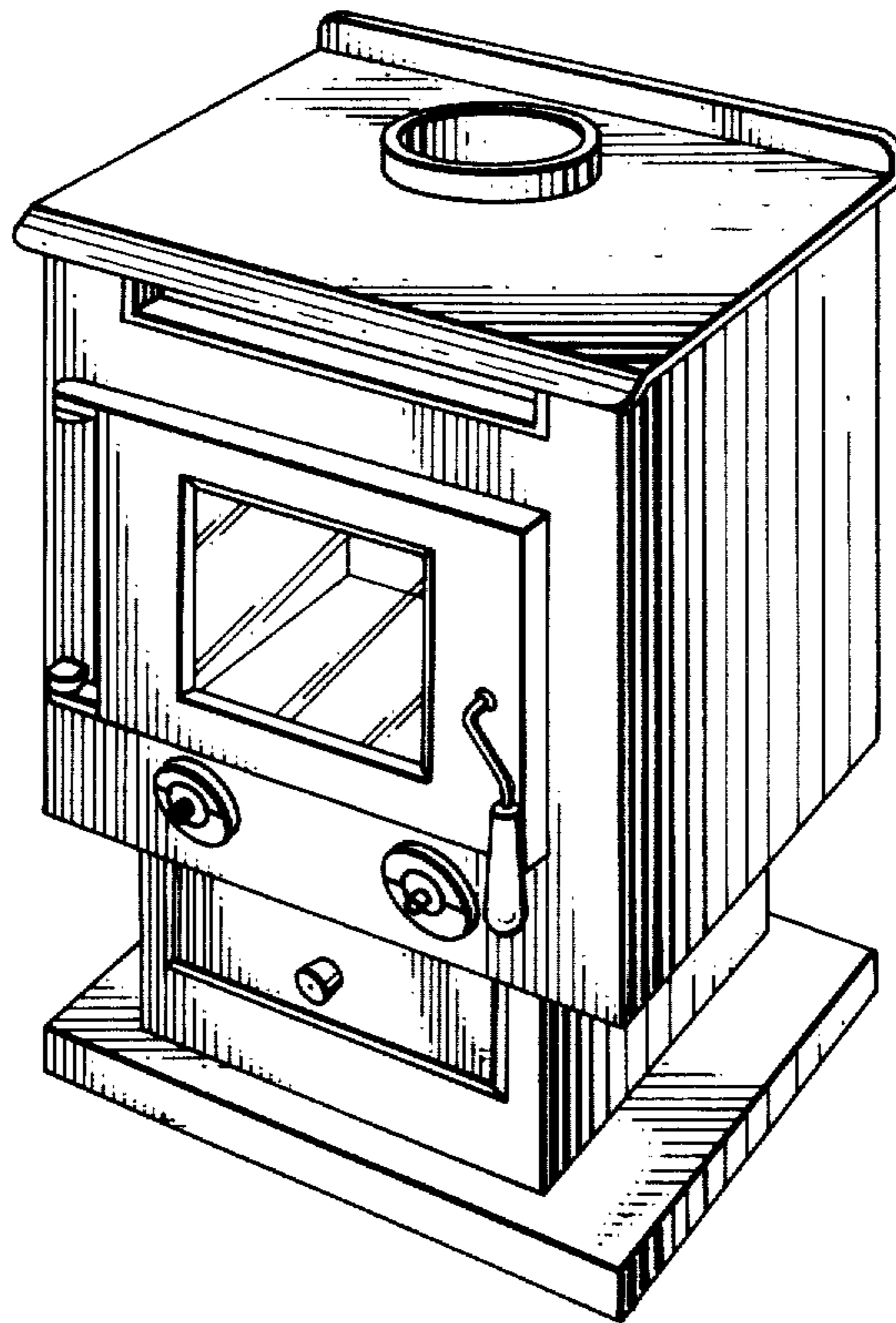
Primary Examiner—Catherine E. Kemper  
Attorney, Agent, or Firm—Flehr, Hohbach, Test, Albritton & Herbert

[57] CLAIM

The ornamental design for a free standing fireplace, as shown.

DESCRIPTION

FIG. 1 is a perspective view of a free standing fireplace, showing my new design;  
FIG. 2 is a front elevational view thereof;  
FIG. 3 is a side elevational view thereof;  
FIG. 4 is a rear elevational view thereof;  
FIG. 5 is a top plan view thereof;  
FIG. 6 is a bottom plan view thereof.



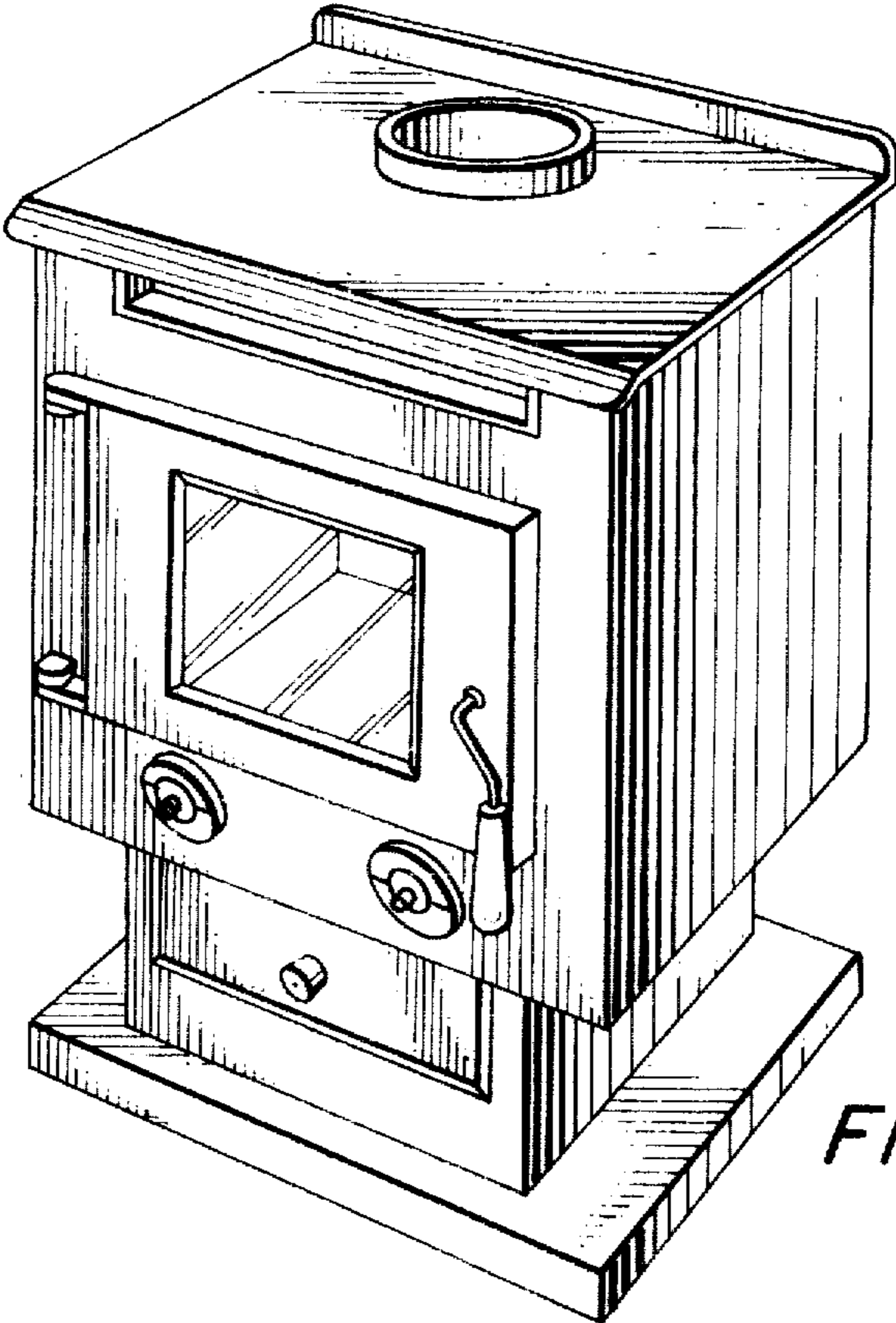


FIG. 1

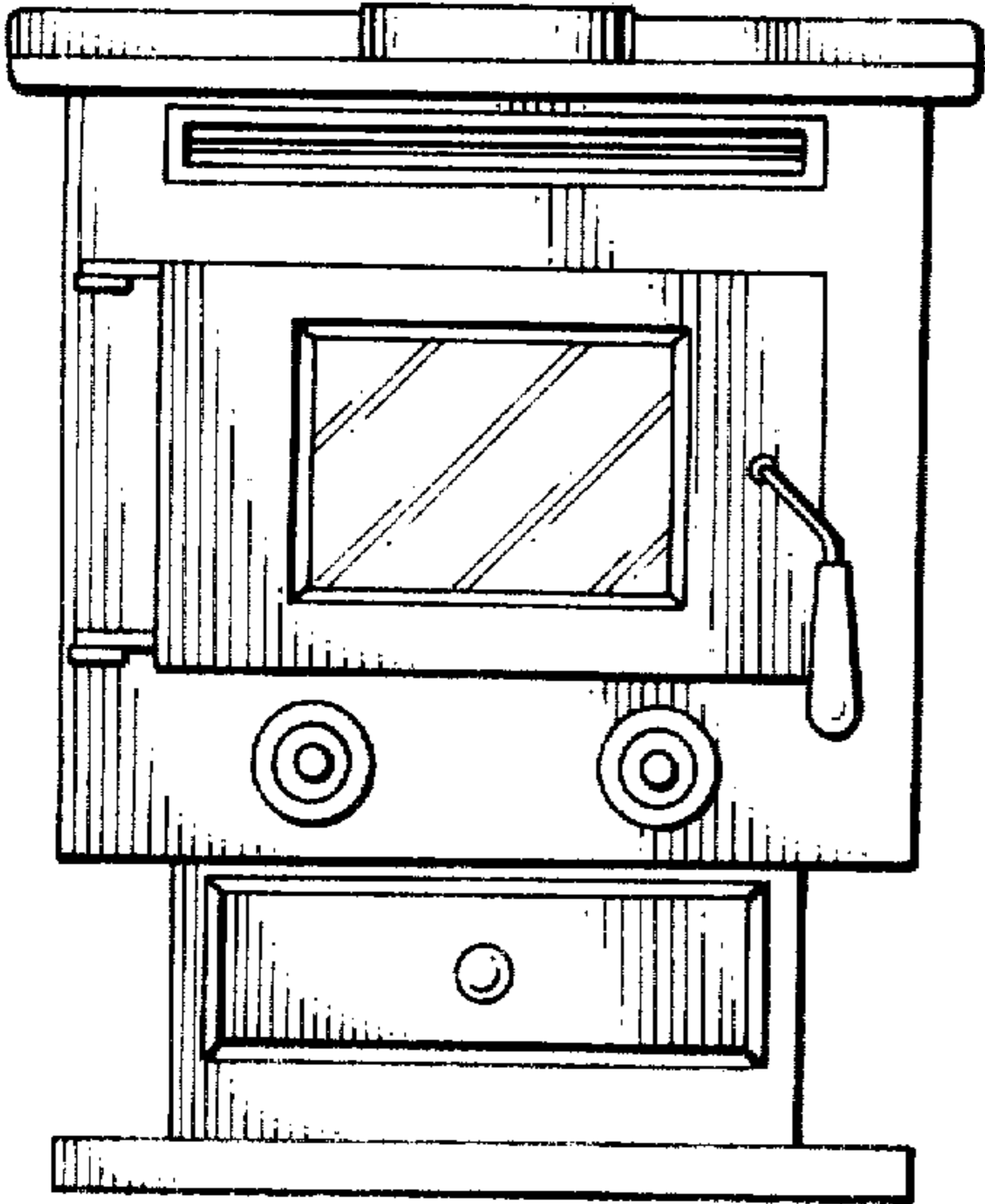


FIG. 2

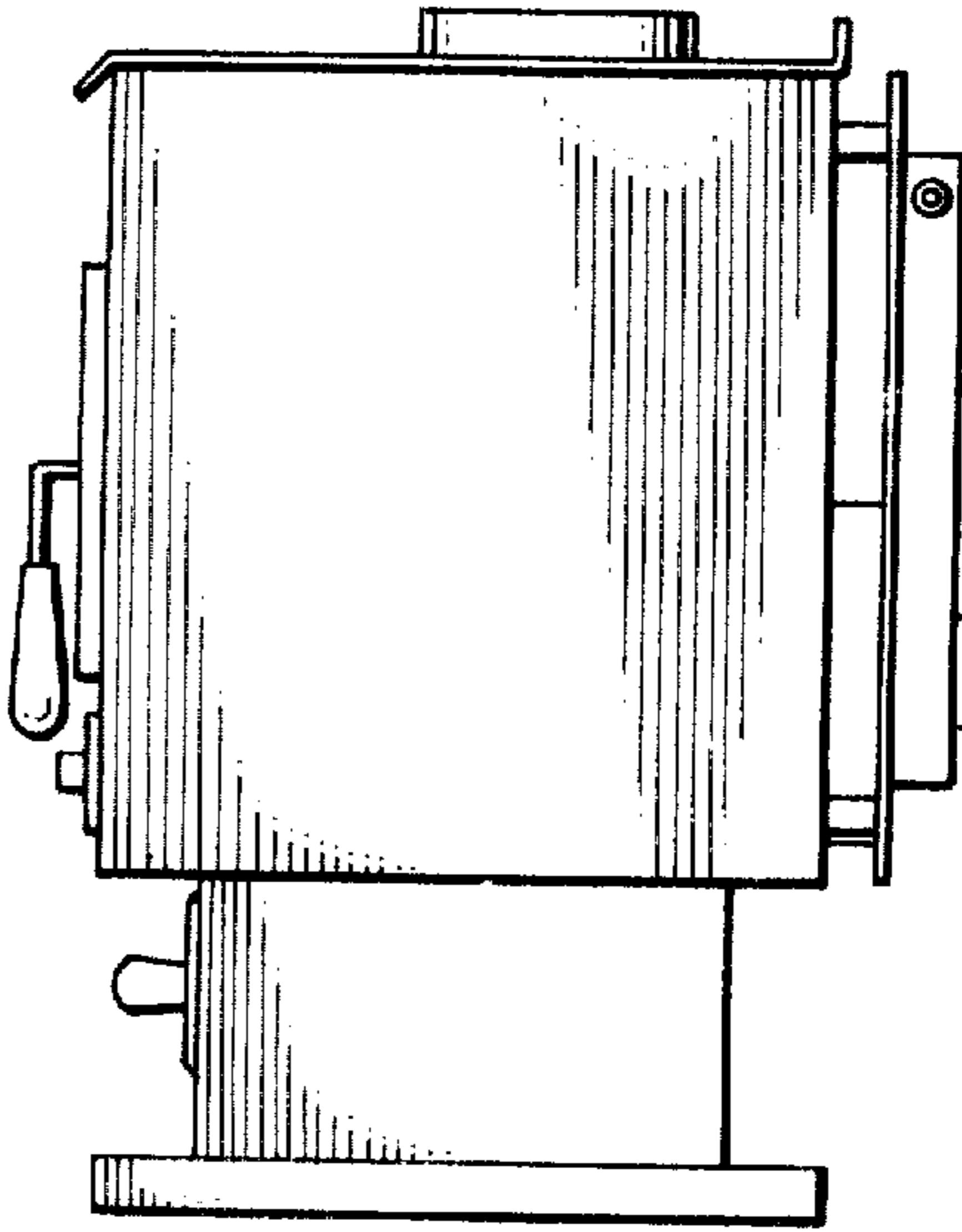


FIG. 3

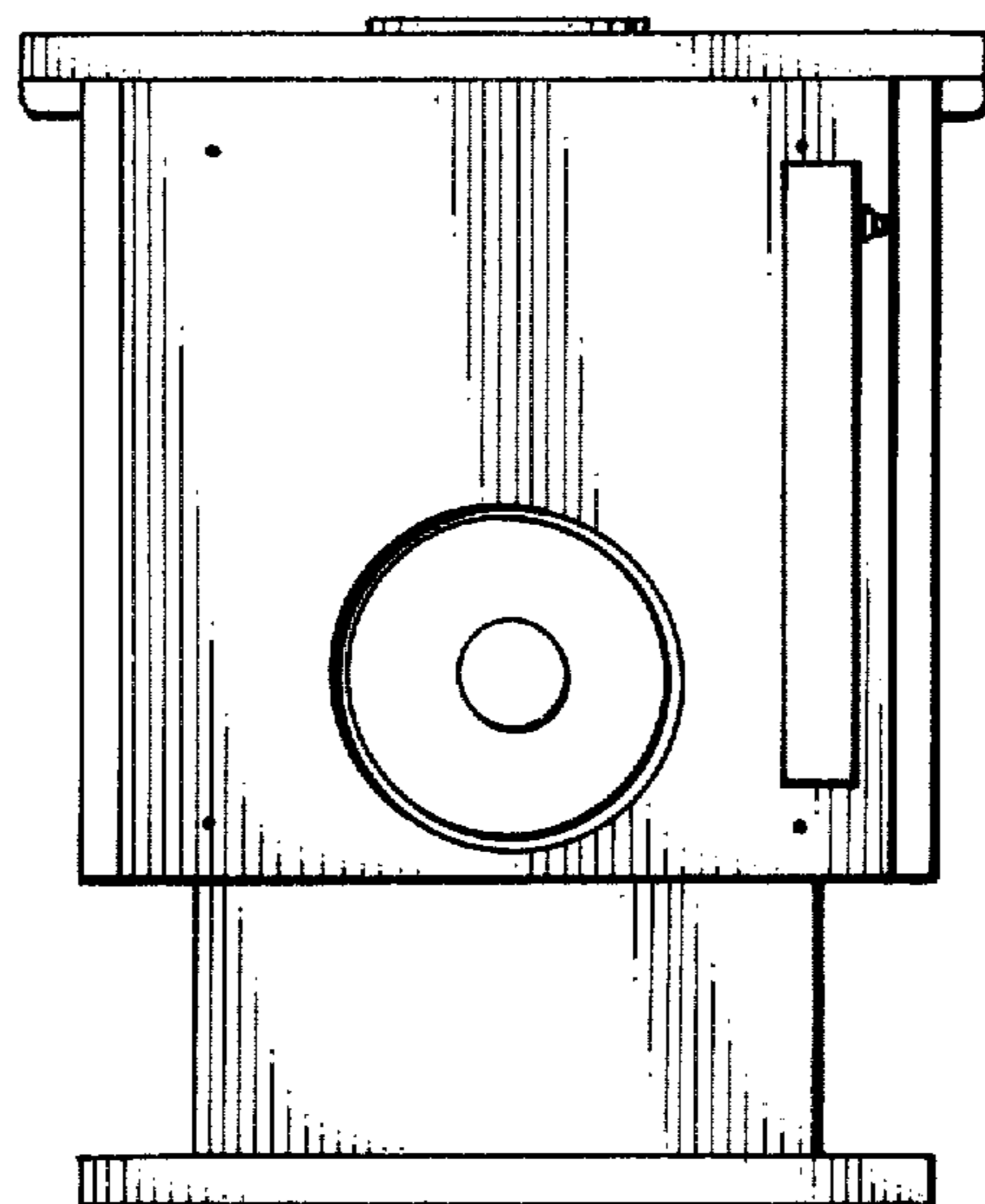


FIG. 4

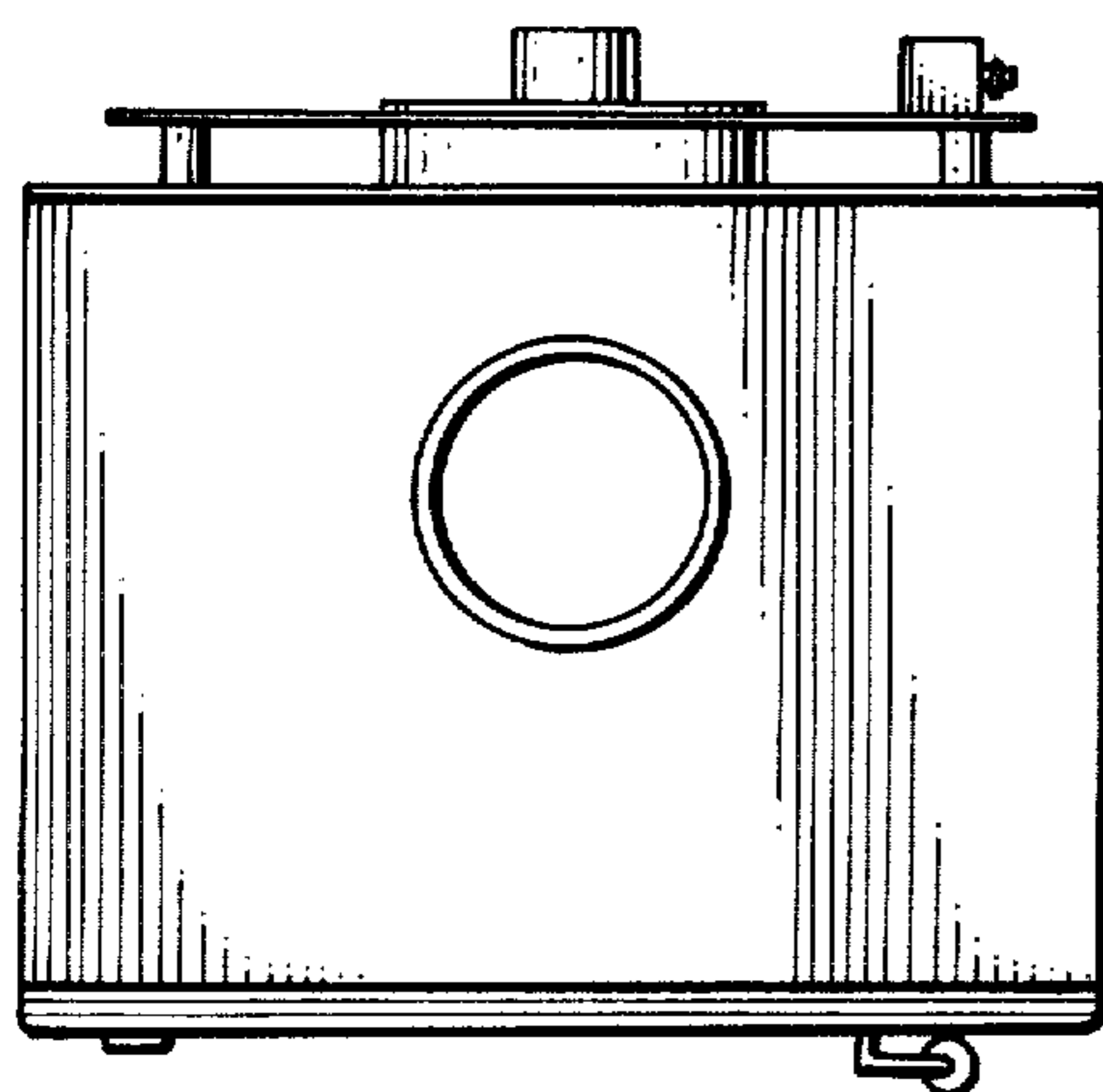


FIG. 5

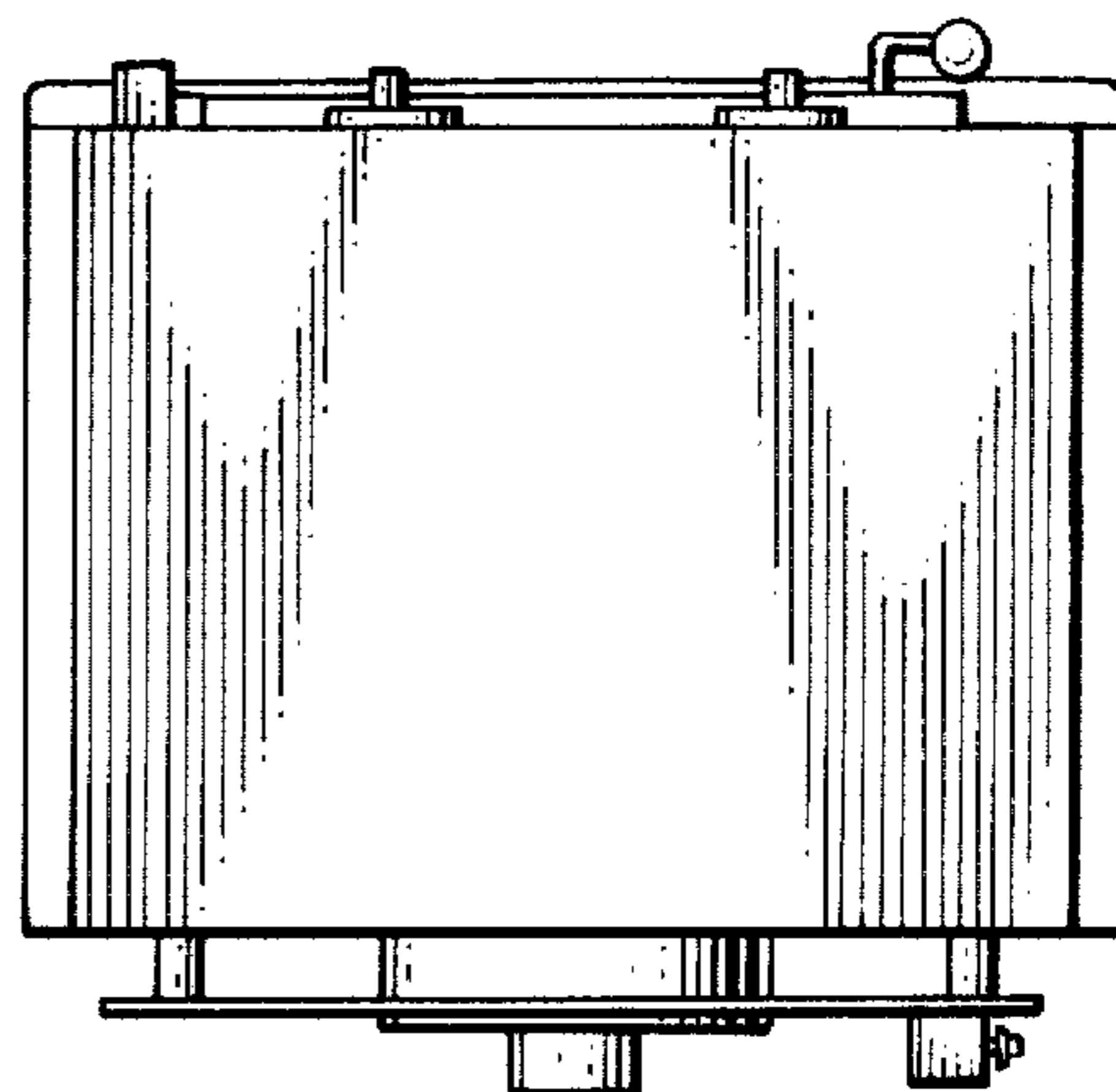


FIG. 6