

[54] ROTOR

[75] Inventor: Robert G. Kirkpatrick, Shelburne, Vt.

[73] Assignee: General Electric Company, Burlington, Vt.

[\*\*] Term: 14 Years

[21] Appl. No.: 137,703

[22] Filed: Apr. 7, 1980

[51] Int. Cl. .... D22-01

[52] U.S. Cl. .... D22/7

[58] Field of Search ..... 89/12; D22/6, 7

3,611,871 10/1971 Kirkpatrick ..... 89/12 X

3,921,499 11/1975 Ginsky ..... 89/12

4,114,510 9/1978 Prince et al. .... 89/12

Primary Examiner—A. Hugo Word  
 Attorney, Agent, or Firm—Bailin L. Kuch

[57] CLAIM

The ornamental design for a rotor, substantially as shown.

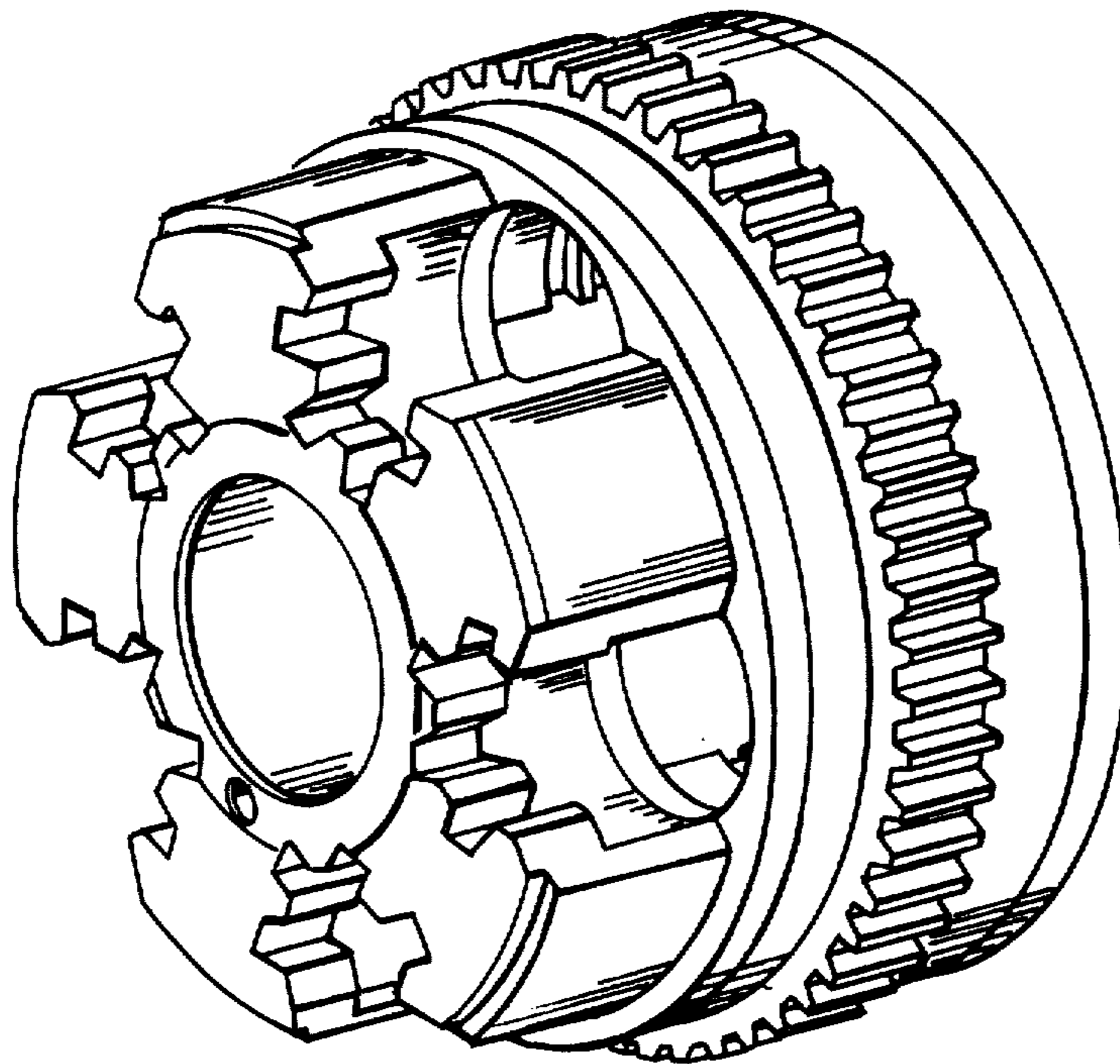
DESCRIPTION

FIG. 1 is a top forward perspective view of the rotor; FIG. 2 is an aft perspective view of the rotor of FIG. 1; FIG. 3 is a cutaway perspective view of the rotor of FIG. 1 taken along the plane III—III of FIG. 2; FIG. 4 is a bottom perspective view of the rotor of FIG. 1; and FIG. 5 is the bottom perspective view of the rotor of FIG. 1.

[56] References Cited

U.S. PATENT DOCUMENTS

3,380,343 4/1968 Chiabrandy et al. .... 89/12



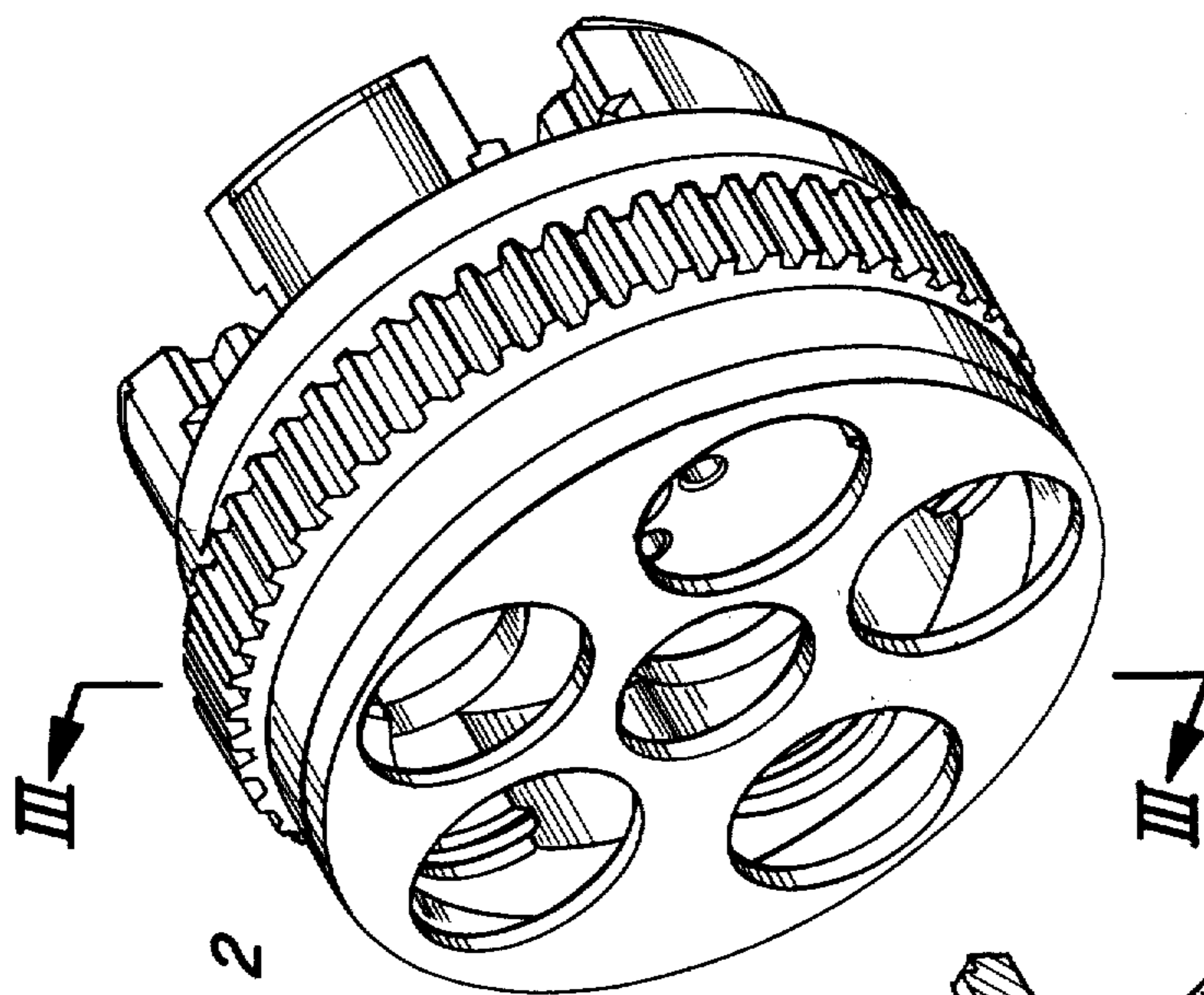


FIG. 2

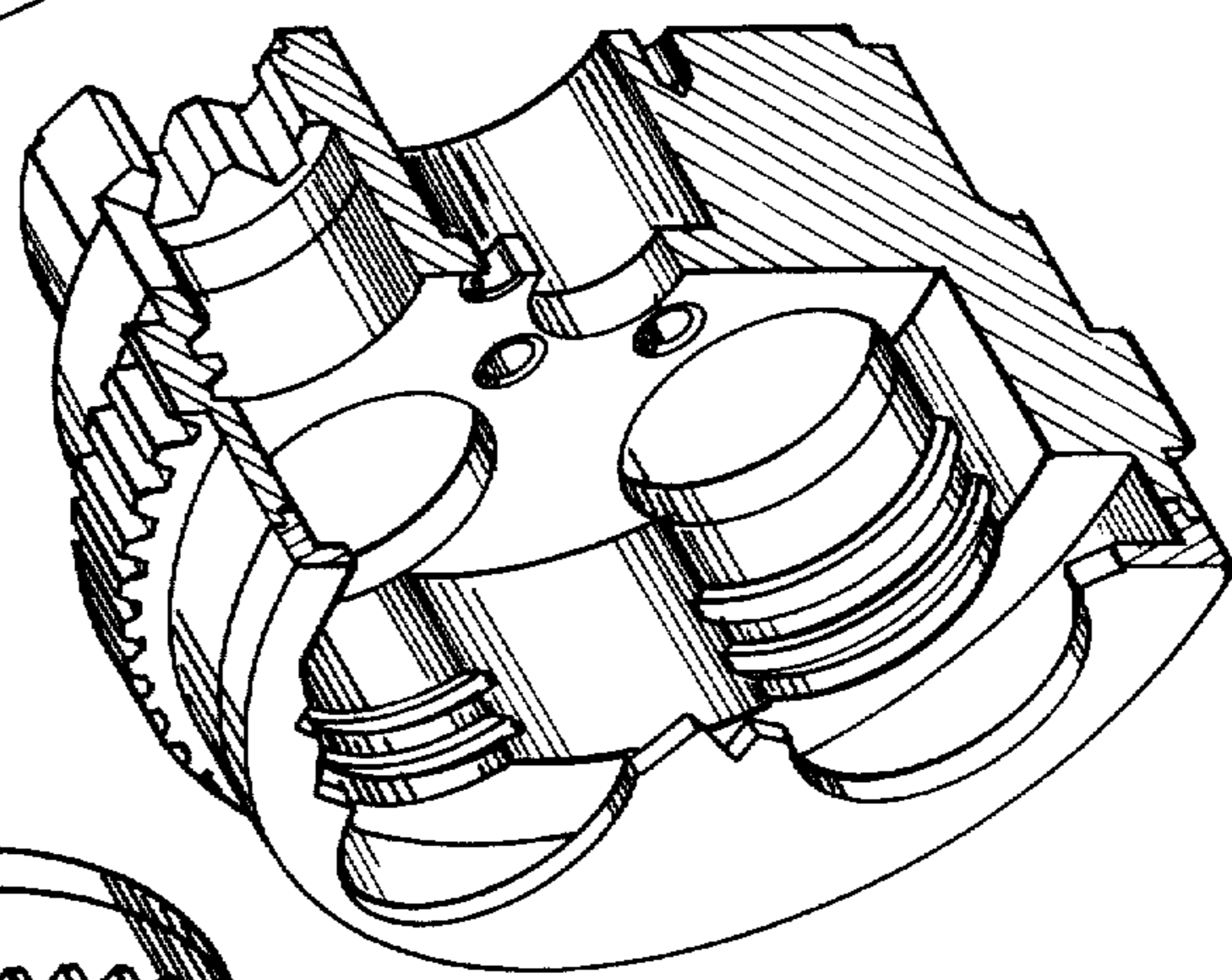


FIG. 3

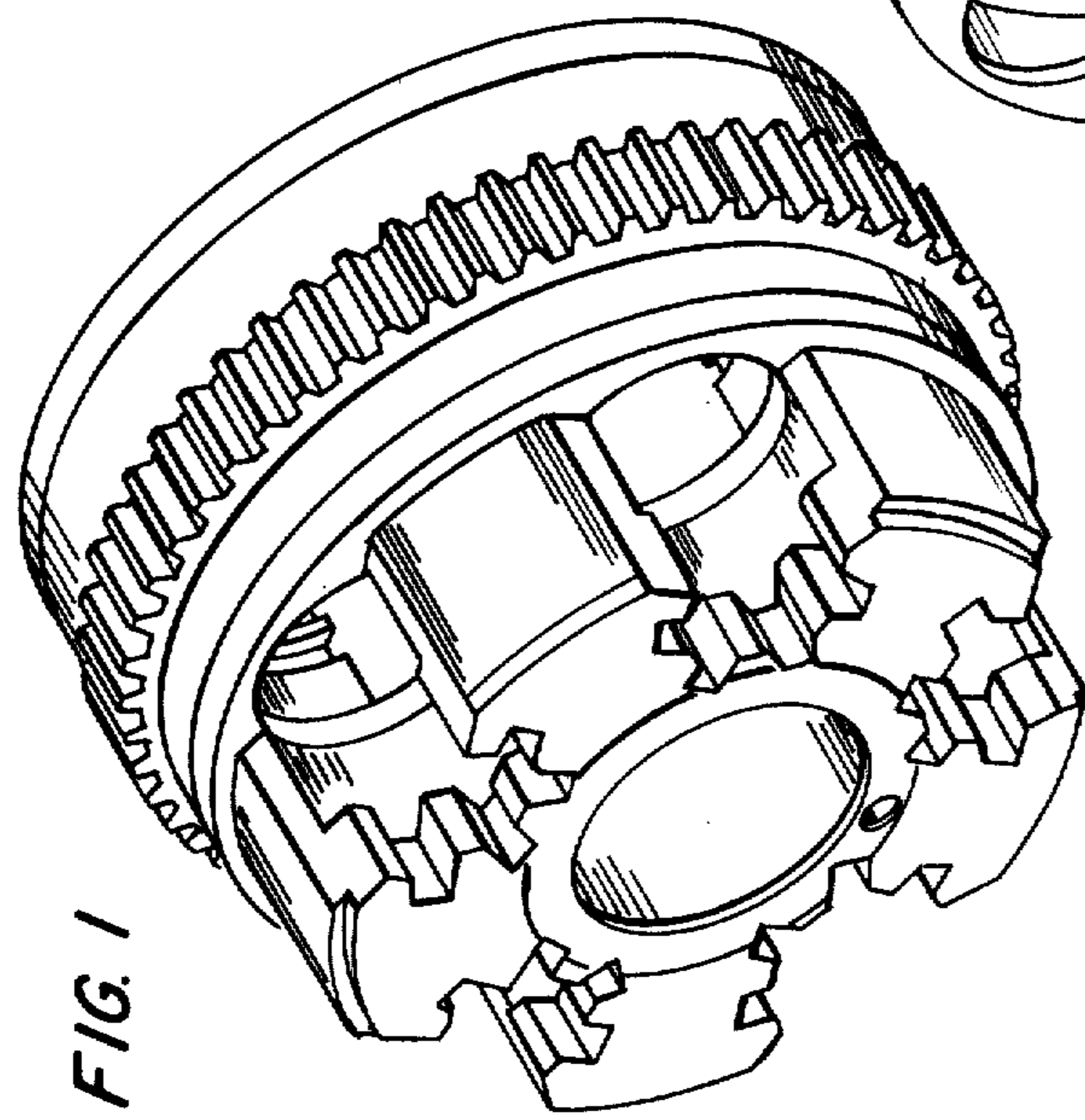


FIG. 1

