

[54] KICK PUNCHING TARGET

[76] Inventor: Dae K. Lee, 413 B N. Raleigh Ave., Atlantic City, N.J. 08401

[**] Term: 14 Years

[21] Appl. No.: 144,800

[22] Filed: Apr. 28, 1980

[51] Int. Cl. D21-02

[52] U.S. Cl. D21/199

[58] Field of Search D21/199; 272/76, 77, 272/78

[56] References Cited

U.S. PATENT DOCUMENTS

519,918	5/1894	MacLearn	272/78
925,342	6/1909	Johnson	272/78
1,612,796	1/1927	Abraham	272/78
3,022,072	2/1962	Zinnow	272/78

Primary Examiner—Melvin B. Feifer
Attorney, Agent, or Firm—Jordan and Hamburg

[57] CLAIM

The ornamental design for a kick punching target, substantially as shown and described.

DESCRIPTION

FIG. 1 is an isometric view of a single kick punching target incorporating my new design; and FIG. 2 is an isometric view of a double kick punching target incorporating my new design. The opposite side is similar to that shown.

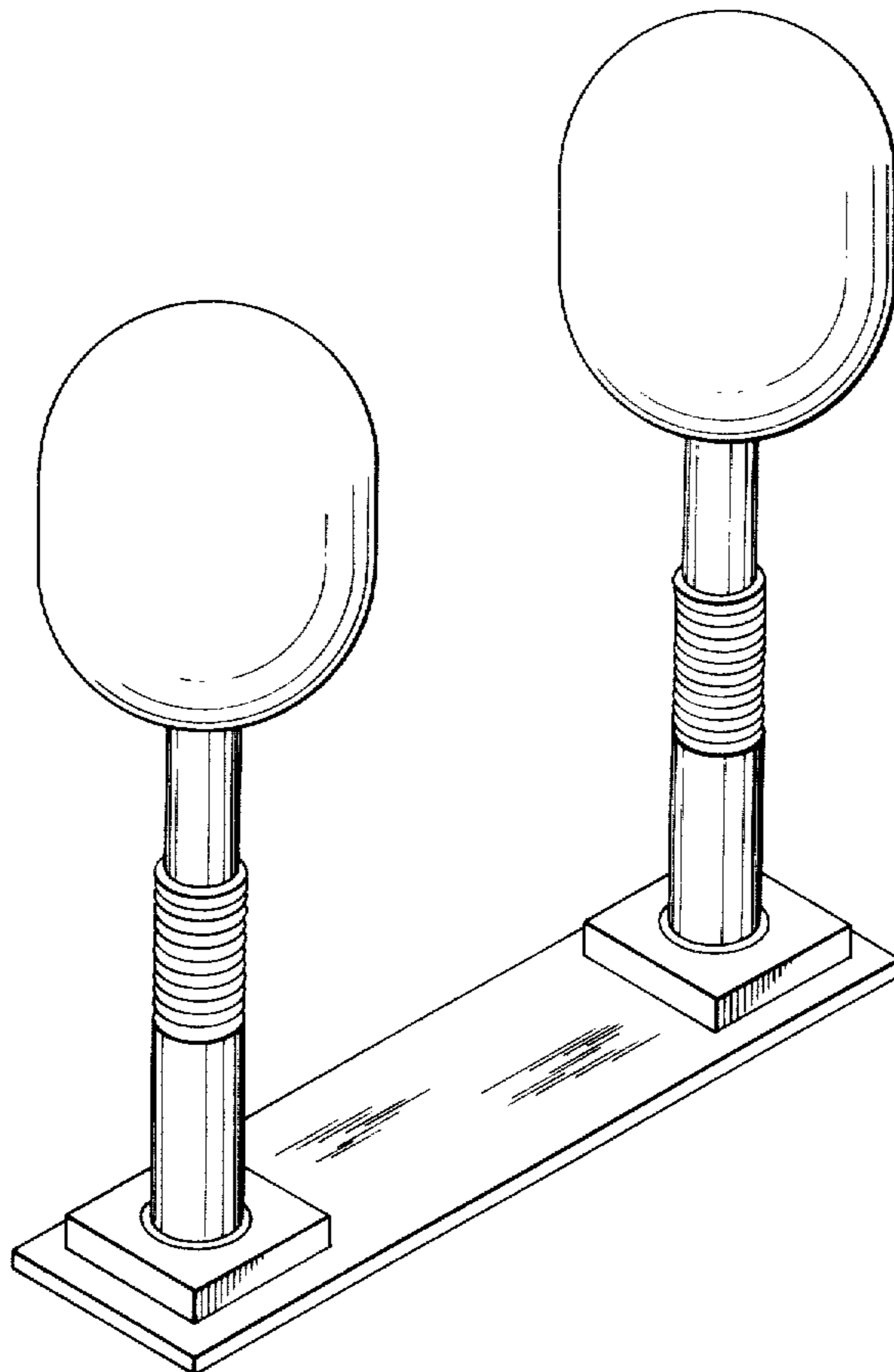


FIG. 1

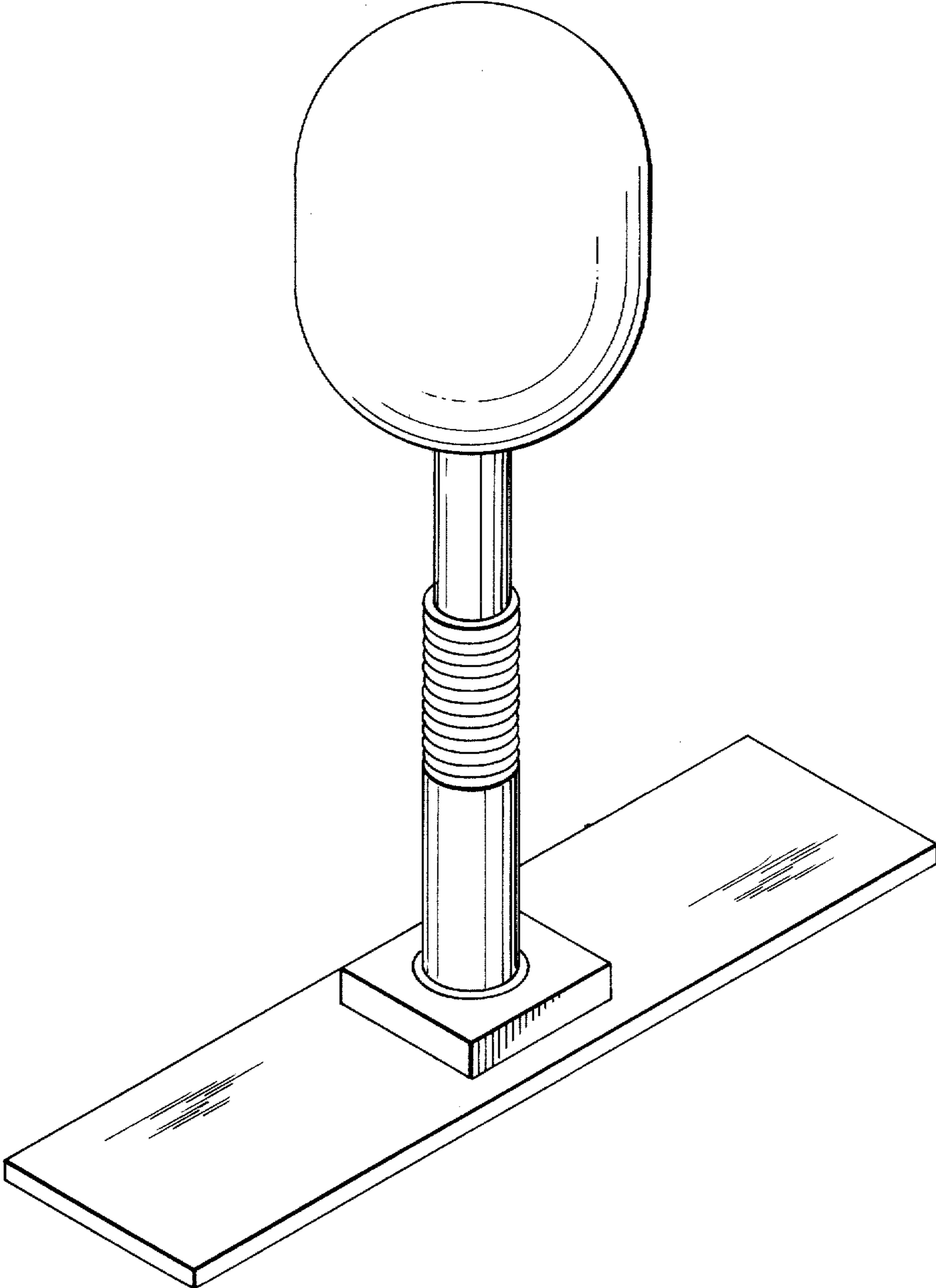


FIG. 2

