

[54] LETTER TRAY

[76] Inventor: Beverly C. Rich, 1310 Maywood Ave., Ruxton, Md. 21204

[**] Term: 14 Years

[21] Appl. No.: 135,268

[22] Filed: Mar. 31, 1980

[51] Int. Cl. D19-02

[52] U.S. Cl. D19/92

[58] Field of Search D19/92; 211/126, 181; 220/19

[56]

References Cited

U.S. PATENT DOCUMENTS

D. 33,269	9/1900	Rix	D19/92
D. 235,994	7/1975	Stiene	D19/92
2,554,232	5/1951	Young	220/19
3,704,791	12/1972	Young	220/19

Primary Examiner—George P. Word
Attorney, Agent, or Firm—Walter G. Finch

[57]

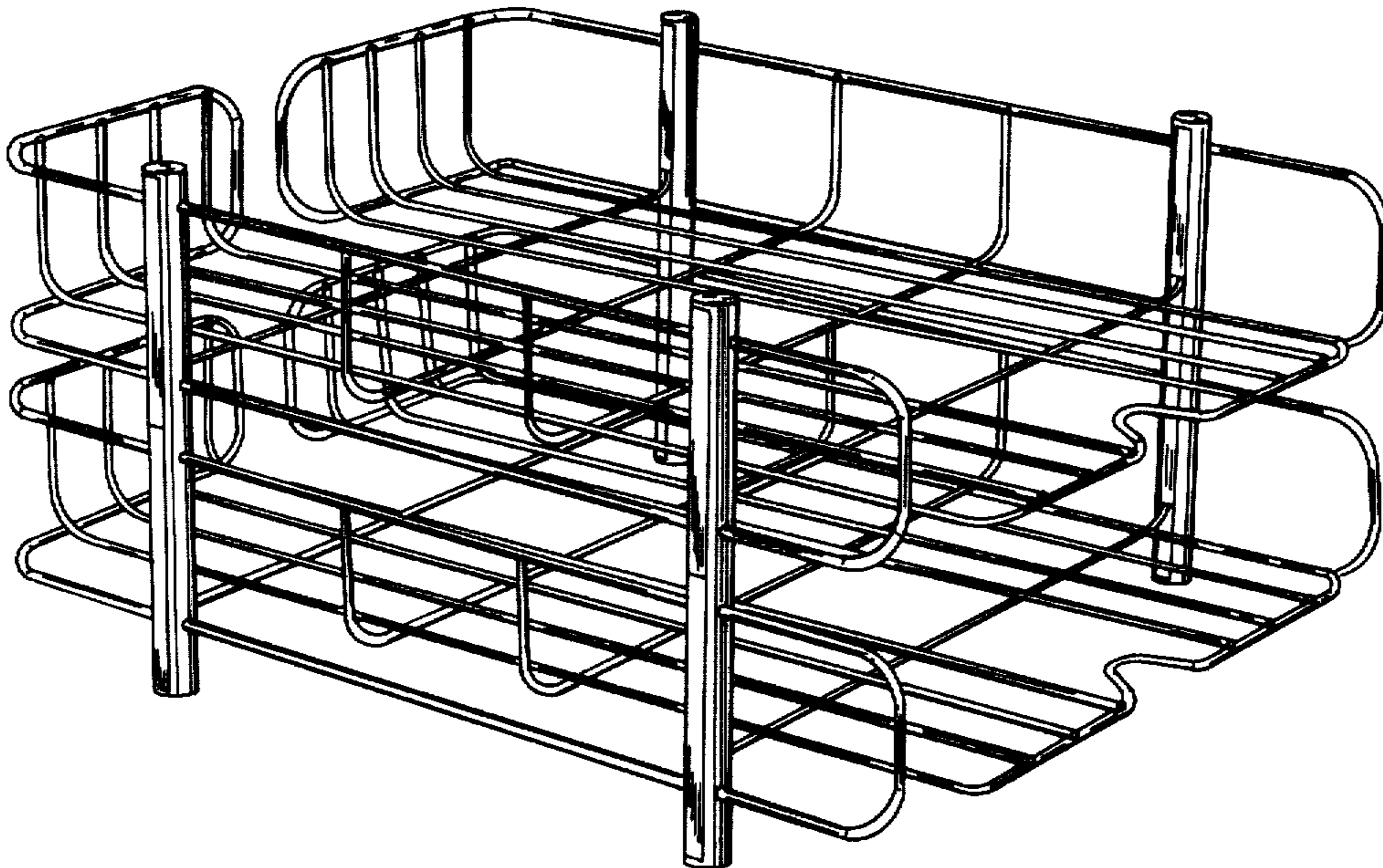
CLAIM

The ornamental design for a letter tray, as shown and described.

DESCRIPTION

FIG. 1 is a perspective view of a letter tray showing my new design;

FIG. 2 is an enlarged scale rear elevational view thereof.



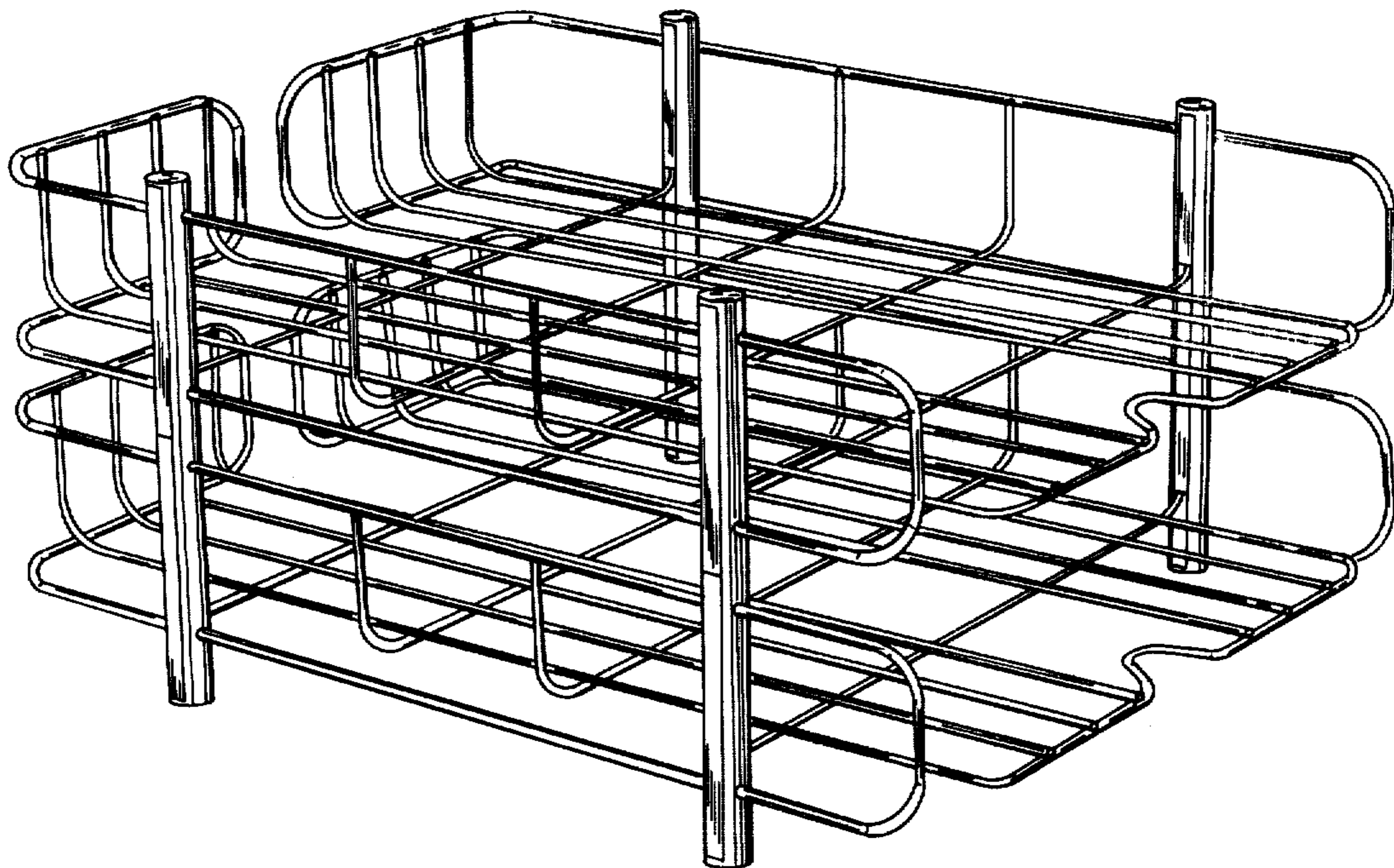


FIG. 1

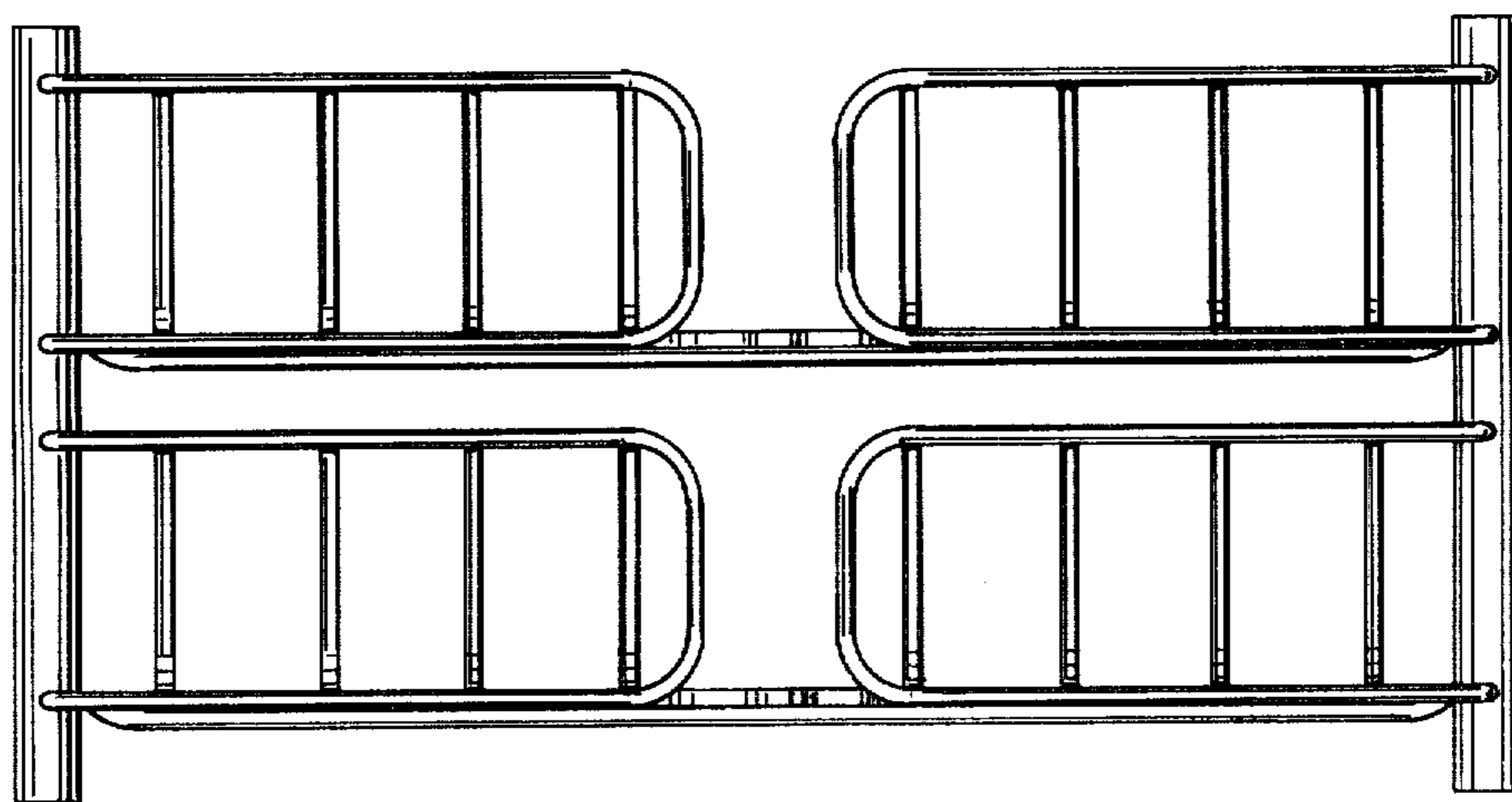


FIG. 2