

[54] **FELT PEN HOLDER**

[76] Inventor: **Peter M. Hedgeman**, 10909 Morrison St. #6, North Hollywood, Calif. 91601

[**] Term: **3½ Years**

[21] Appl. No.: **19,445**

[22] Filed: **Mar. 12, 1979**

[51] Int. Cl. **D19—06**

[52] U.S. Cl. **D19/85**

[58] Field of Search **D19/35, 36, 75, 77, D19/85; D6/114, 125, 137; 248/300, 538, 513**

[56] **References Cited**

U.S. PATENT DOCUMENTS

D. 37,722 12/1905 Benziger D19/85

D. 179,525 1/1957 Porter 248/513
D. 253,266 10/1979 Alburty D6/114
981,603 1/1911 Adelson 248/300
2,596,628 5/1952 Waldinger 248/538

Primary Examiner—George P. Word
Attorney, Agent, or Firm—Roger A. Marrs

[57] **CLAIM**

The ornamental design for felt pen holder, substantially as shown and described.

DESCRIPTION

FIG. 1 is a perspective view of a felt pen holder showing my new design;
FIG. 2 is a rear perspective view thereof;
FIG. 3 is an enlarged scale left side elevational view thereof;
FIG. 4 is a front elevational view thereof; and
FIG. 5 is a top plan view thereof.

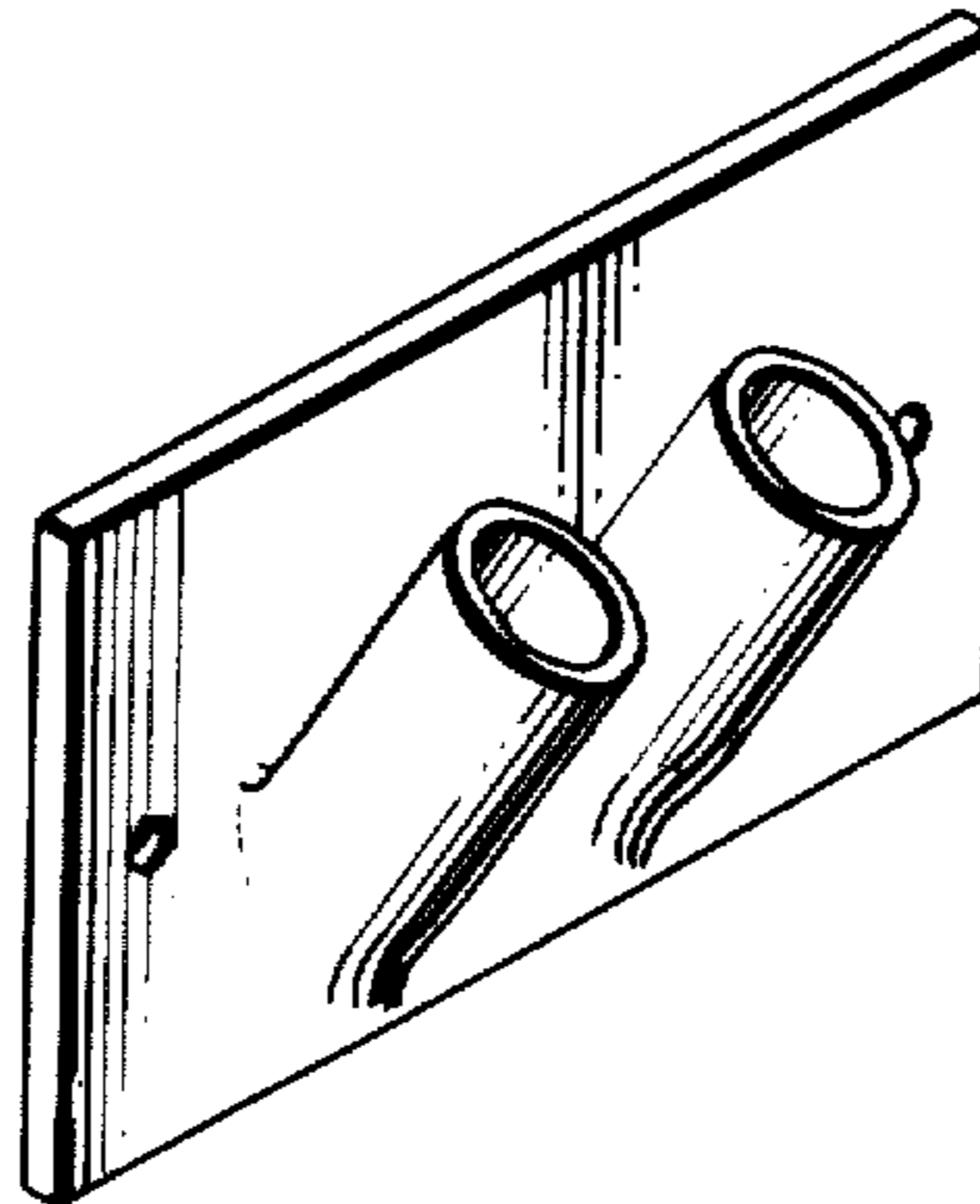


FIG. 1

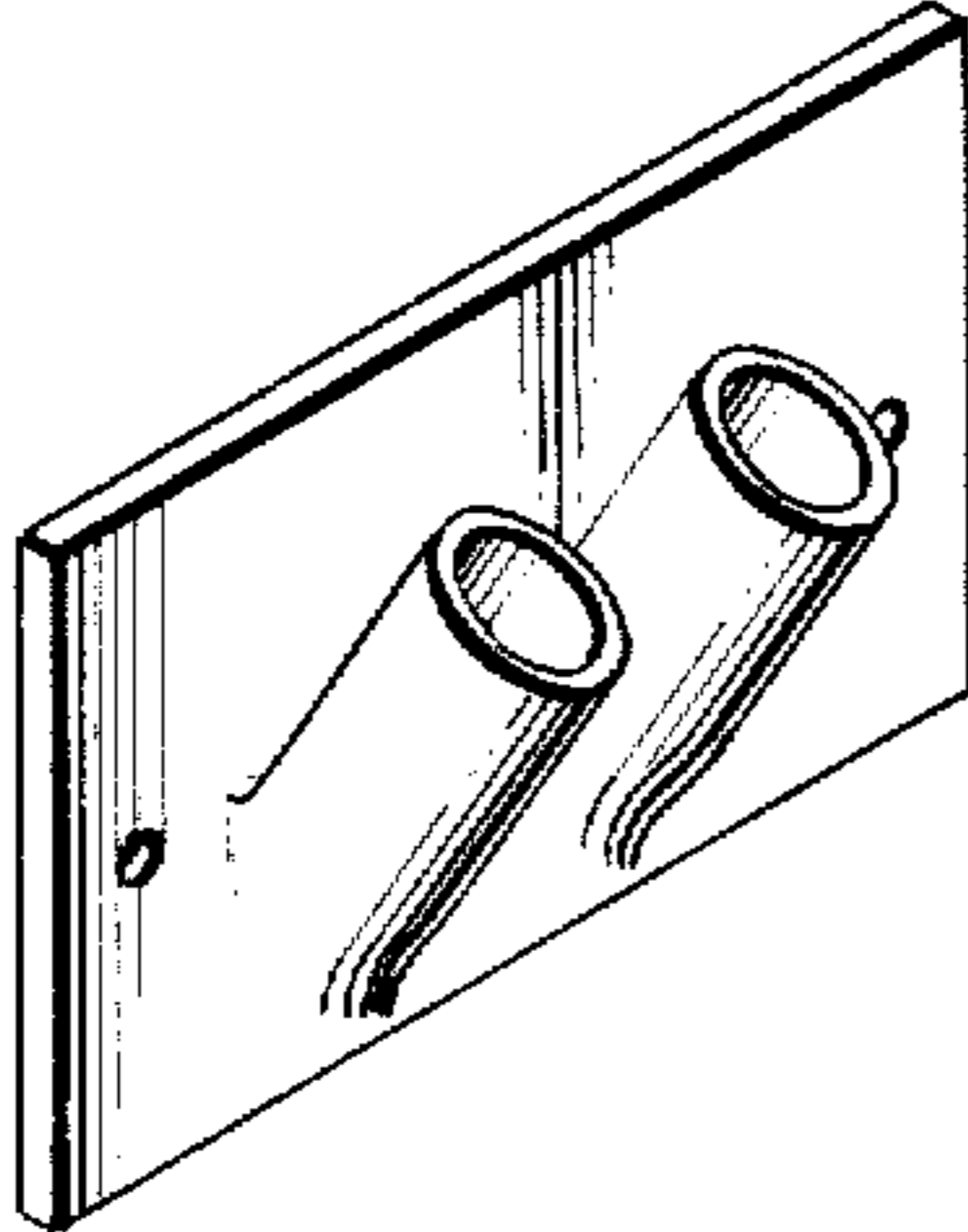


FIG. 2

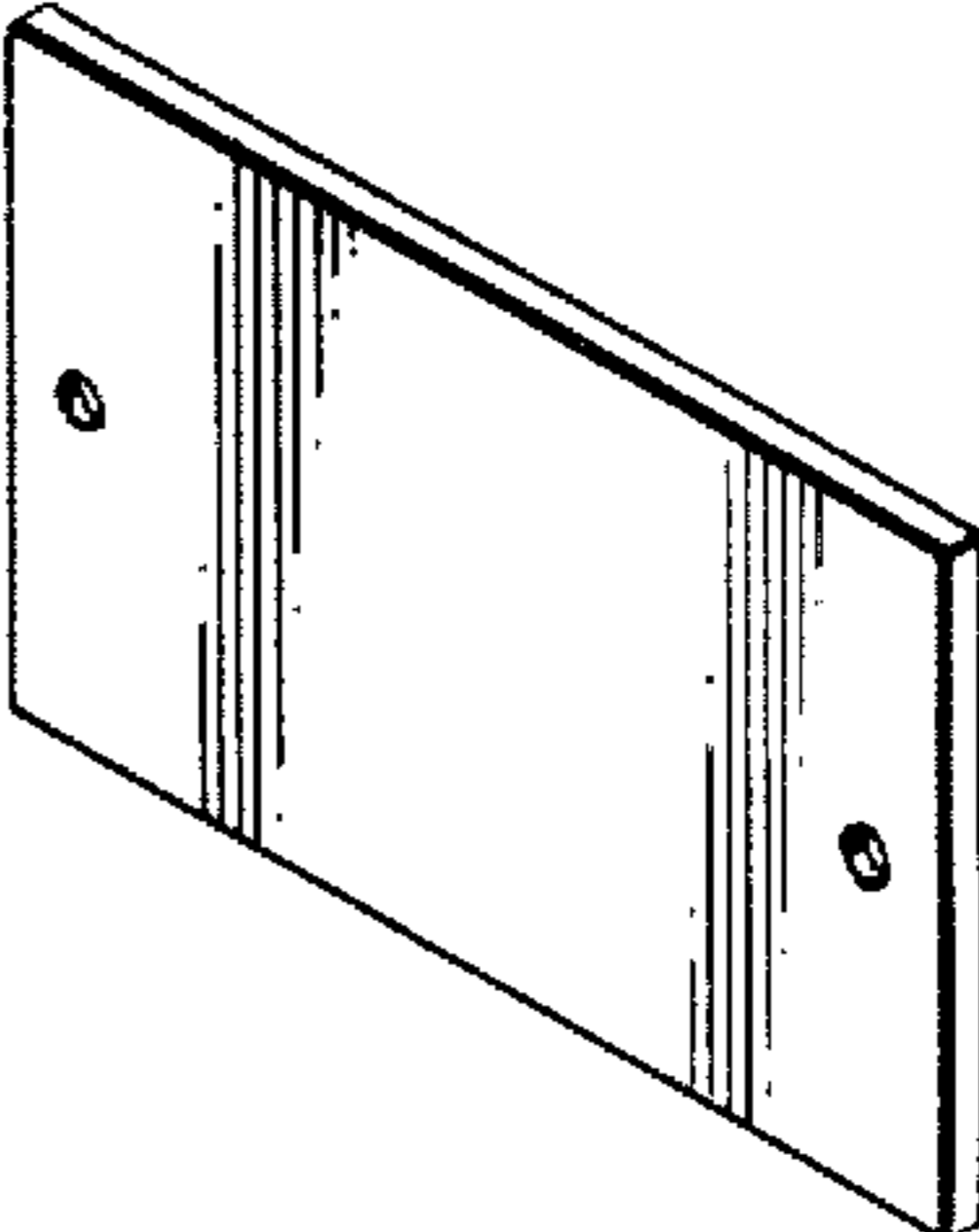


FIG. 3

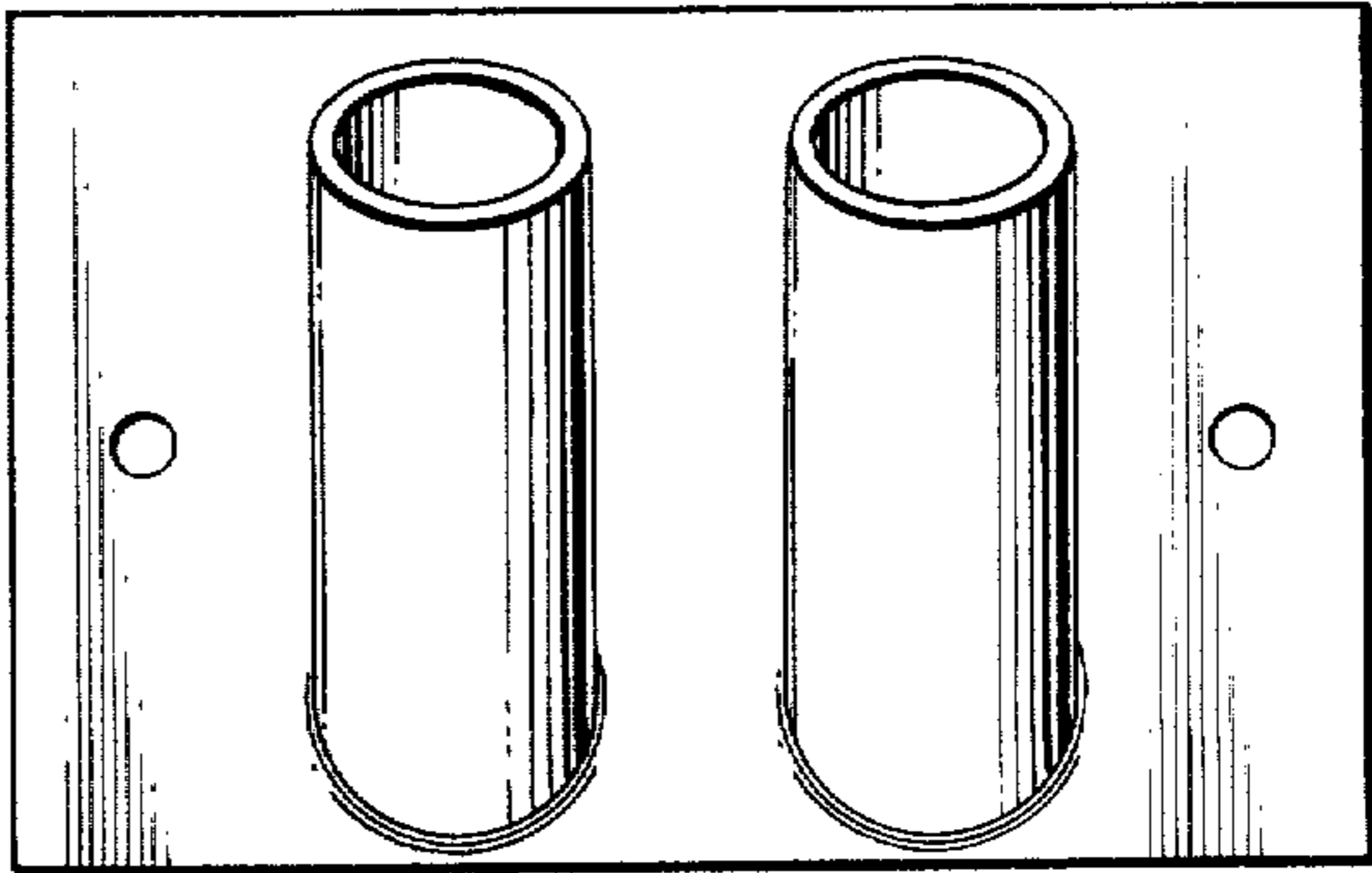
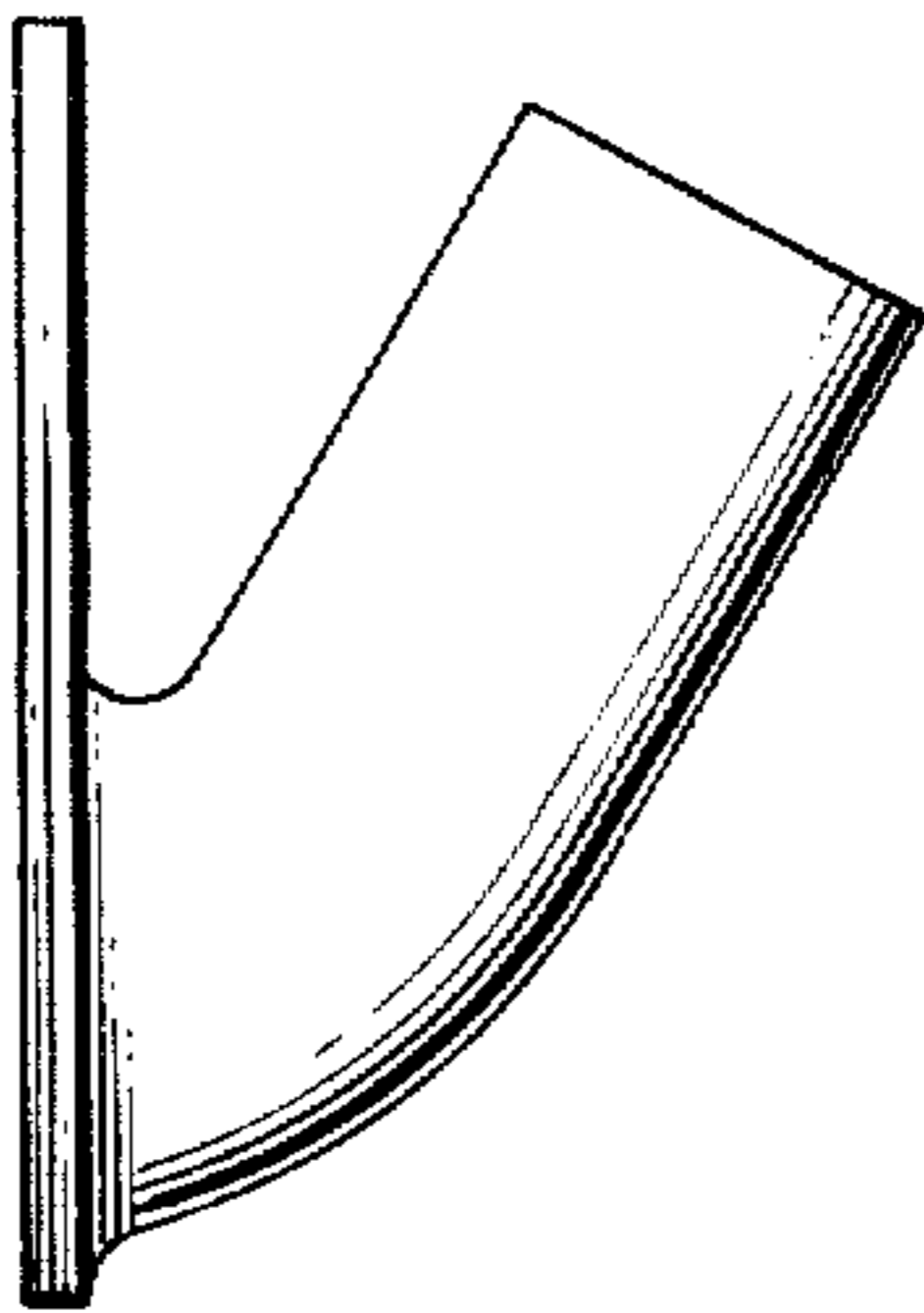


FIG. 4

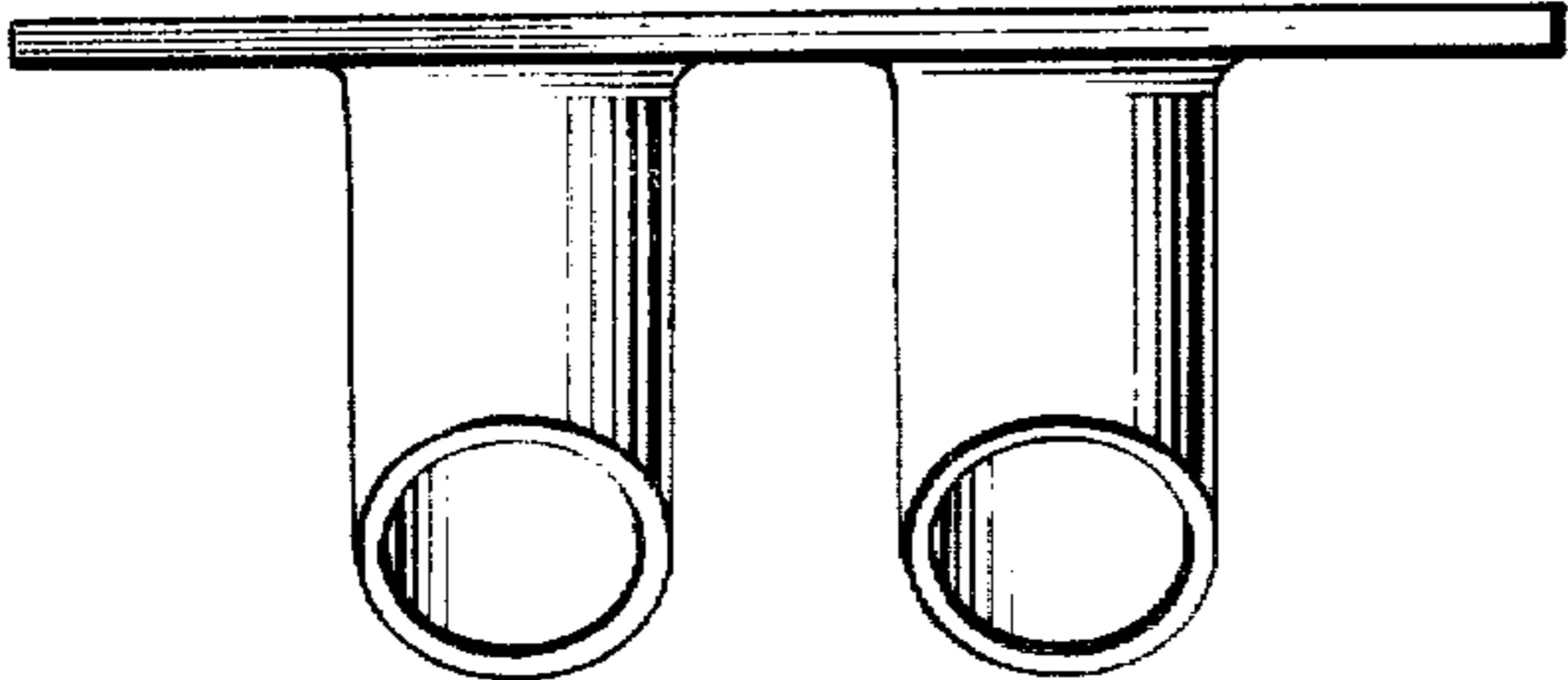


FIG. 5