

[54] **TABLET COUNTING TRAY**

[76] **Inventor:** **John C. Habenstein**, 42 Cedar Brook Dr., Somerset, N.J. 08873

[\*\*] **Term:** **14 Years**

[21] **Appl. No.:** **88,007**

[22] **Filed:** **Oct. 25, 1979**

[51] **Int. Cl.** ..... **D15—99**

[52] **U.S. Cl.** ..... **D15/140**

[58] **Field of Search** ..... **D15/140; D10/97 X; 209/703; D9/292, 200**

[56]

**References Cited**

**U.S. PATENT DOCUMENTS**

D. 236,538 8/1975 Adams ..... D15/140  
3,747,756 7/1973 Wheeler ..... 209/703

*Primary Examiner*—Nelson C. Holtje  
*Attorney, Agent, or Firm*—Martha G. Pugh

[57]

**CLAIM**

The ornamental design for a tablet counting tray, as shown and described.

**DESCRIPTION**

FIG. 1 is a top left perspective view of a tablet counting tray showing my new design;

FIG. 2 is a bottom right perspective view thereof;

FIG. 3 is a front perspective view thereof; and

FIG. 4 is a top rear perspective view thereof.

The sides not shown in the perspective views are similar in form to those shown.

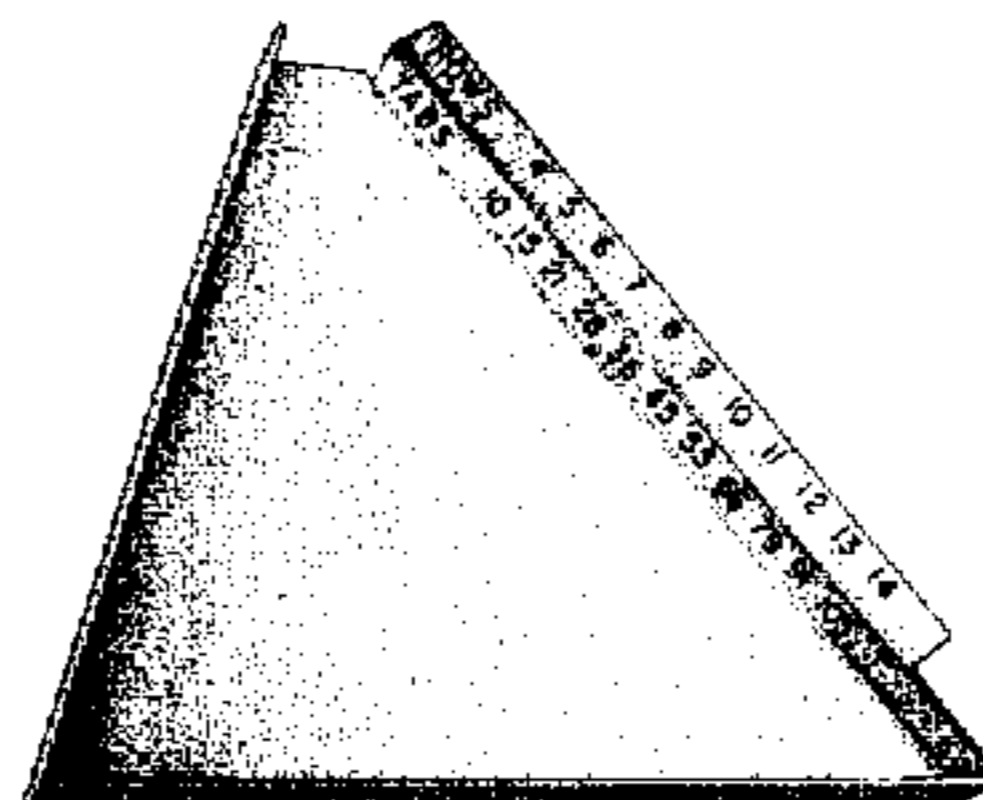


FIG. 1

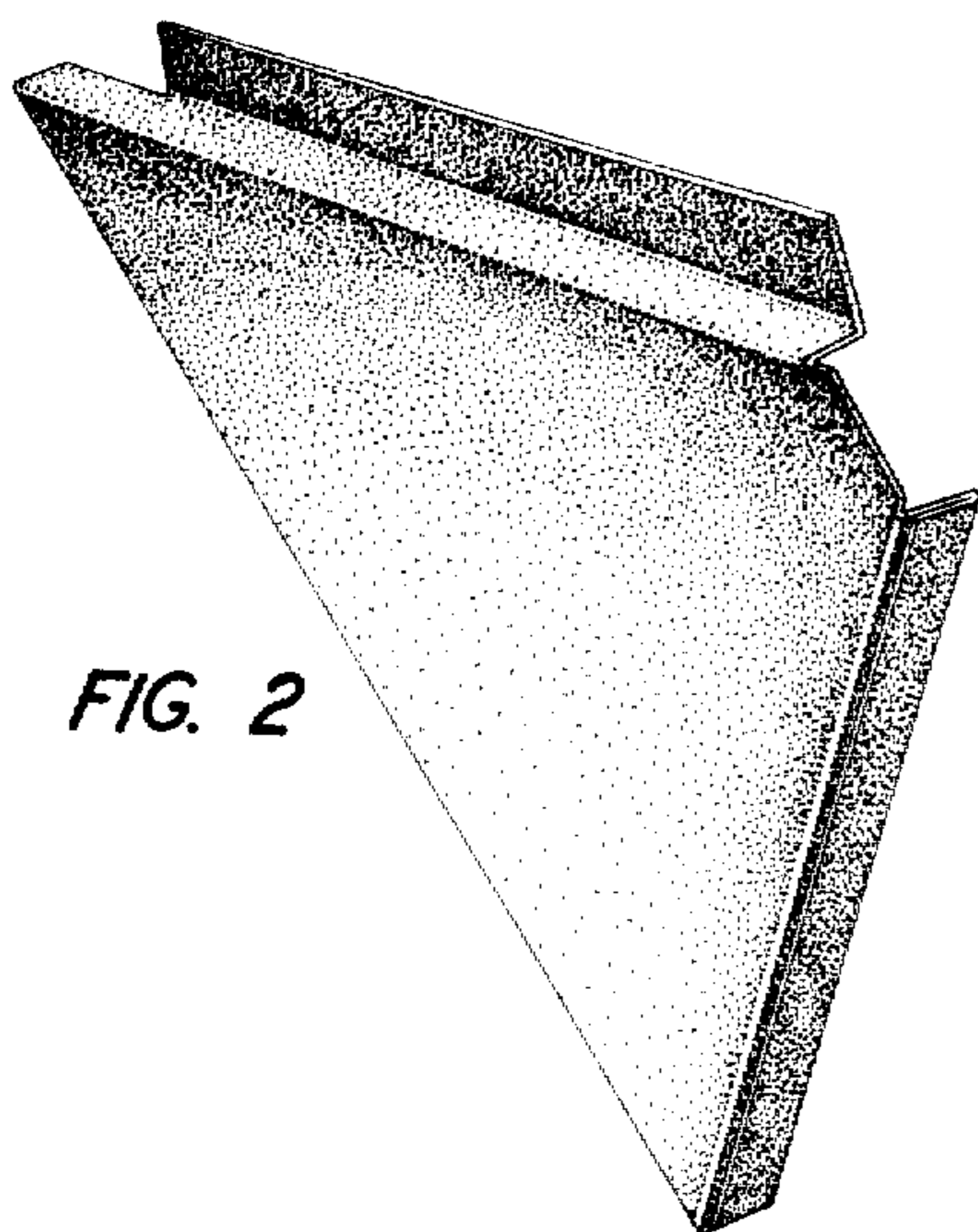
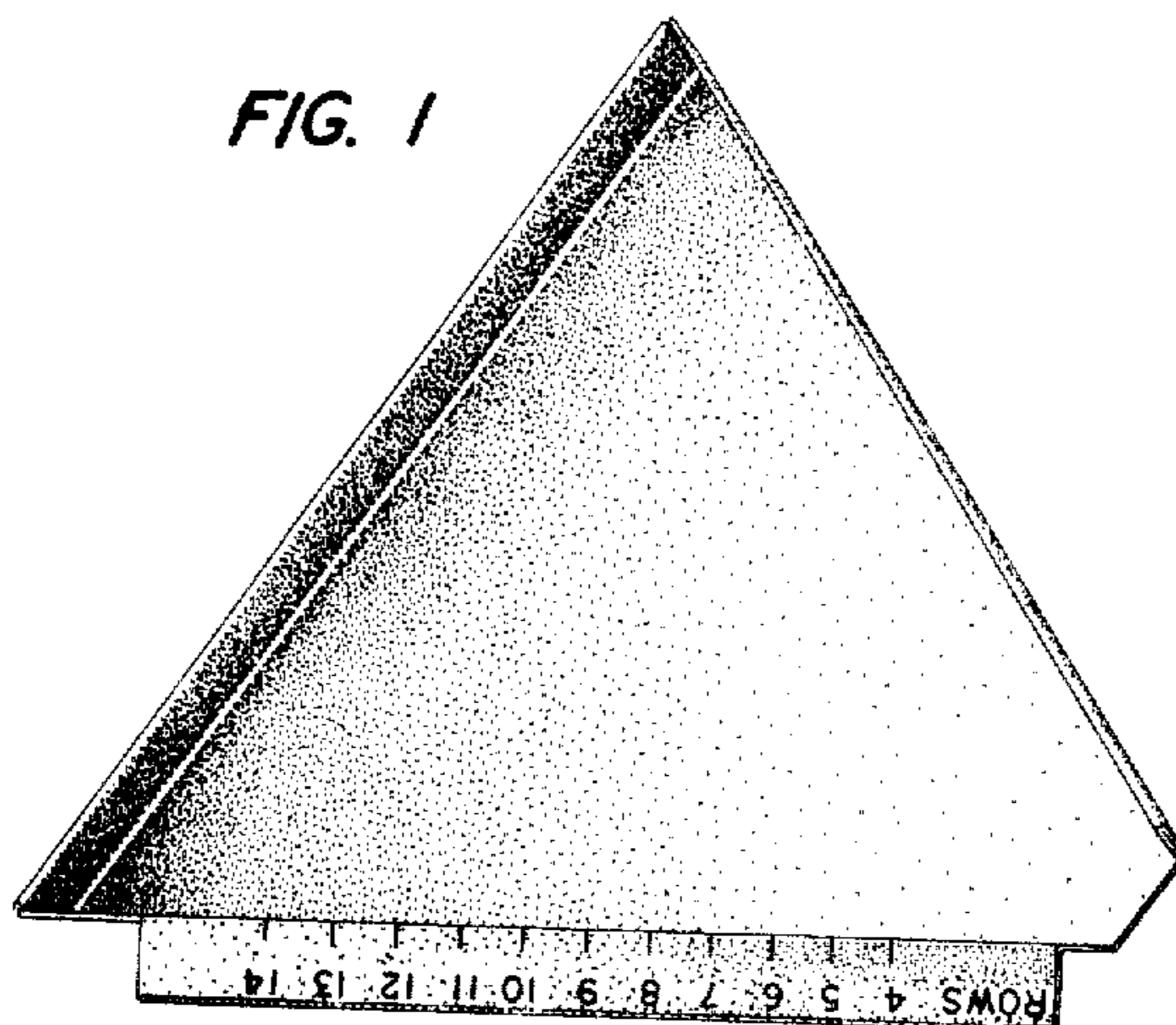


FIG. 2

FIG. 3

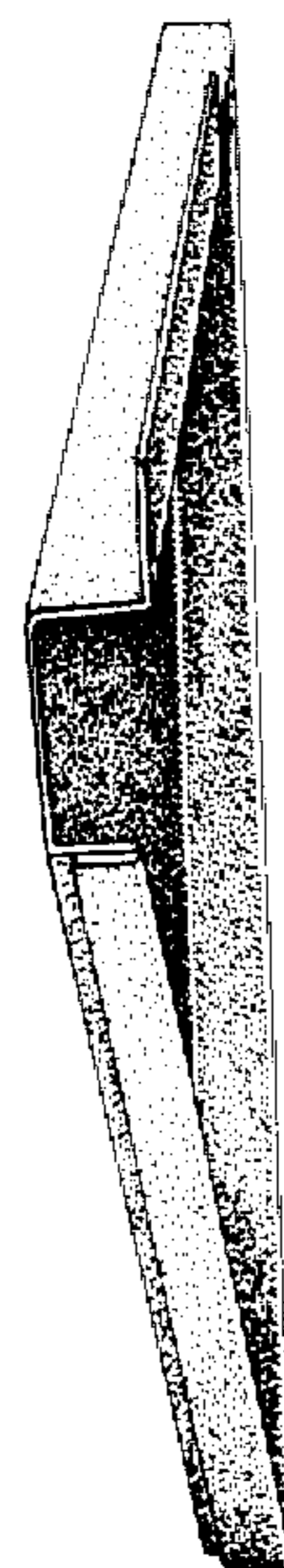


FIG. 4

