

[54] **ABRADING ELEMENT SUPPORT  
STRUCTURE**

[75] Inventor: **Glenn A. Stertzbach, Getzville, N.Y.**

[73] Assignee: **Vonscot Industries Incorporated,  
Clarence, N.Y.**

[\*] Notice: **The portion of the term of this patent  
subsequent to Jul. 15, 1997, has been  
disclaimed.**

[\*\*] Term: **14 Years**

[21] Appl. No.: **965,153**

[22] Filed: **Nov. 30, 1978**

[51] Int. Cl. .... **D15-09**

[52] U.S. Cl. .... **D15/126**

[58] Field of Search ..... **51/204, 331, 338;  
D15/126, 140**

[56] **References Cited**

**U.S. PATENT DOCUMENTS**

D. 138,596	8/1944	Krandall	.....	D15/126
D. 162,433	3/1957	Nomann et al.	.....	D15/126 X
D. 206,955	2/1967	Abrams	.....	D15/140
4,212,136	7/1980	Stertzbach	.....	51/204

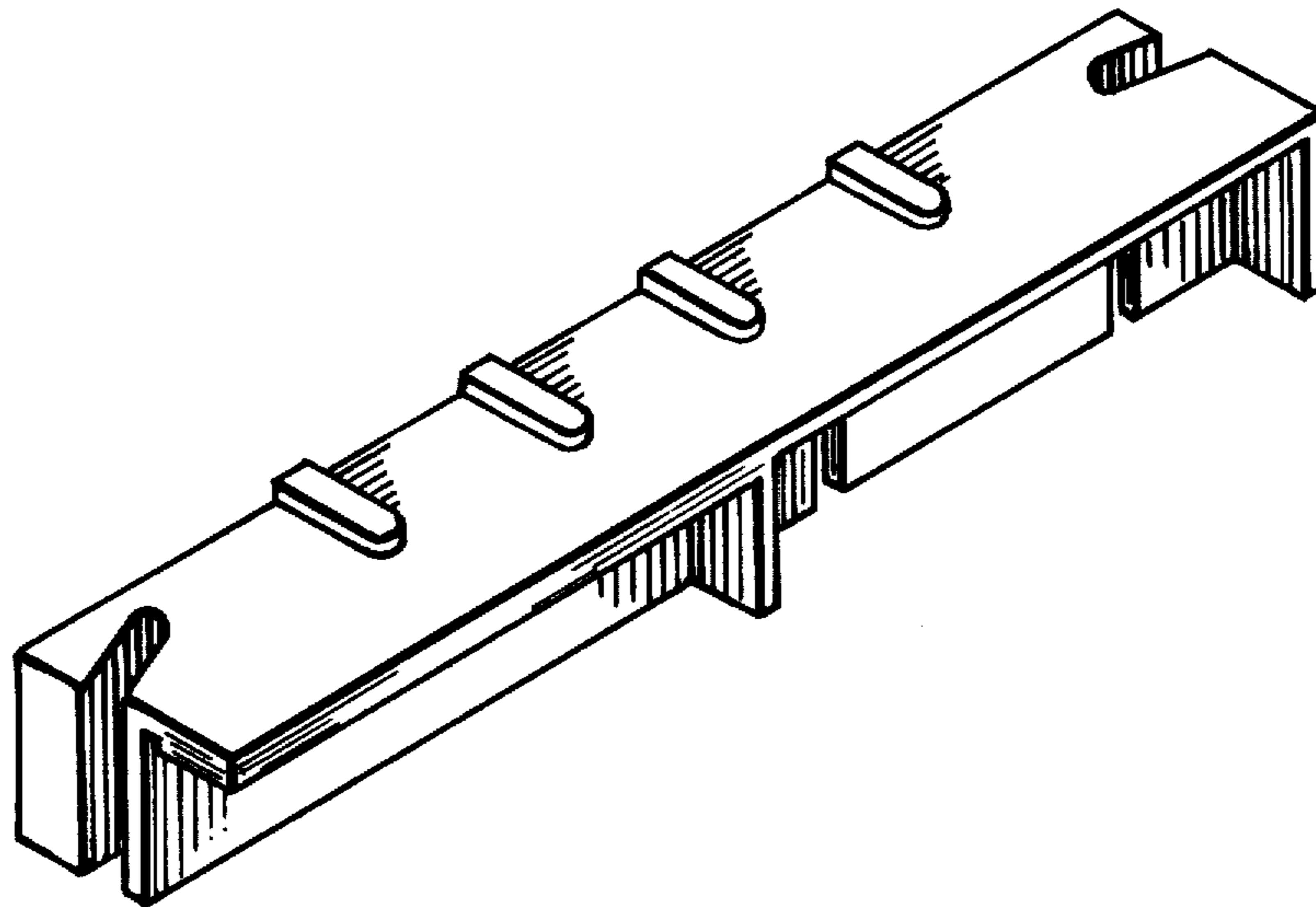
*Primary Examiner*—Alan P. Douglas  
*Attorney, Agent, or Firm*—William J. Crossetta, Jr.

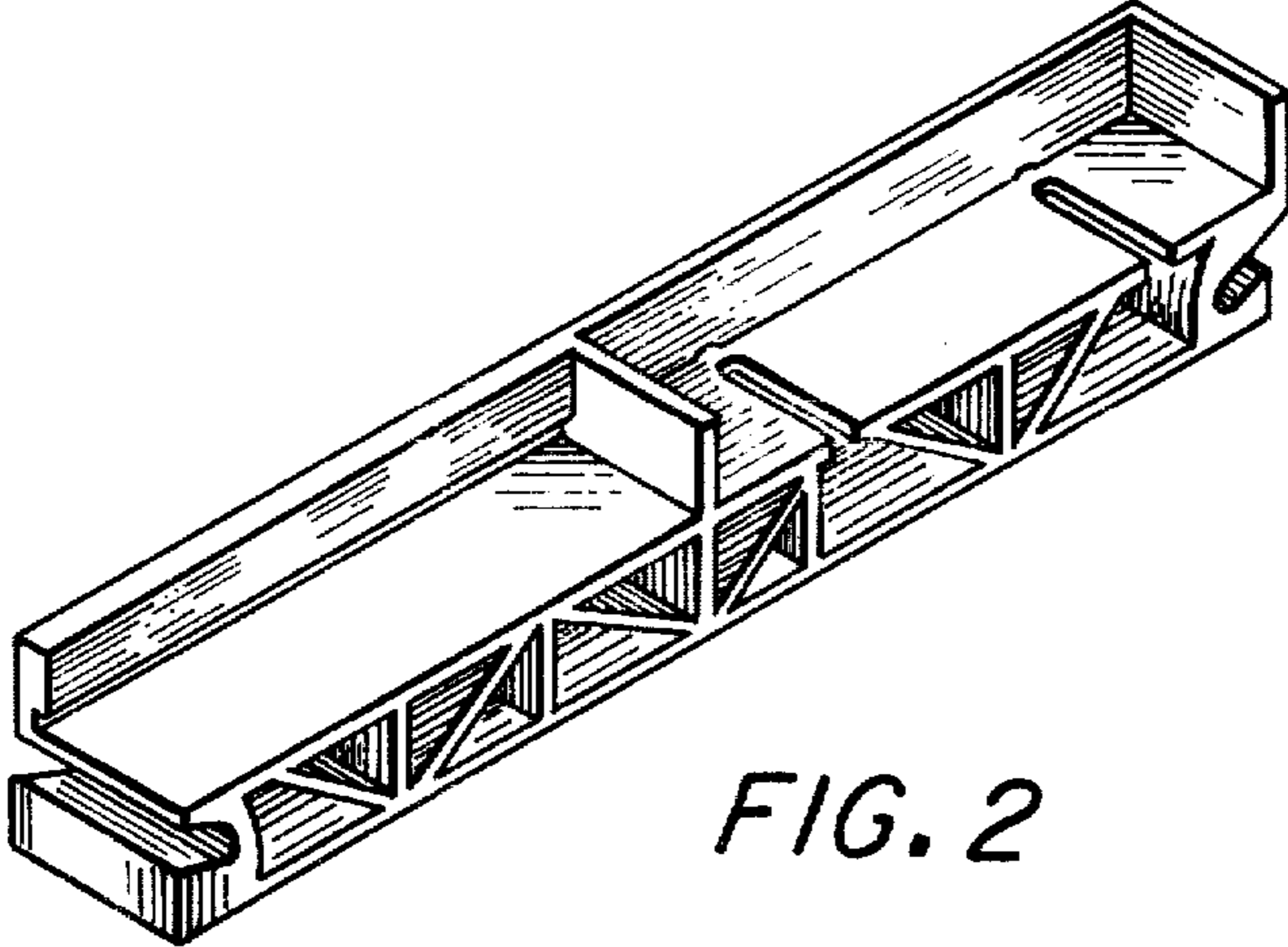
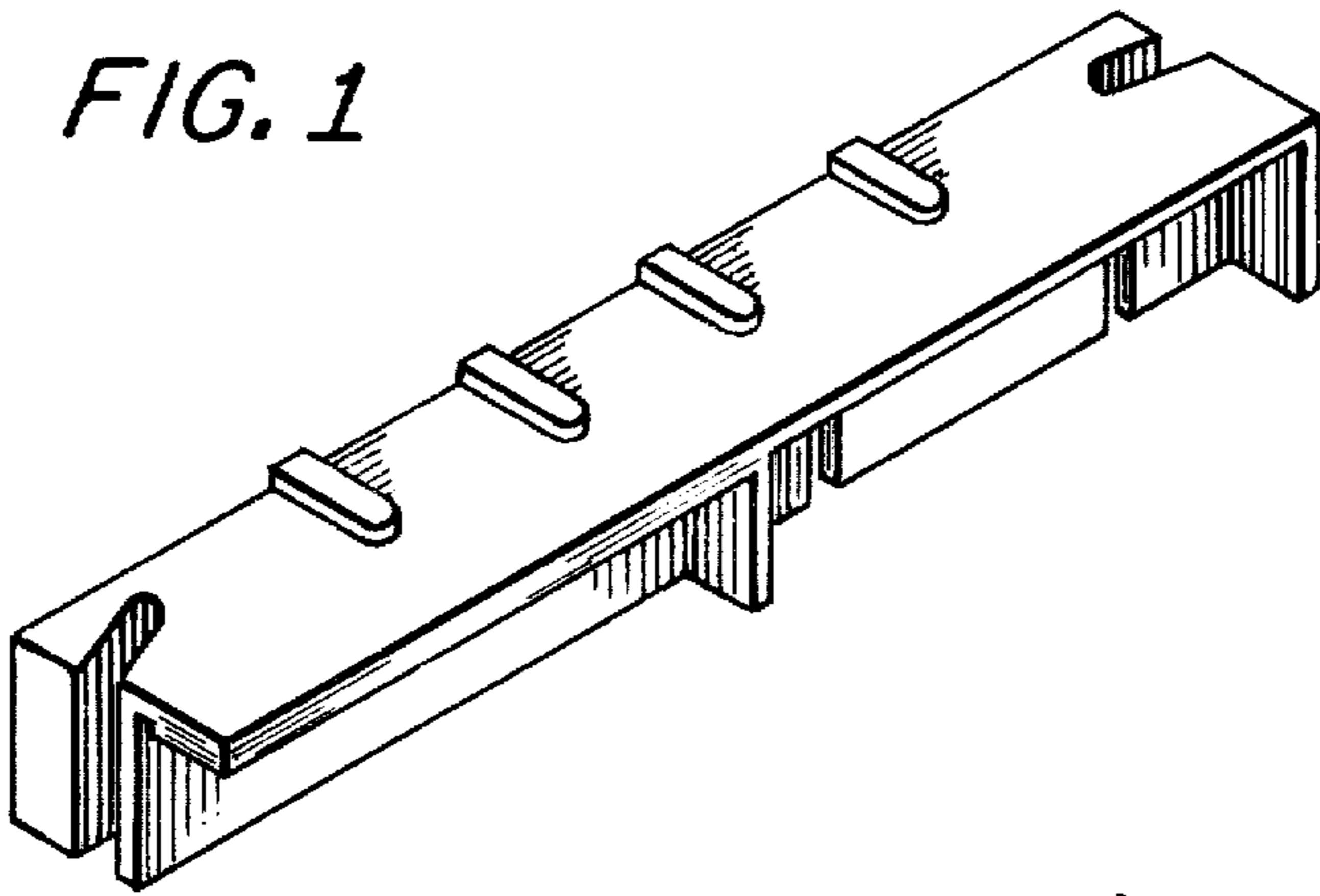
[57] **CLAIM**

The ornamental design for an abrading element support structure, as shown and described.

**DESCRIPTION**

FIG. 1 is a perspective view of an abrading element support structure of the present invention;  
FIG. 2 is a perspective view thereof from the opposite side;  
FIG. 3 is a top view thereof;  
FIG. 4 is a front side view thereof;  
FIG. 5 is a bottom view thereof;  
FIG. 6 is a back side view thereof;  
FIG. 7 is a right end view thereof; and  
FIG. 8 is a left end view thereof.





*FIG. 2*



FIG. 3



FIG. 8

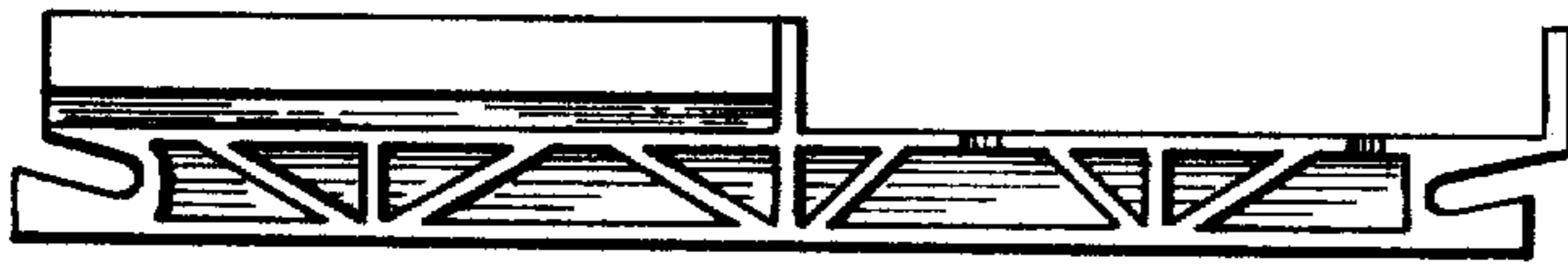


FIG. 4



FIG. 7



FIG. 5



FIG. 6