

[54] RADIO RECEIVER

[75] Inventors: Masanori Hamada, Yao; Yoshiyuki Saigo, Hirakata, both of Japan

[73] Assignee: Matsushita Electric Industrial Co., Ltd., Osaka, Japan

[**] Term: 14 Years

[21] Appl. No.: 192,400

[22] Filed: Sep. 30, 1980

[30] Foreign Application Priority Data

Apr. 2, 1980 [JP] Japan 55-13173

[51] Int. Cl. D14-03

[52] U.S. Cl. D14/70

[58] Field of Search D14/1, 2, 5, 6, 68, D14/70-76, 79, 95, 99

[56] References Cited

U.S. PATENT DOCUMENTS

D. 247,780 4/1978 Kawano D14/70

D. 248,652 7/1978 Taguchi D14/70

OTHER PUBLICATIONS

Heathkit Spring 1976 Cat. 808, p. 71, Item #HW-202. Evans 1979-1980 Cat., p. 245X, Item #19, Magnavox Radio. Best Products 1980 Buyer's Book, ©1979, p. 347, Items "C" & F, respectively, Emerson & Panasonic Radios.

Primary Examiner—Jane E. Corrigan
Attorney, Agent, or Firm—Sughrue, Mion, Zinn, Macpeak and Seas

[57] CLAIM

The ornamental design for a radio receiver, as shown.

DESCRIPTION

FIG. 1 is a front, top and right side perspective view of a radio receiver showing our new design; FIG. 2 is a rear, bottom and left side perspective view thereof; FIG. 3 is a top plan view thereof; and FIG. 4 is a right side elevational view thereof.

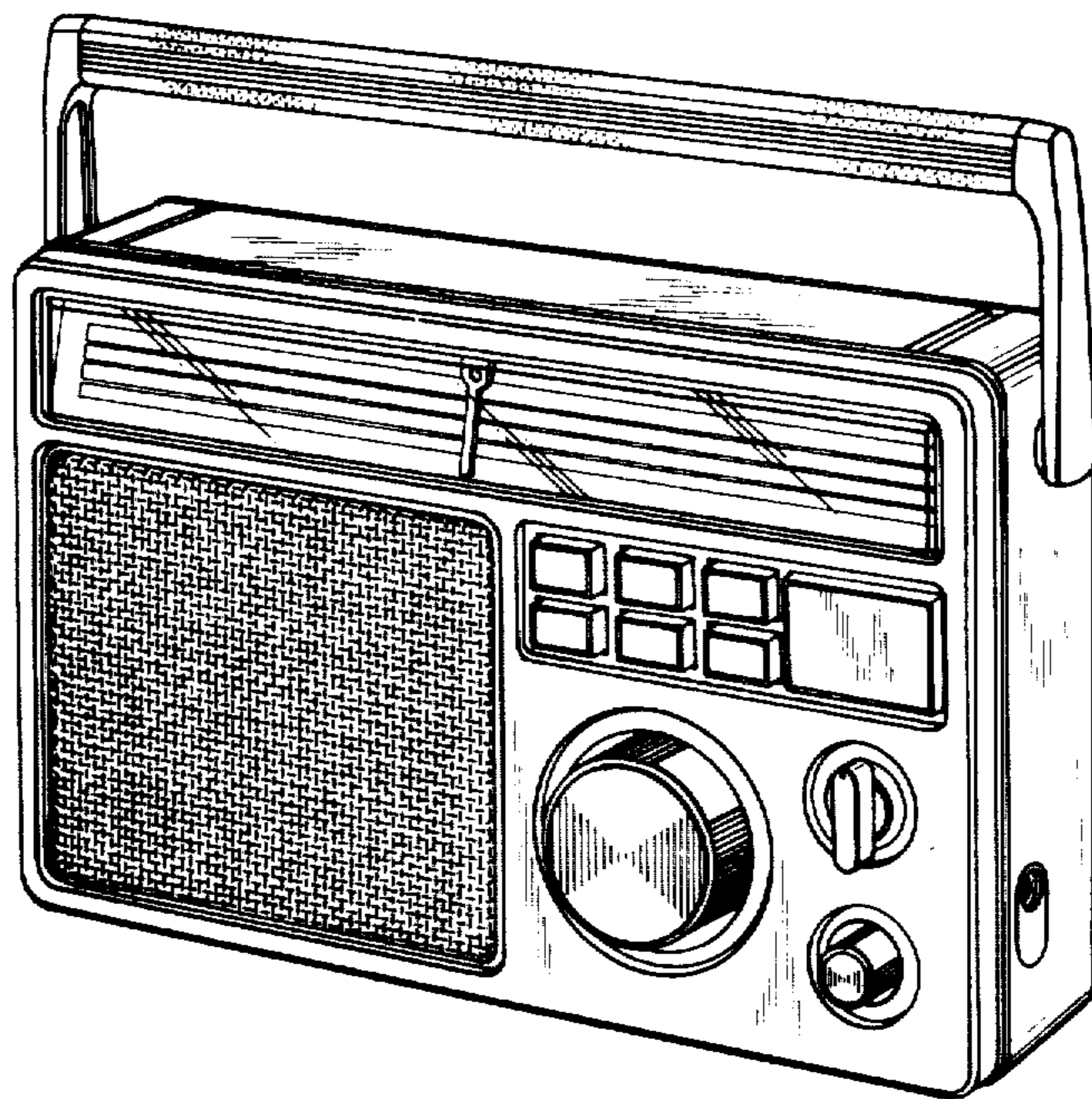


FIG. 1

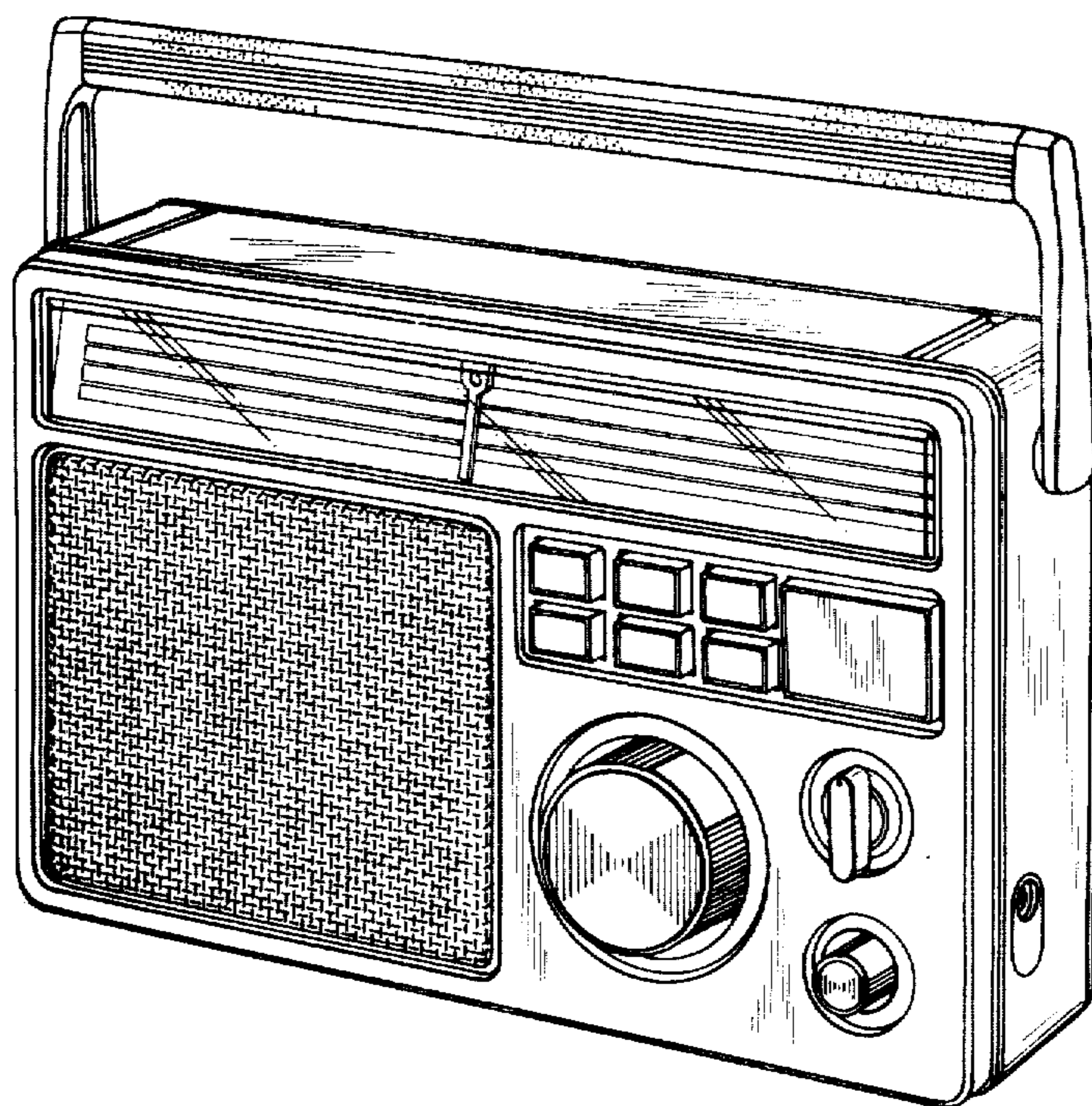


FIG. 2

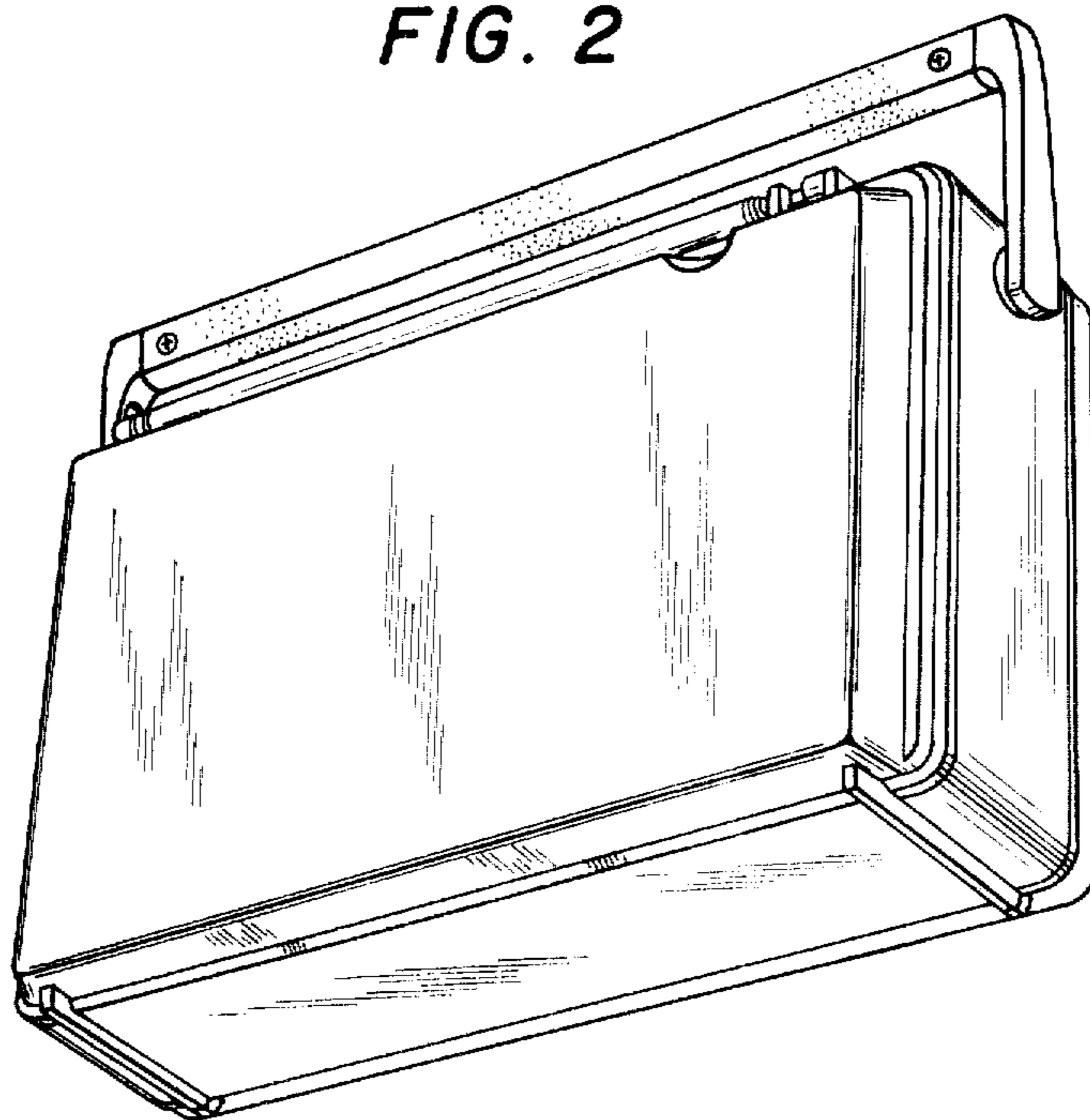


FIG. 3

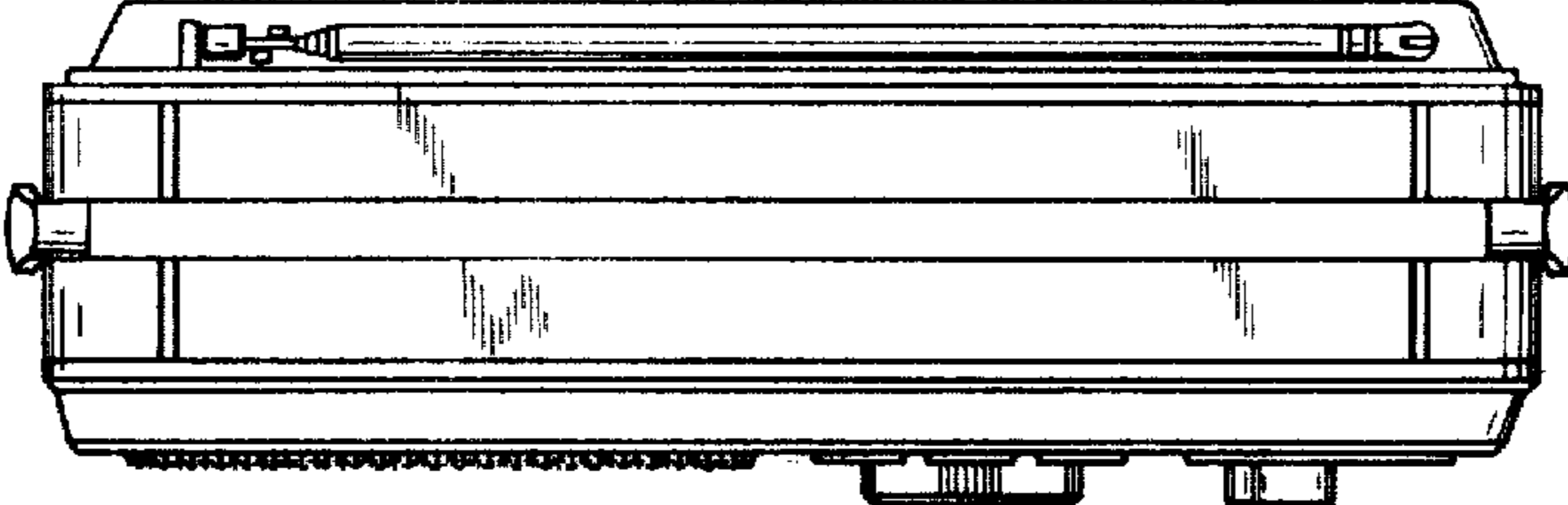


FIG. 4

