

[54] **CORD SLACK GAUGE**

[76] **Inventor:** Harry Eisen, 16421 Chatsworth St.,
Granada Hills, Calif. 91344

[**] **Term:** 14 Years

[21] **Appl. No.:** 168,261

[22] **Filed:** Jul. 10, 1980

[51] **Int. Cl.** D10—04

[52] **U.S. Cl.** D10/70; D10/64;
D10/83

[58] **Field of Search** D10/64, 70, 83, 89;
73/862.45, 862.46

[56] **References Cited**

U.S. PATENT DOCUMENTS

2,022,844 12/1935 Christian 73/862.45 X
2,383,537 8/1945 Elvin 73/862.45
4,135,393 1/1979 Jordan 73/862.46

Primary Examiner—Nelson C. Holtje
Attorney, Agent, or Firm—Fulwider, Patton, Rieber,
Lee & Utecht

[57] **CLAIM**

The ornamental design for a cord slack gauge, substantially as shown.

DESCRIPTION

FIG. 1 is a perspective view of the cord slack gauge showing my new design;
FIG. 2 is a bottom plan view thereof;
FIG. 3 is a left side elevational view thereof;
FIG. 4 is a rear elevational view thereof.

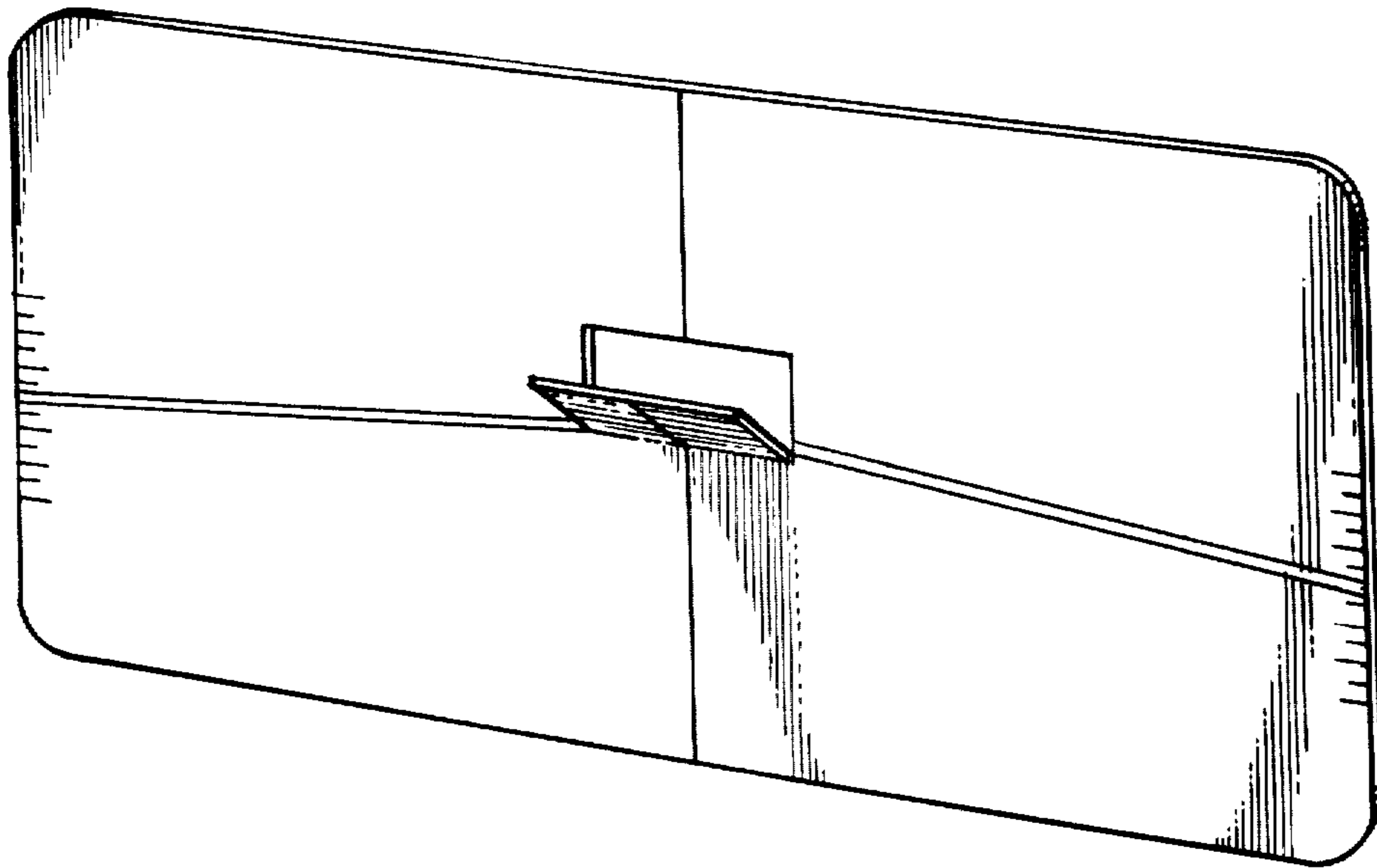


Fig. 1

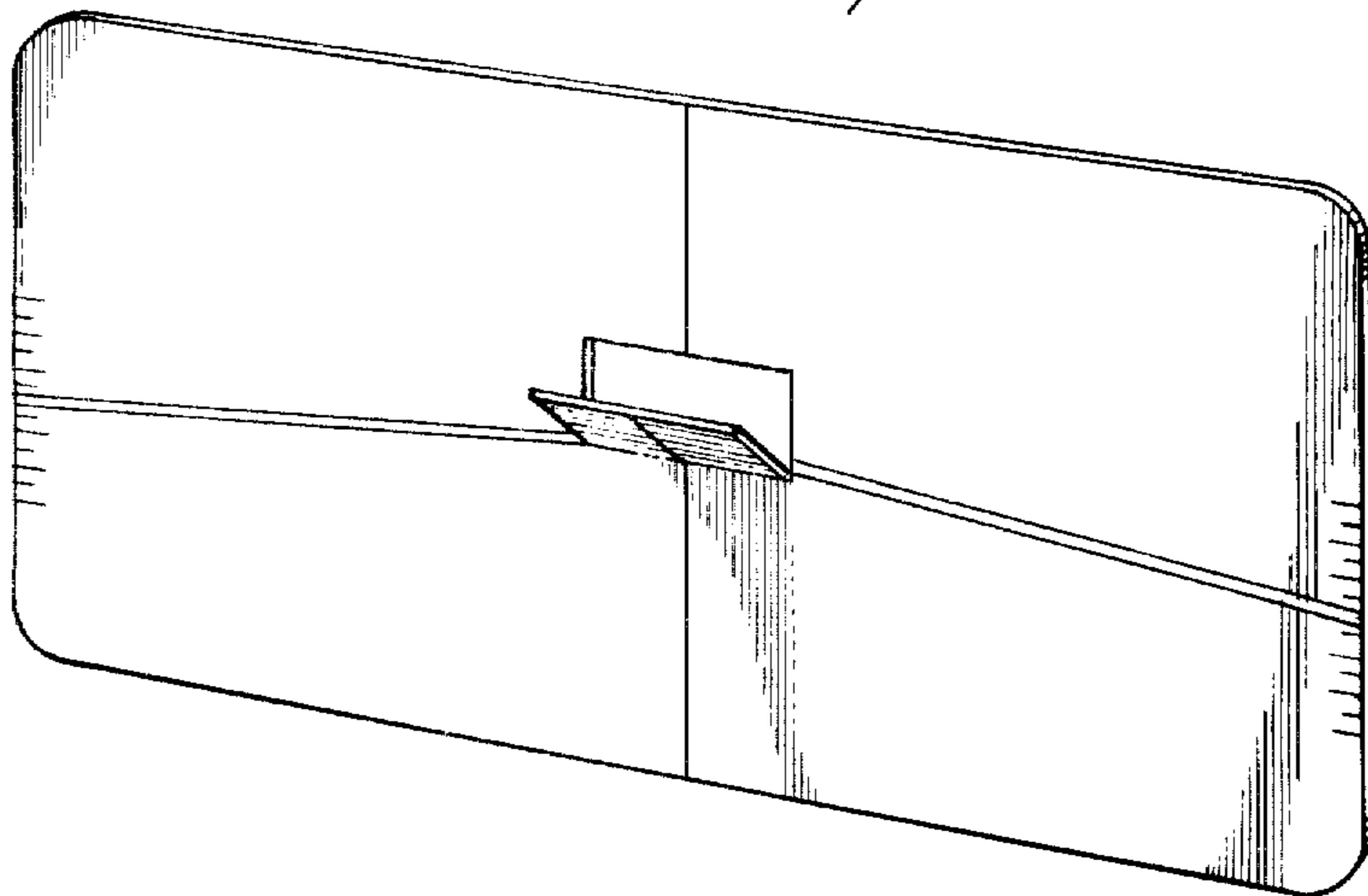


Fig. 2



Fig. 3



Fig. 4

