

[54] SHOPPING BAG

4,090,542 5/1978 Hacker, Jr. .... 150/1.7

[76] Inventor: Frank Dolinsky, 572 Grand St., New York, N.Y. 10002

Primary Examiner—Robert C. Spangler  
Attorney, Agent, or Firm—David Fink

[\*\*] Term: 14 Years

[57] CLAIM

[21] Appl. No.: 39,973

The ornamental design for a shopping bag, as shown and described herein.

[22] Filed: May 17, 1979

DESCRIPTION

[51] Int. Cl. .... D9—05

[52] U.S. Cl. .... D9/305

[58] Field of Search ..... 150/1.7; D9/249, 250, D9/305; 229/53

FIG. 1 is a front perspective view of a shopping bag showing my new design;

FIG. 2 is a rear perspective view;

FIG. 4 is an elevational view looking from the right of FIG. 3 the opposite side being the mirror image of the side shown;

FIG. 5 is a rear perspective with the bag in closed position and the carrying strap loosened for use;

FIG. 6 is a front elevational view thereof; and

FIG. 7 is a bottom view thereof.

The broken line showing of a cart in FIGS. 1 and 2 is for illustrative purpose only.

[56] References Cited

U.S. PATENT DOCUMENTS

D. 135,560	10/1943	Lebague	.....	D9/249
2,313,884	3/1943	Mattoon	.....	150/1.7
2,479,824	8/1949	Fass	.....	150/1.7
2,610,071	9/1952	Davis et al.	.....	150/1.7 X
3,568,918	3/1971	Blomquist	.....	150/1.7 X

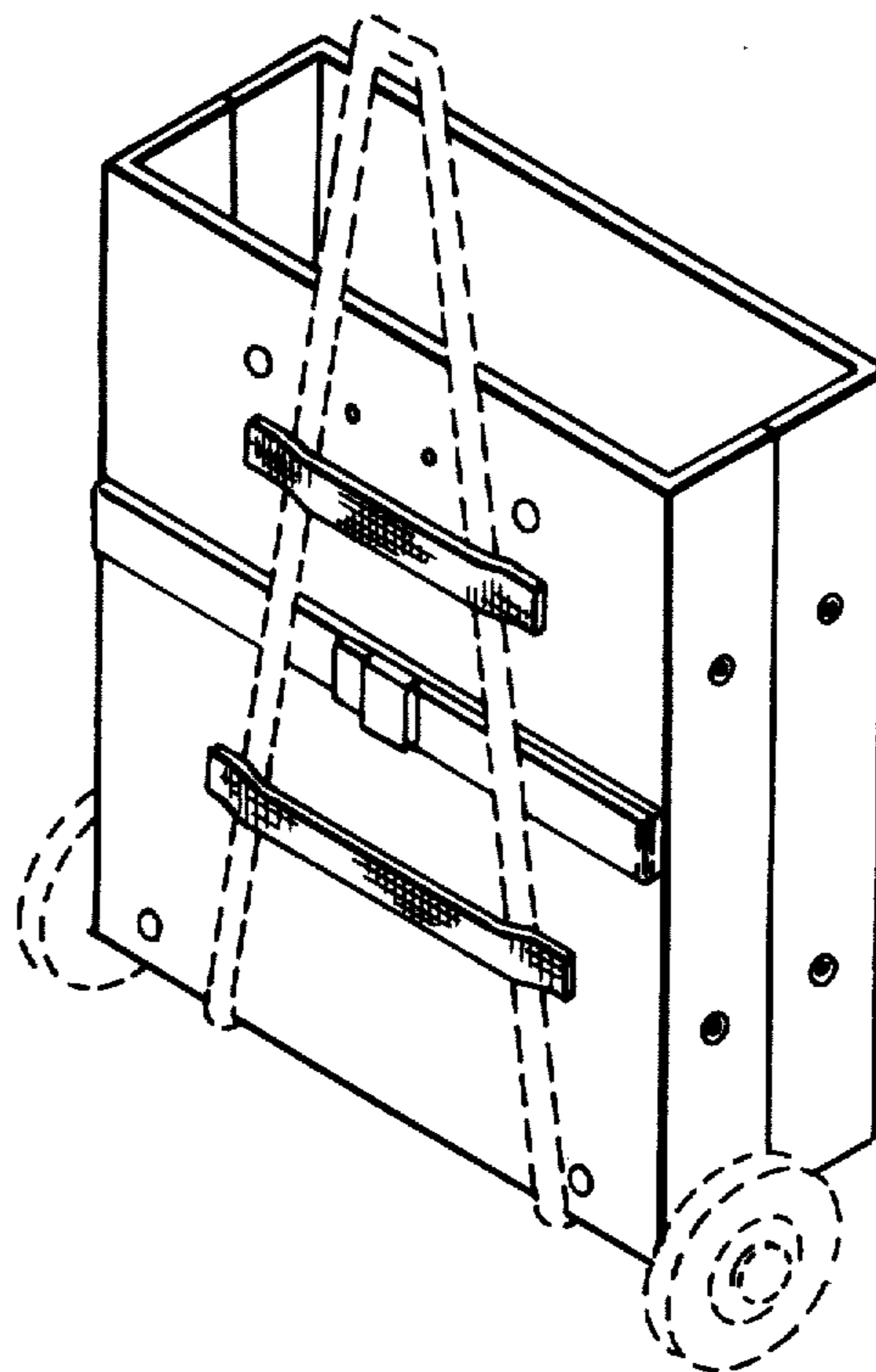


FIG. 1

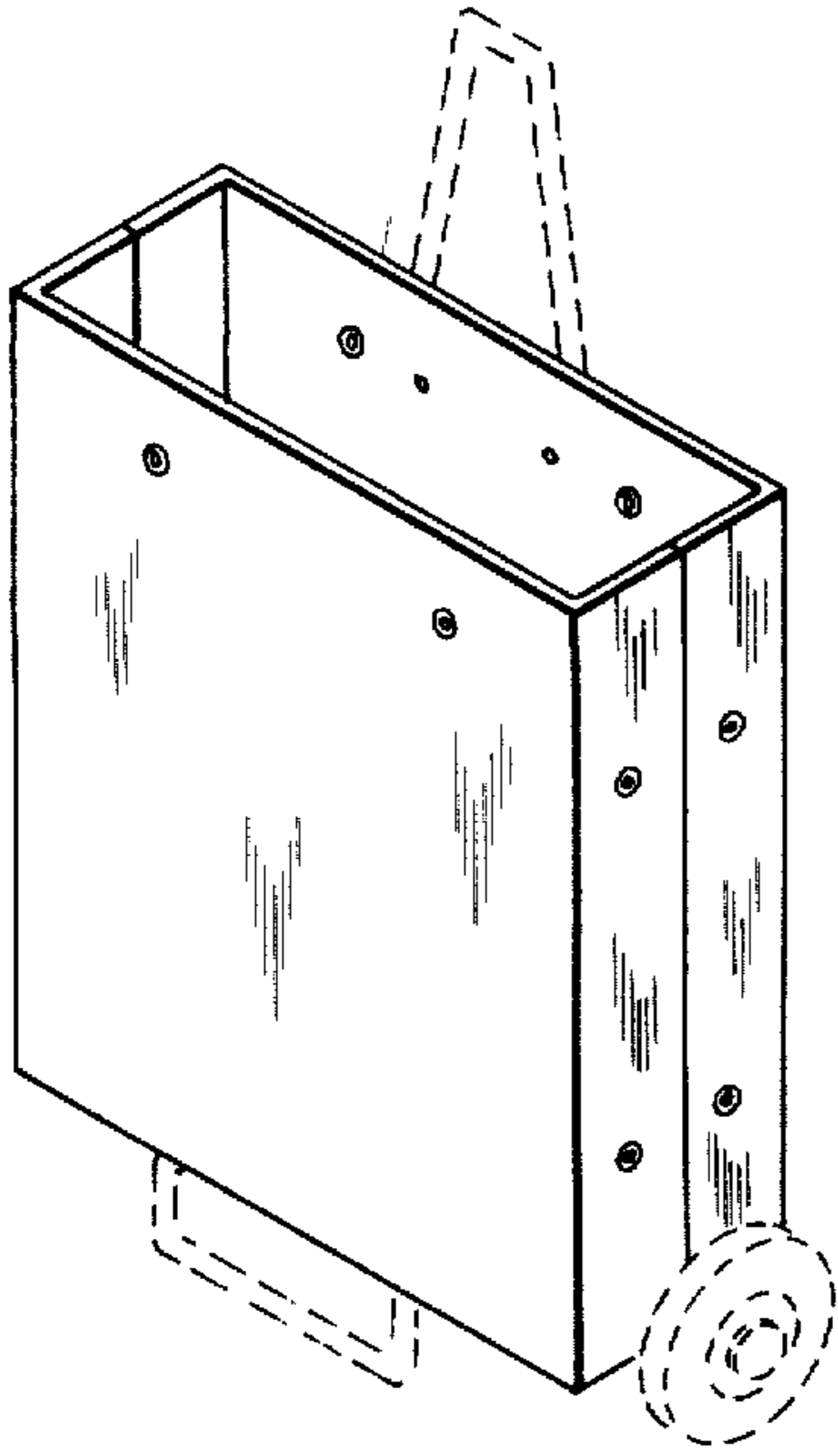


FIG. 2

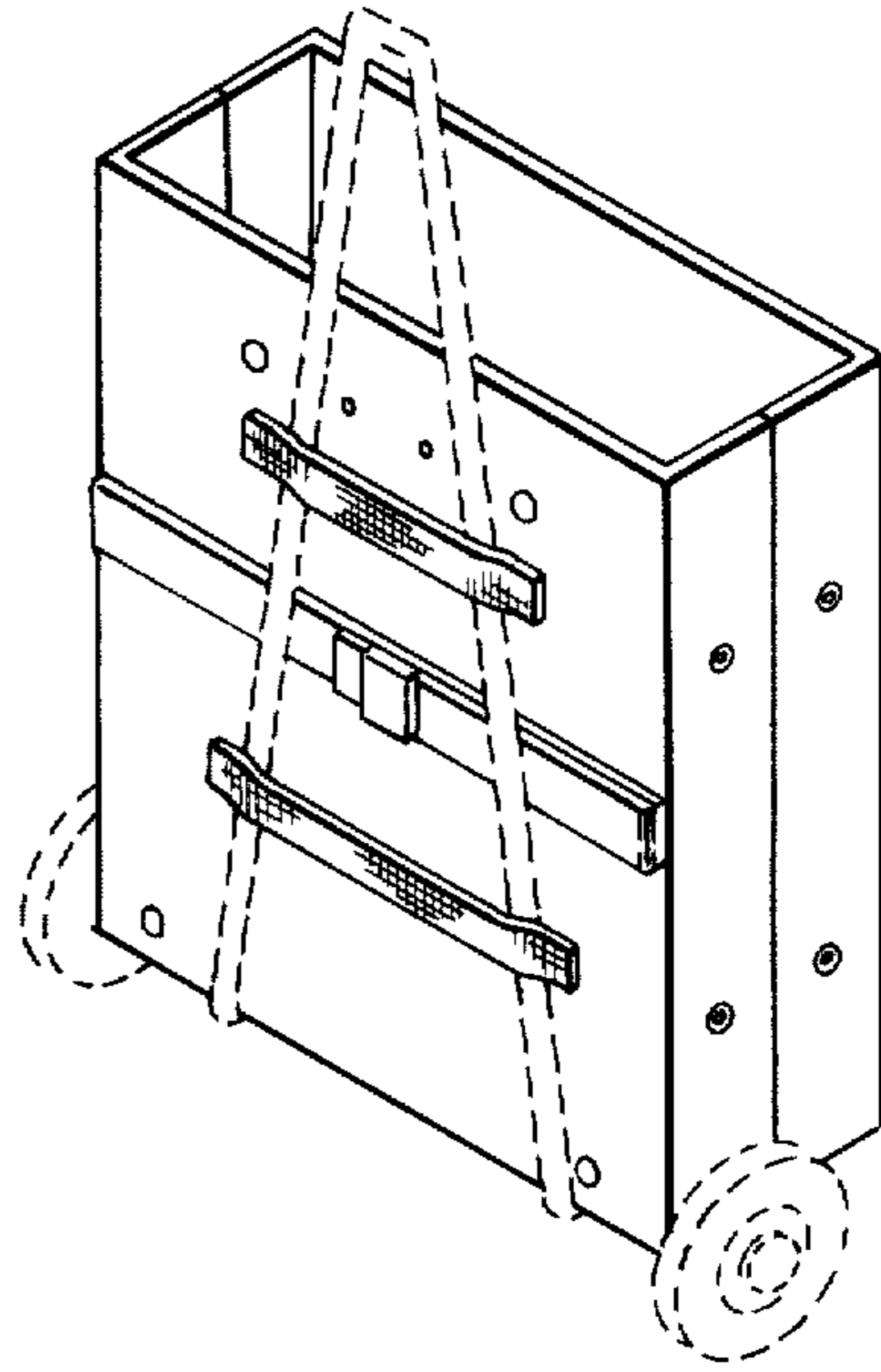


FIG. 3

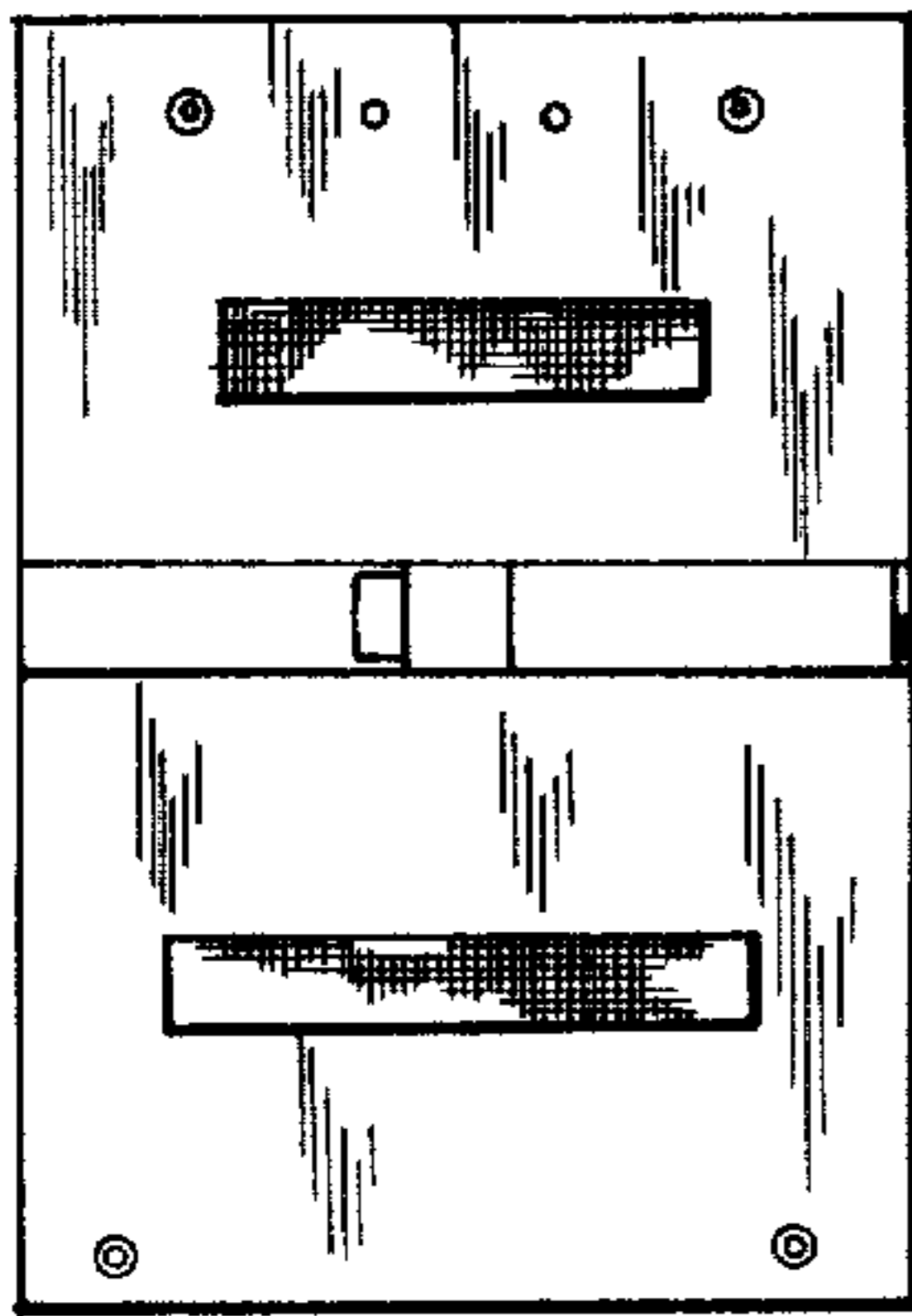


FIG. 4

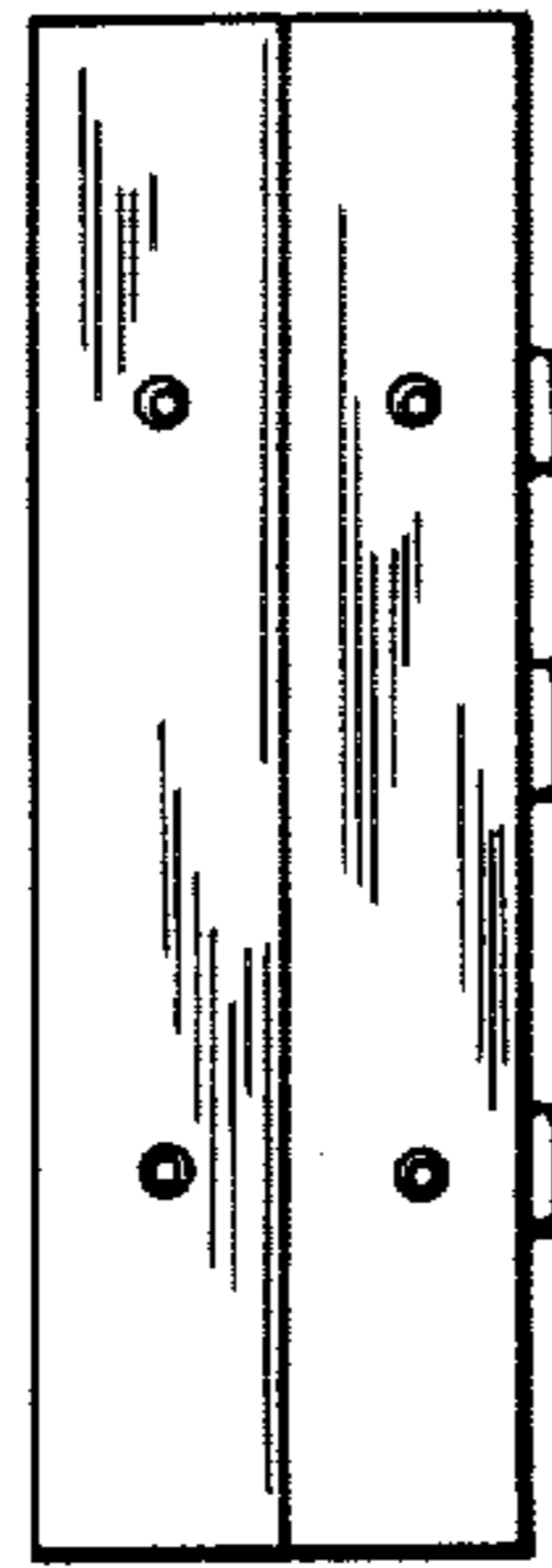


FIG. 5

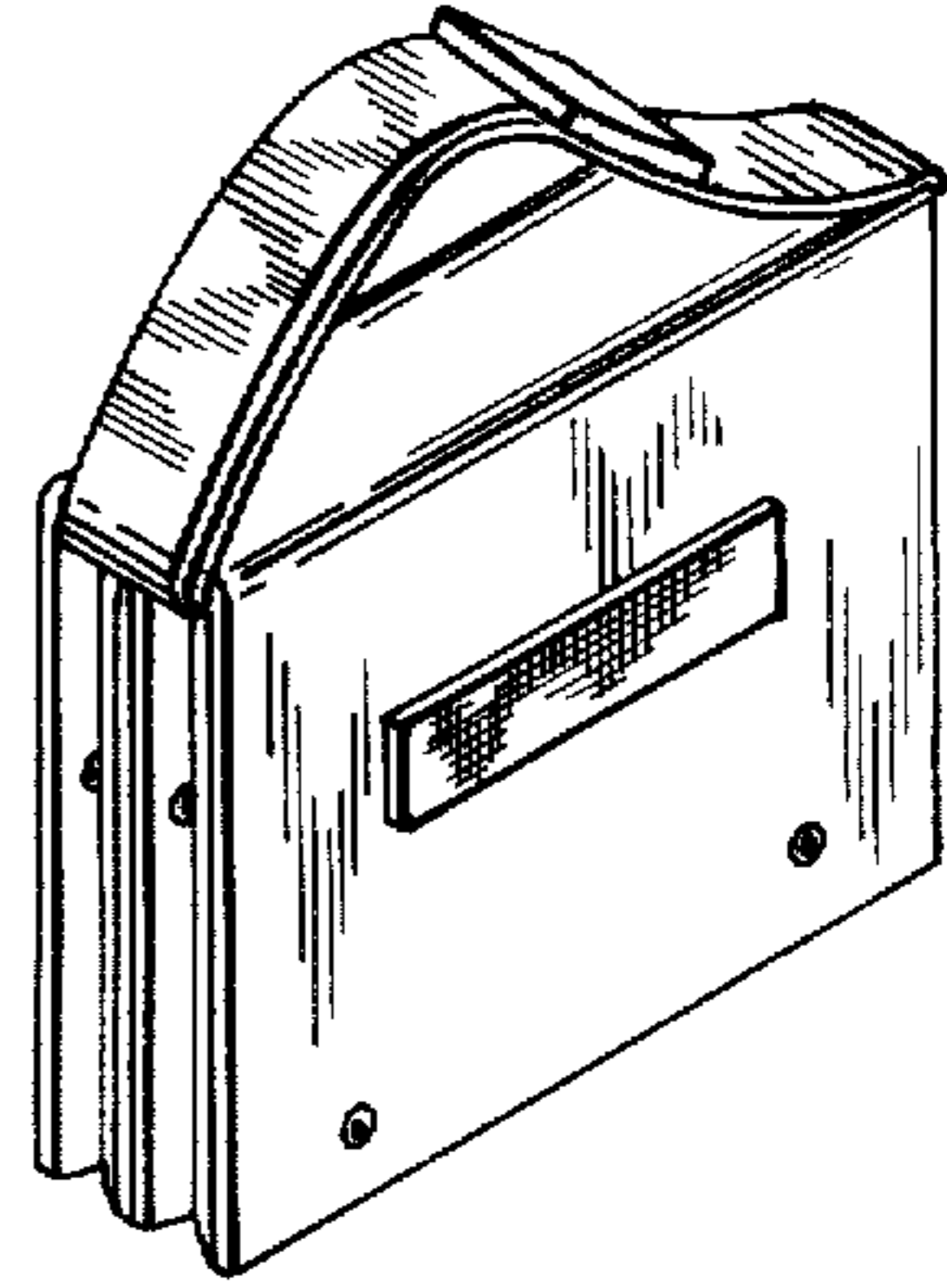


FIG. 6

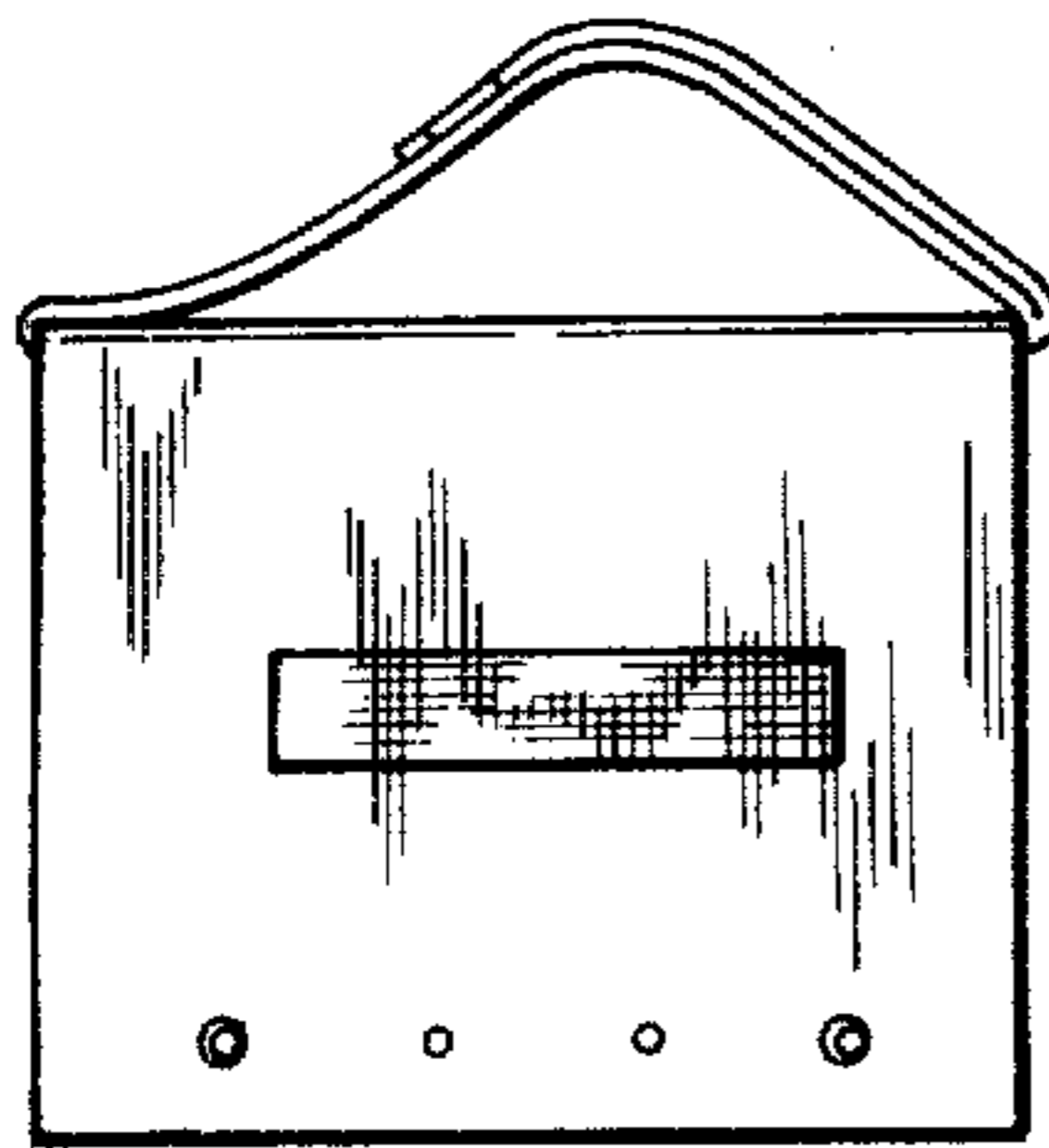


FIG. 7

