

[54] SUPPORT BRACKET FOR BIOMARINE BREATHING APPARATUS

[76] Inventor: Theodore Ziaylek, Jr., P.O. Box 292, Yardley, Pa. 19067

[**] Term: 14 Years

[21] Appl. No.: 166,430

[22] Filed: Jul. 7, 1980

[51] Int. Cl. D8-08

[52] U.S. Cl. D8/373; D3/32; D29/6; D21/238

[58] Field of Search D21/236, 238; D6/114, D6/136; D29/99, 6; D8/247, 373; D3/32; 248/311

[56] References Cited

U.S. PATENT DOCUMENTS

- D. 235,619 7/1975 Ziaylek, Jr. D8/373
- D. 236,388 8/1975 Walters D29/6 X
- D. 237,357 10/1975 Ziaylek, Jr. D8/373
- D. 244,315 5/1977 Havstad D21/236 X

D. 258,843 4/1981 Riccio D3/32

OTHER PUBLICATIONS

Bio Pak 60p, Advertisement, Oct. 1979, Rebreathing Apparatus.

Primary Examiner—Bernard Ansher
Attorney, Agent, or Firm—Frederick A. Zoda; John J. Kane; Albert Sperry

[57] CLAIM

The ornamental design for a support bracket for biomarine breathing apparatus, as shown and described.

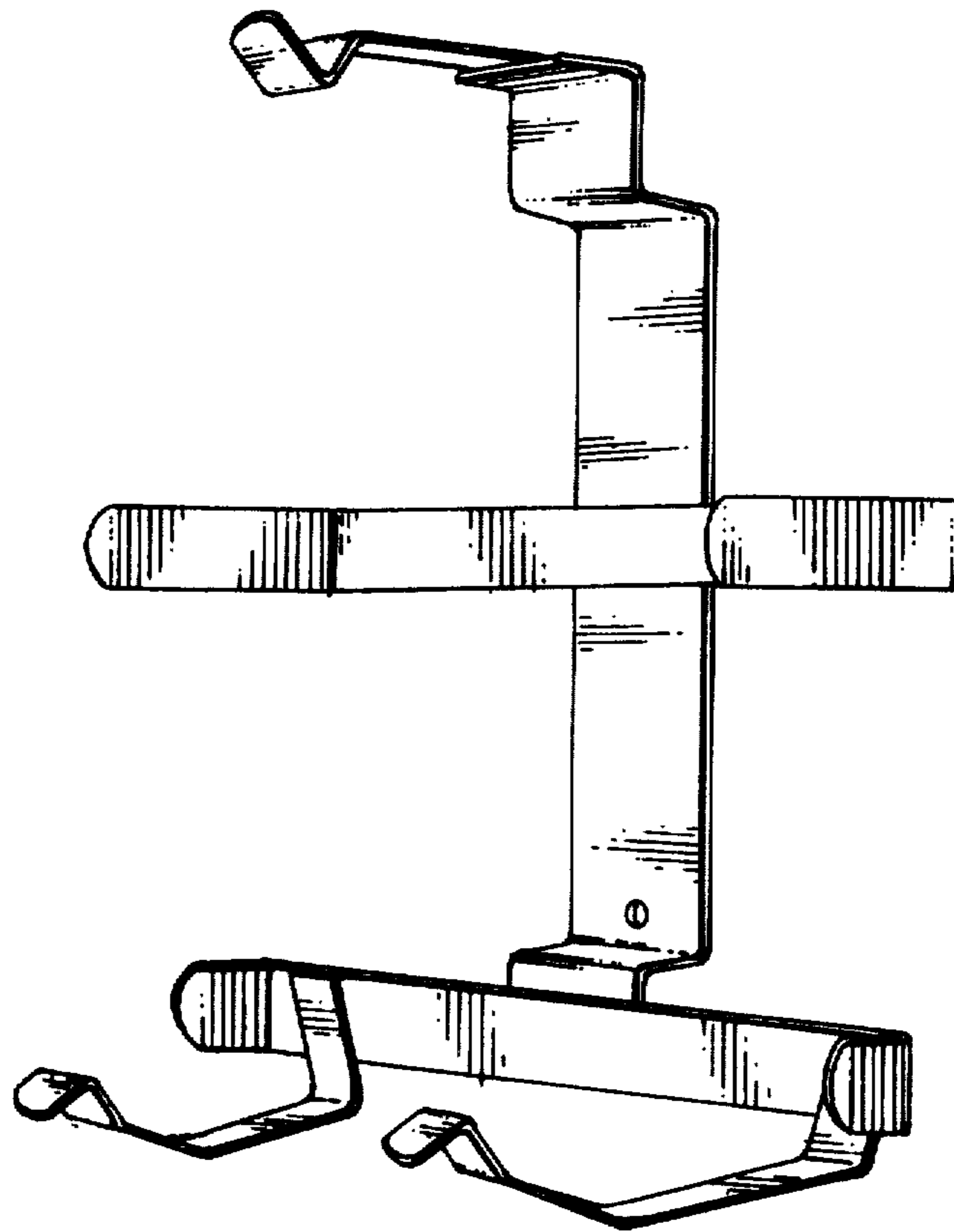
DESCRIPTION

FIG. 1 is a front perspective view of a support bracket for biomarine breathing apparatus embodying the new design;

FIG. 2 is a front elevation of the bracket as shown in FIG. 1;

FIG. 3 is a side elevation of the bracket as shown in FIG. 1; and

FIG. 4 is a top plan view of the bracket as shown in FIG. 1.



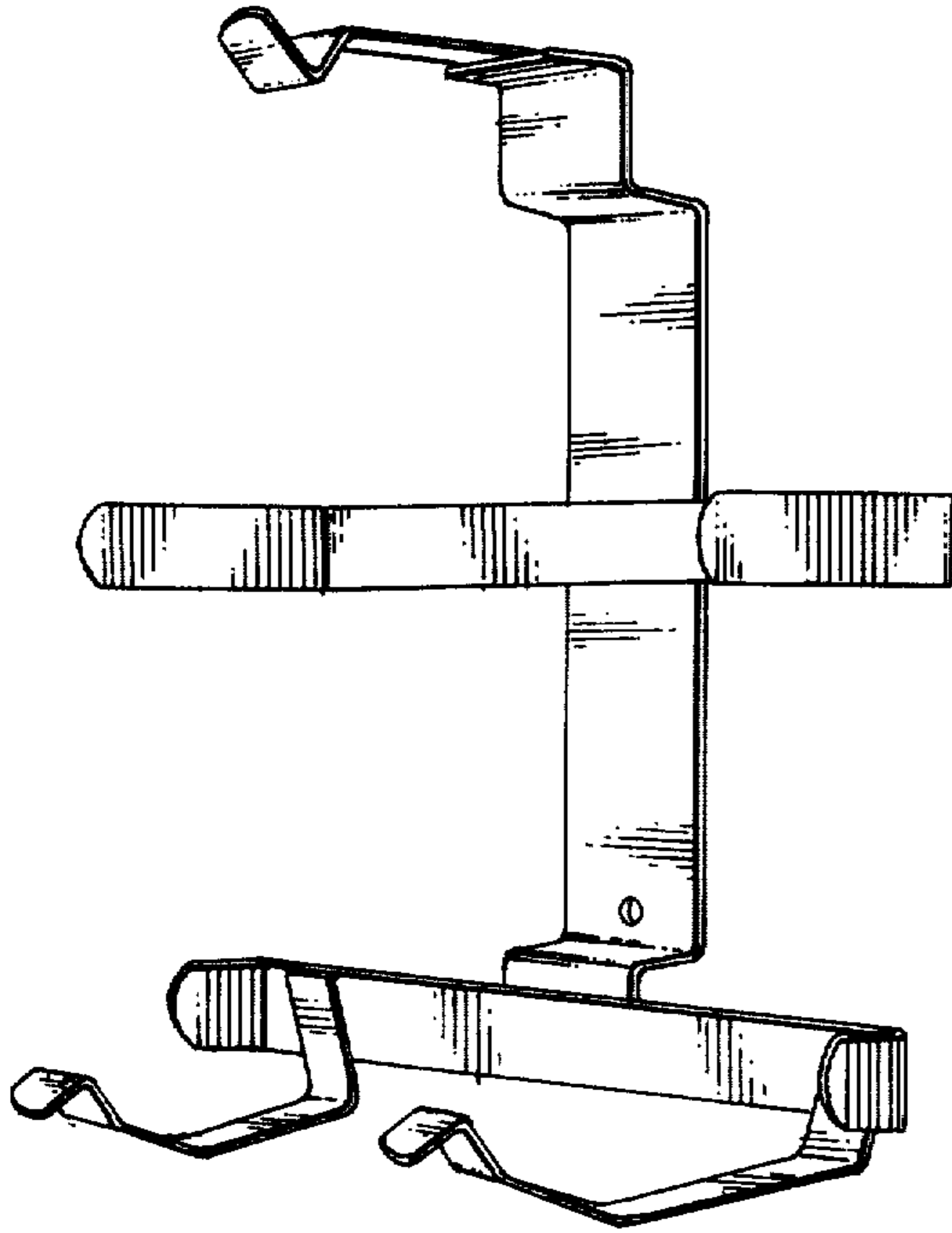


Fig. 1.

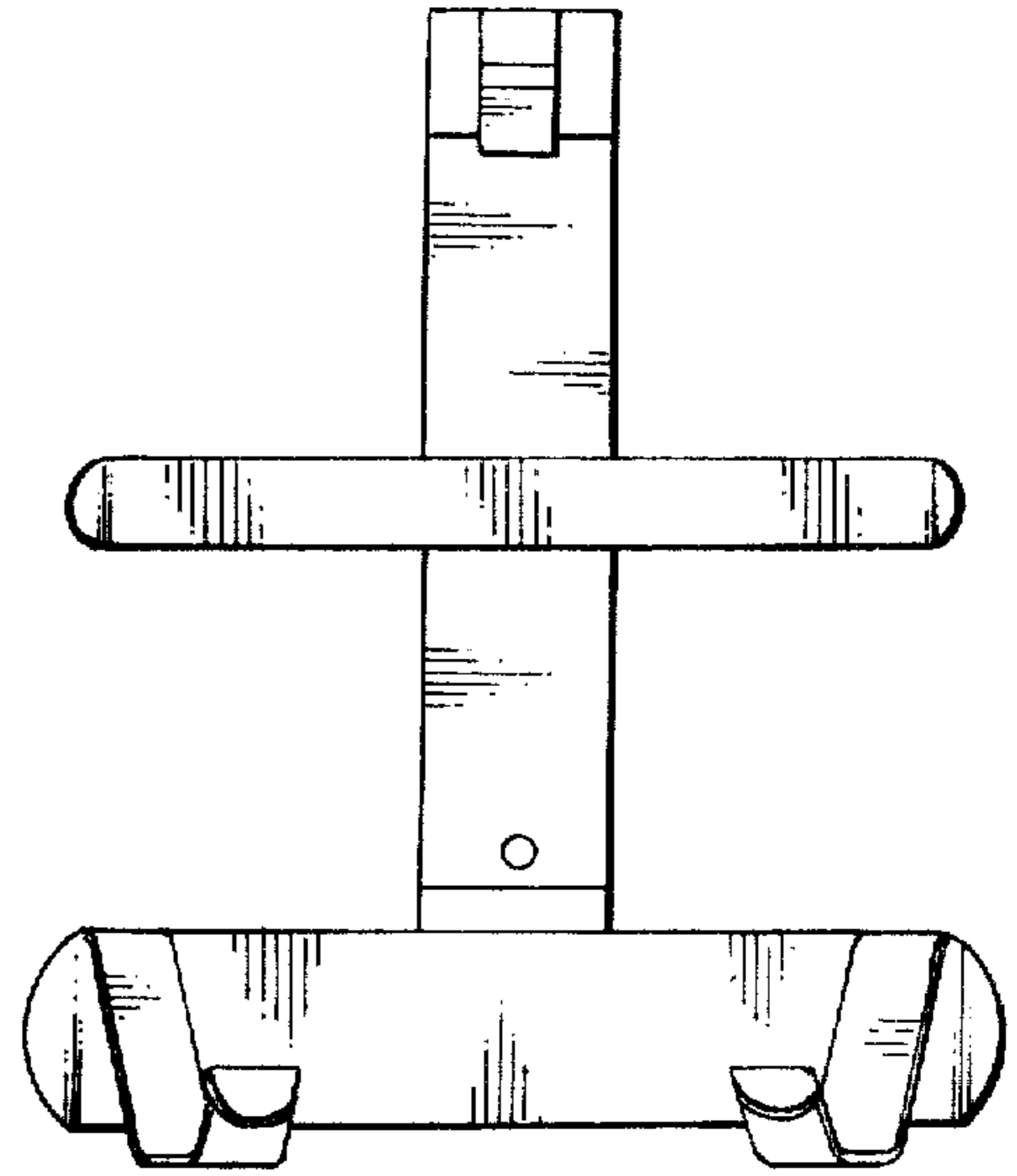


Fig. 2.

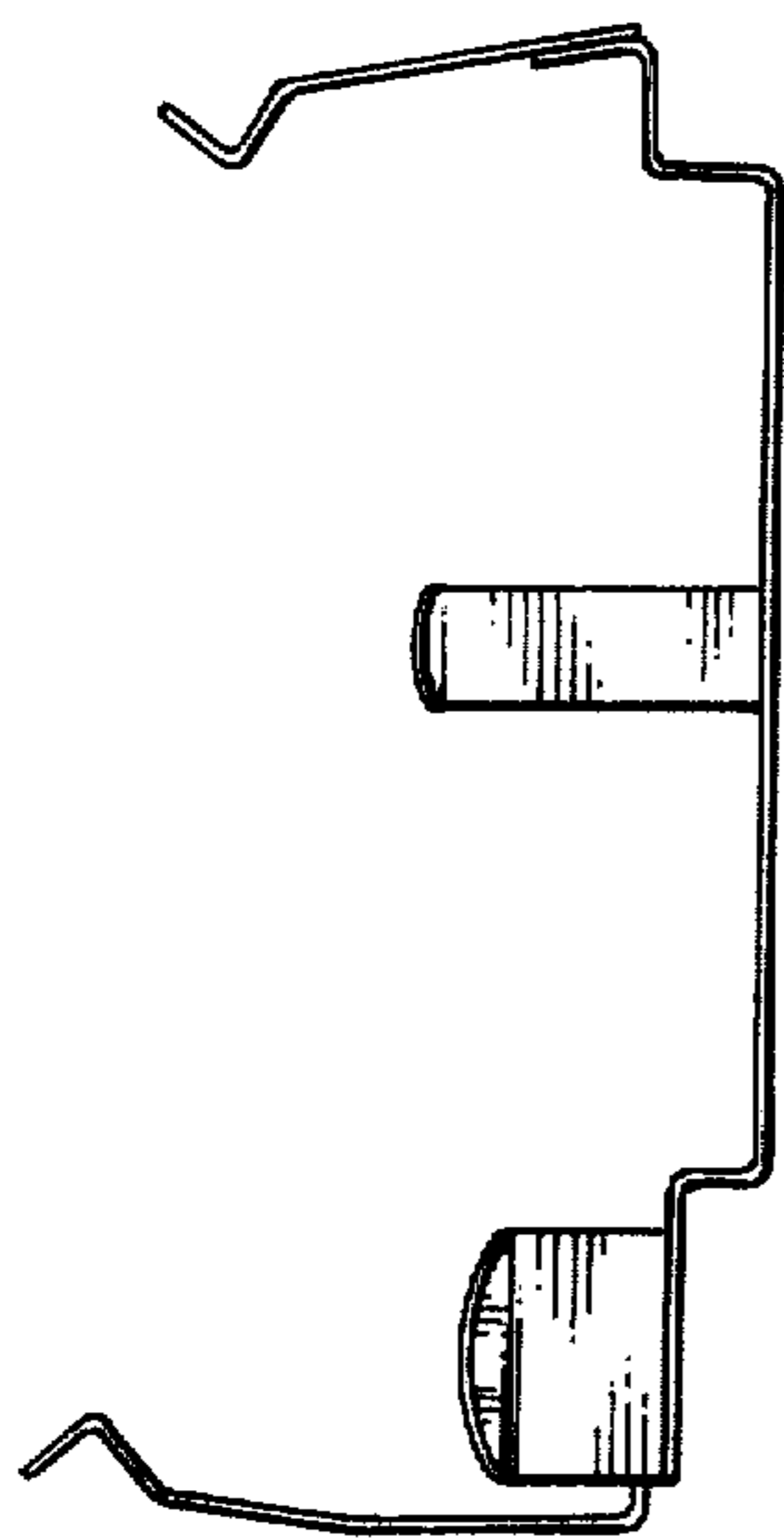


Fig. 3.

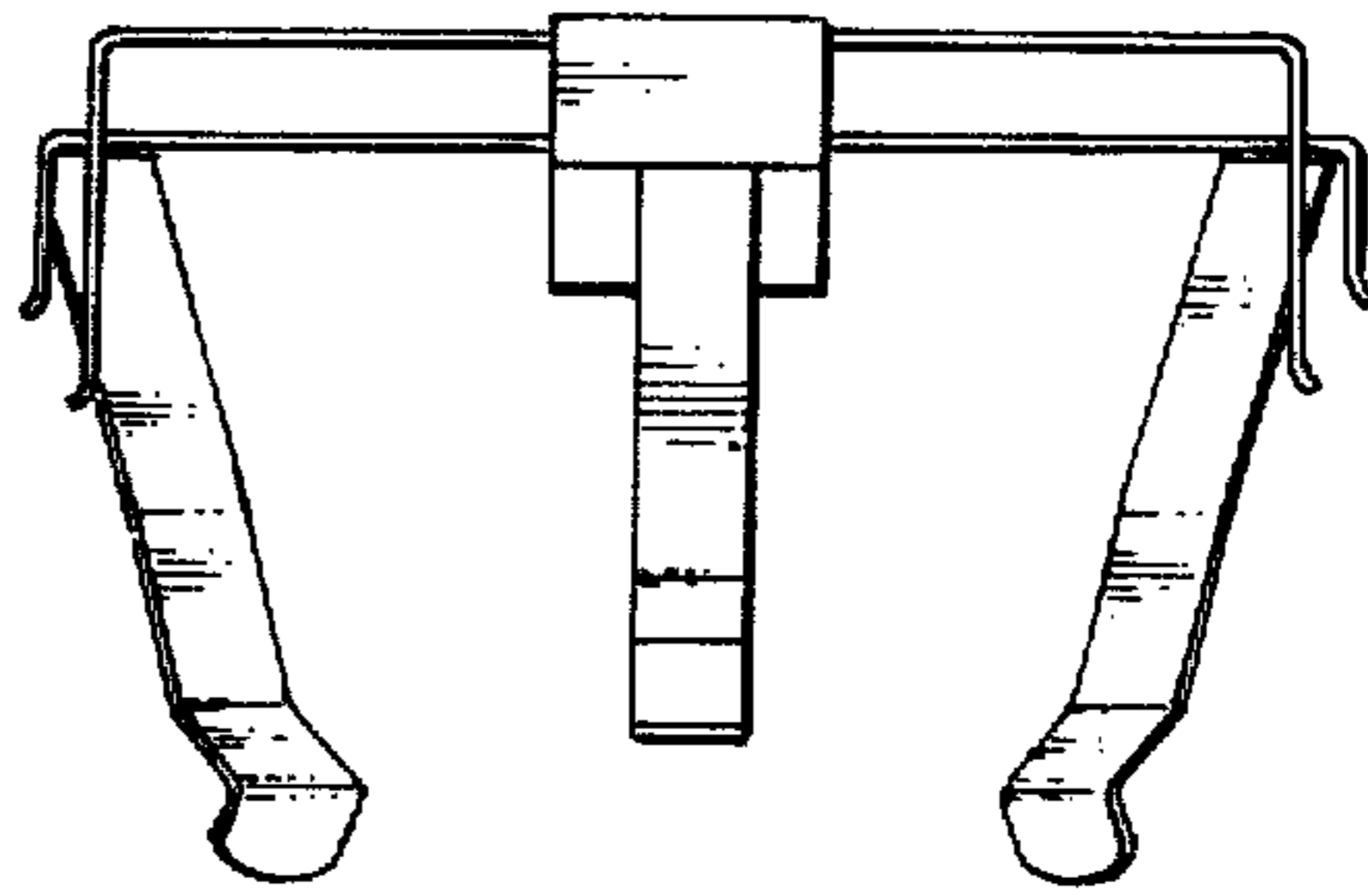


Fig. 4.