

[54] LEG FOR RECREATIONAL VEHICLE AND MOBILE HOME HOSE SUPPORT

[76] Inventor: Robley H. Baldwin, P.O. Box 13286, South Lake Tahoe, Calif. 95702

[\*\*] Term: 14 Years

[21] Appl. No.: 62,009

[22] Filed: Jul. 30, 1979

[51] Int. Cl. .... D8-08

[52] U.S. Cl. .... D8/356

[58] Field of Search ..... D23/43; D8/349, 356, D8/354, 396, 373; 248/83, 85, 87, 80, 76, 49

[56]

References Cited

U.S. PATENT DOCUMENTS

1,007,657	10/1911	Freund	248/83
2,736,525	2/1956	Jones	248/83
3,554,474	1/1971	Davies	248/83
4,169,571	10/1979	Duegan	248/83
4,194,711	3/1980	Winton	248/83

Primary Examiner—James M. Gandy

[57]

CLAIM

The ornamental design for a leg for recreational vehicle and mobile home hose support, as shown and described.

DESCRIPTION

FIG. 1 is a side elevational view of a leg for recreational vehicle and mobile home hose support showing my new design, and, FIG. 2 is a front elevational view thereof.

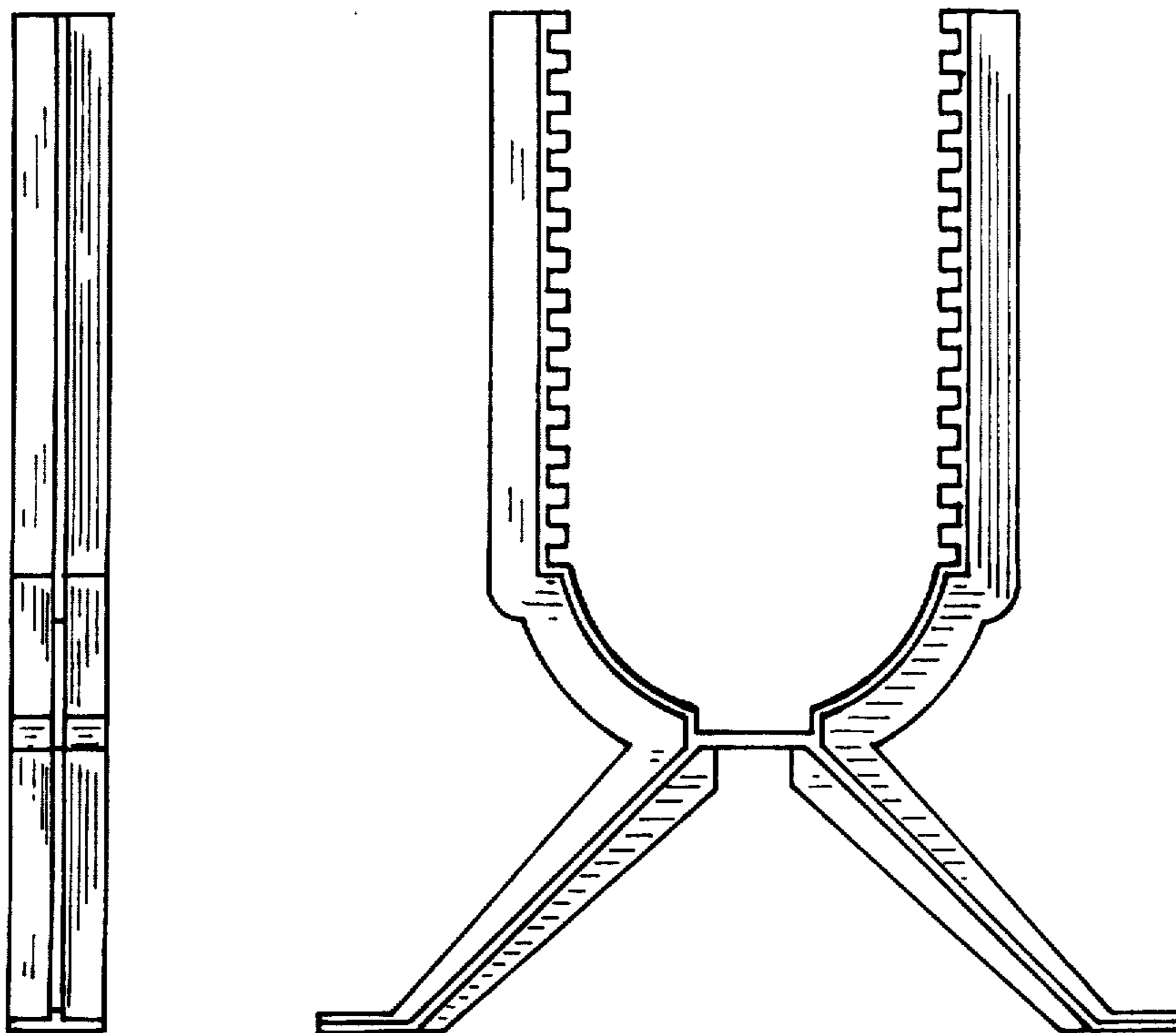




FIG. 1

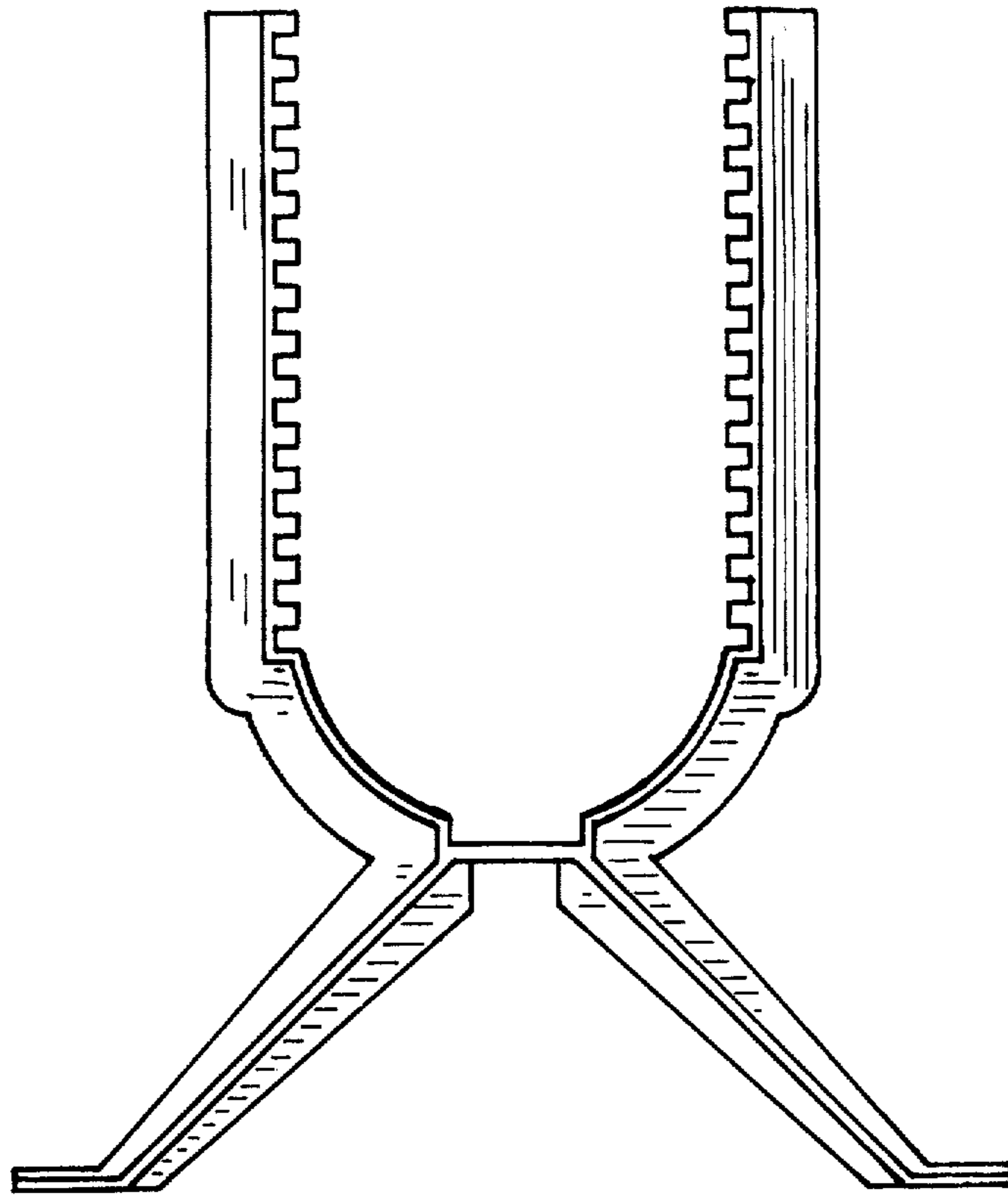


FIG. 2