

[54] **RETAINER FOR LATCHING PIN**

[75] Inventors: **Robert F. Woods**, Woodbridge;
Ronald F. Bergstrom, Lodi, both of Calif.

[73] Assignee: **Agri-Fab Industries, Inc.**, Lodi, Calif.

[**] Term: **14 Years**

[21] Appl. No.: **158,114**

[22] Filed: **Jun. 10, 1980**

[51] Int. Cl. **D8-07**

[52] U.S. Cl. **D8/344; D8/331; D25/38**

[58] **Field of Search** 16/86.1, 166; 292/218, 292/241, DIG. 32, 41, 42, 57, 148; 256/26, 65; D8/323, 331, 344, 343; D25/38, 39

[56] **References Cited**

U.S. PATENT DOCUMENTS

2,358,914 9/1944 Dray 292/148

2,432,724 12/1947 Cohen et al. 248/251 X

3,278,981 10/1966 Glenn et al. D8/323 X

4,174,096 11/1979 Campbell 256/26 X

FOREIGN PATENT DOCUMENTS

942108 2/1974 Canada 256/26

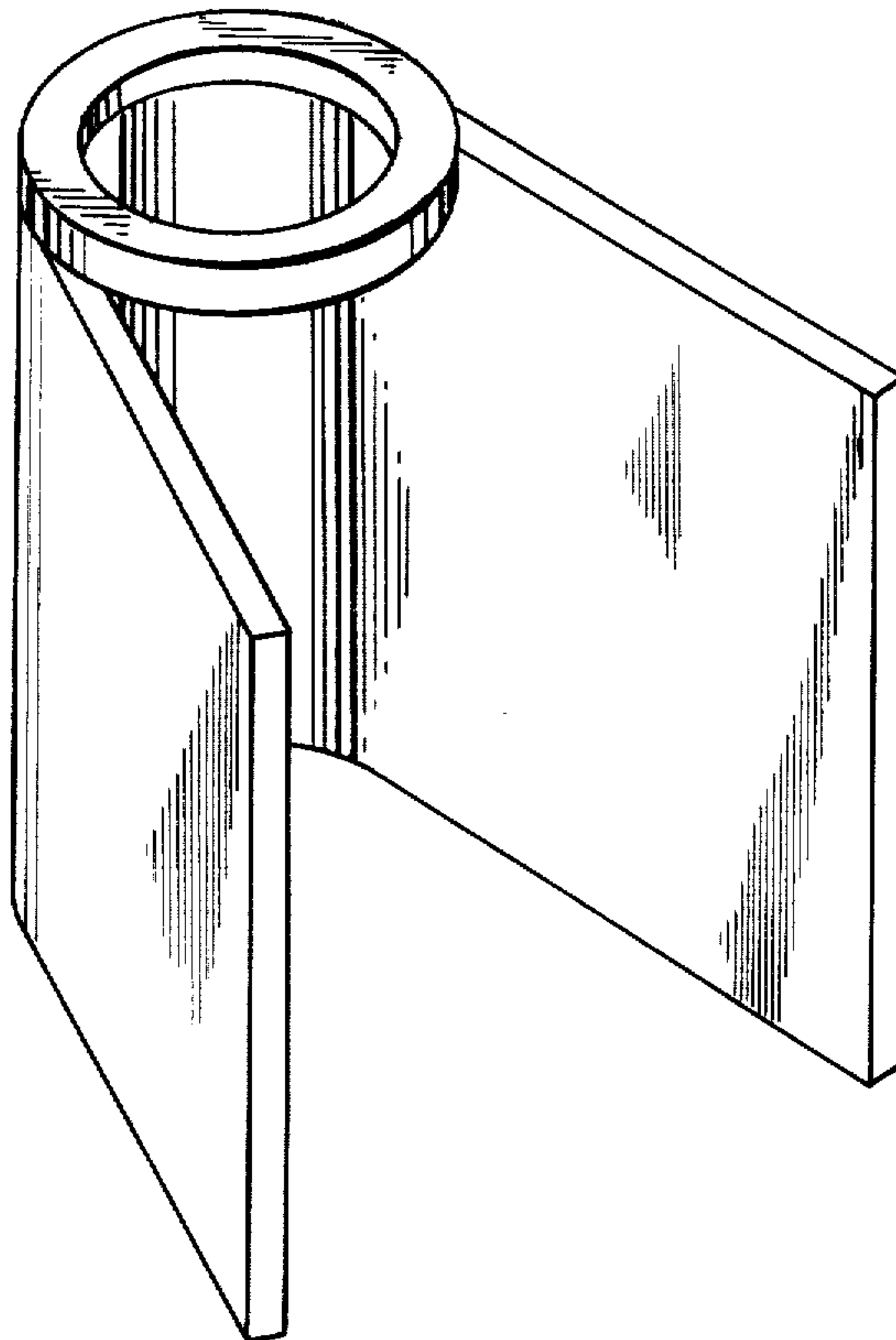
Primary Examiner—A. Hugo Word
Attorney, Agent, or Firm—Freilich, Hornbaker,
Wasserman, Rosen & Fernandez

[57] **CLAIM**

The design for a retainer for latching pin, substantially as shown.

DESCRIPTION

FIG. 1 is a perspective view of a retainer for latching pin showing my new design;
FIG. 2 is a plan view thereof;
FIG. 3 is a bottom view thereof;
FIG. 4 is a right side elevation view thereof, the left side elevation view being a mirror image thereof;
FIG. 5 is a rear elevation view thereof; and
FIG. 6 is a front elevation view thereof.



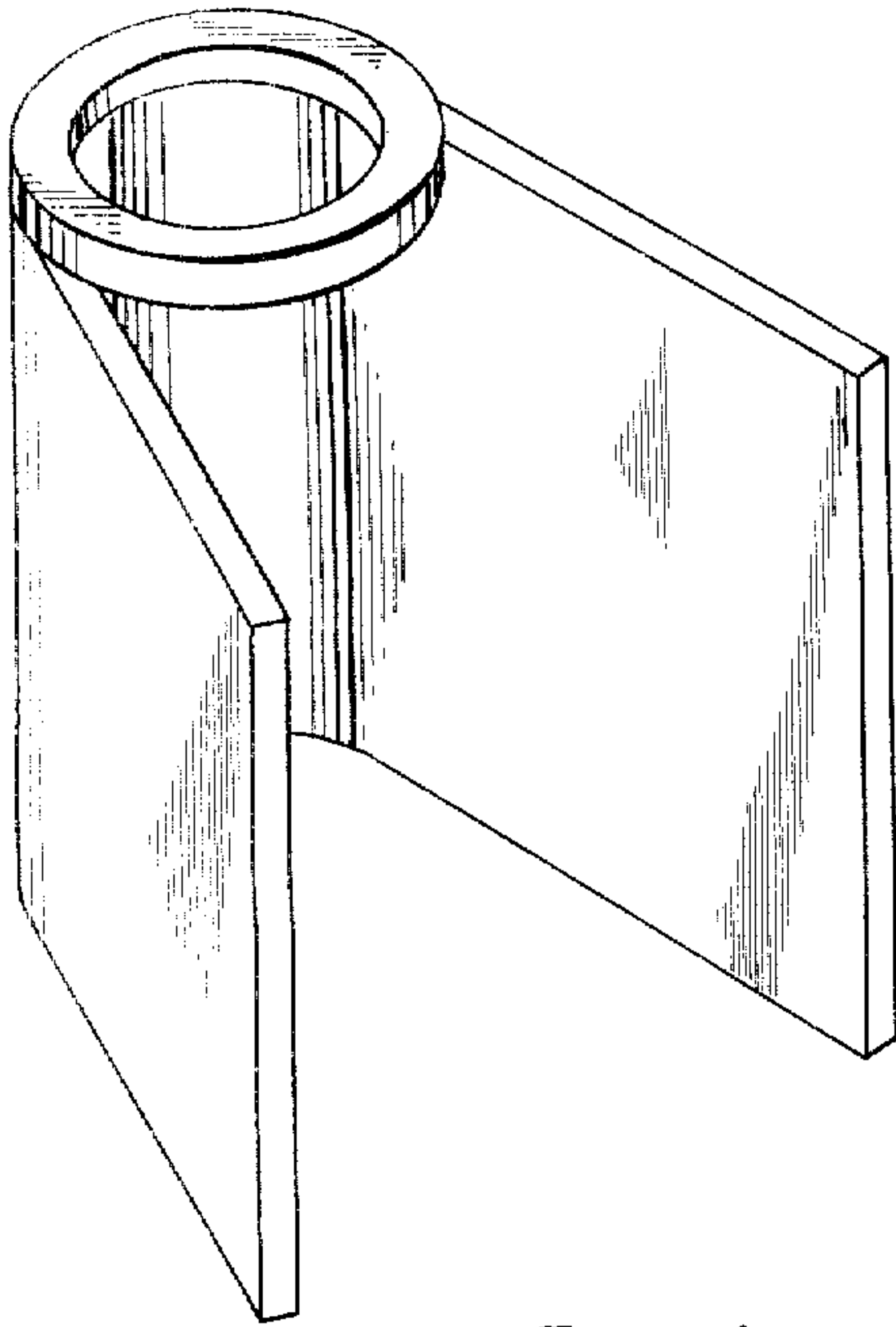


FIG. 1

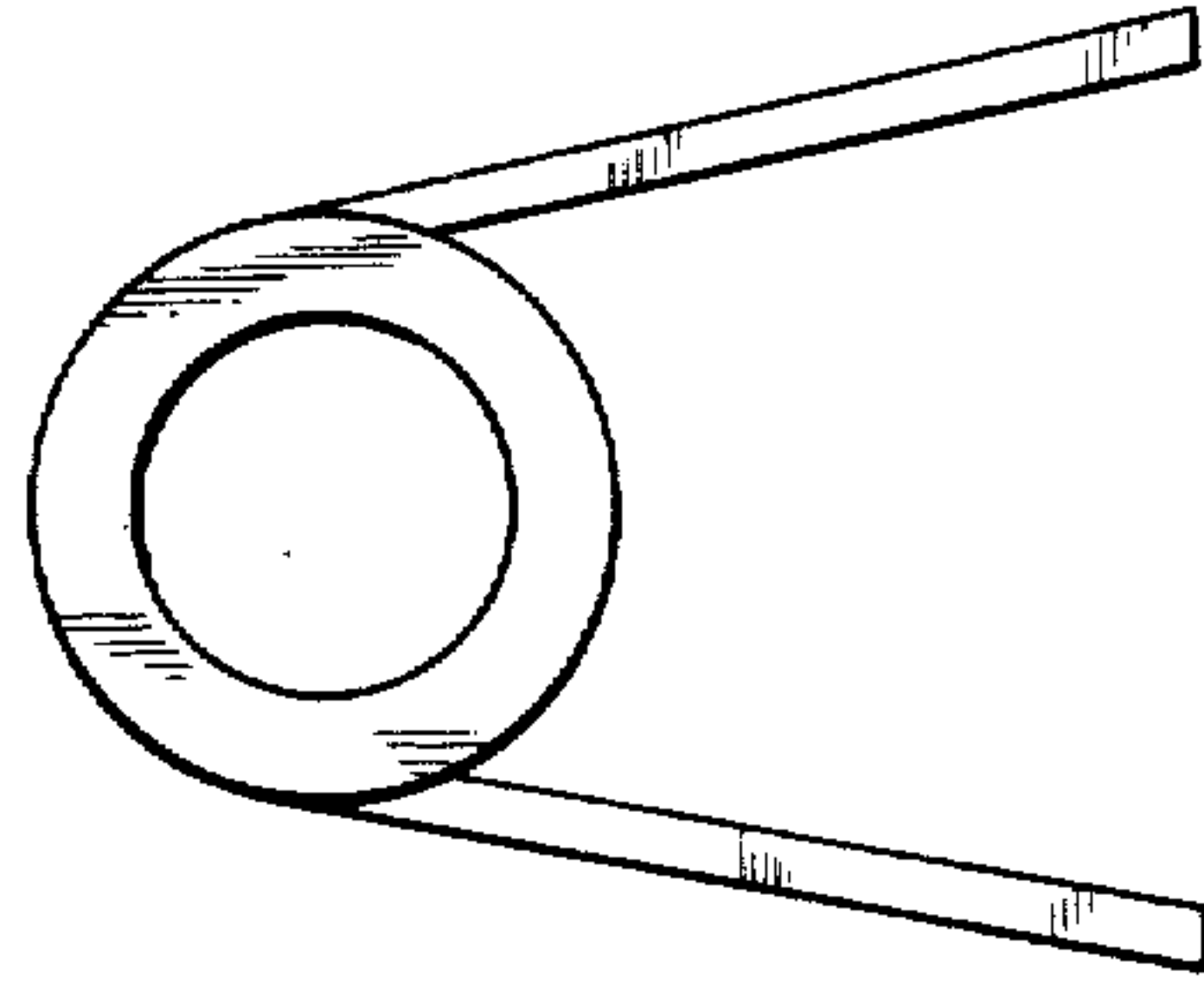


FIG. 2

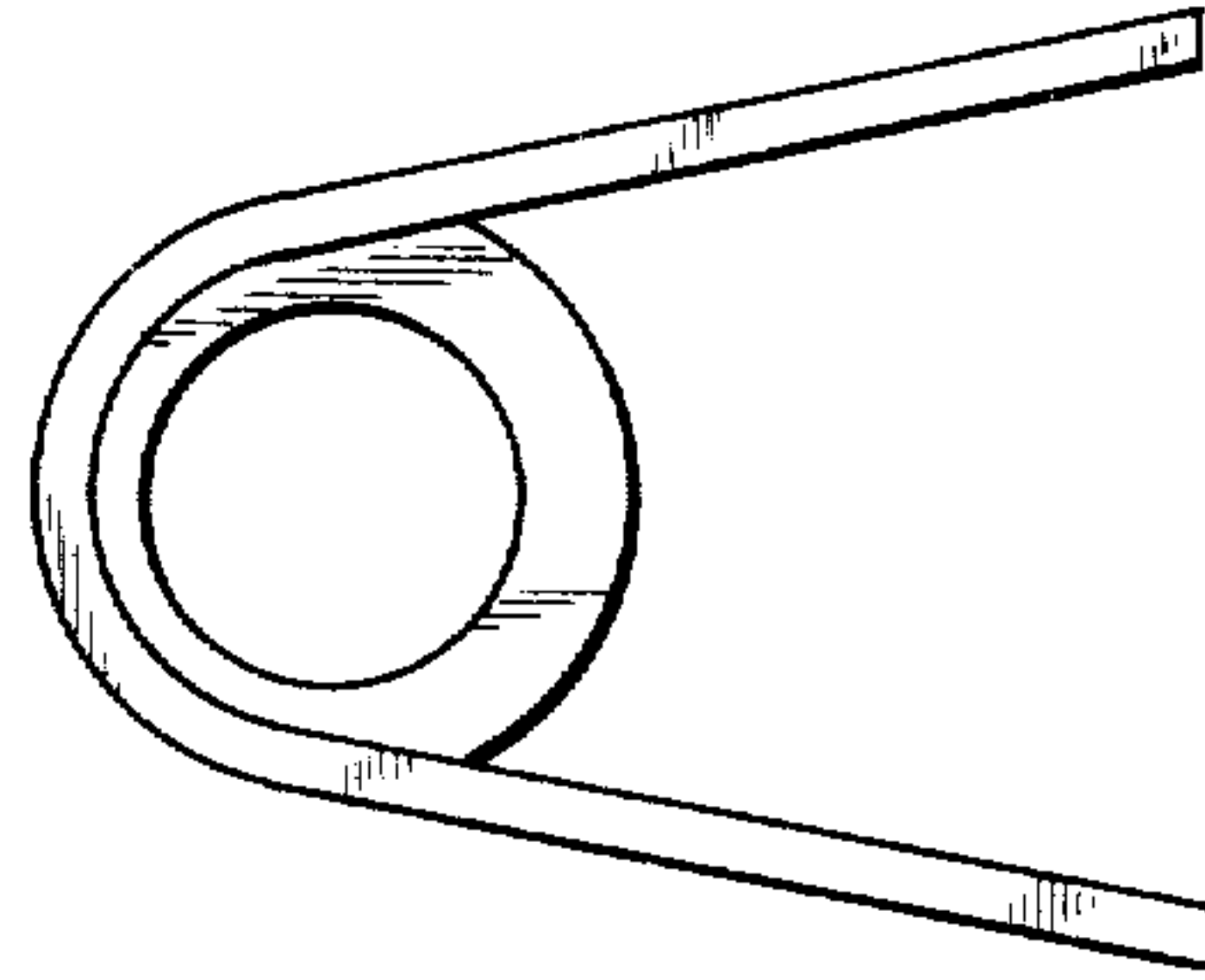


FIG. 3

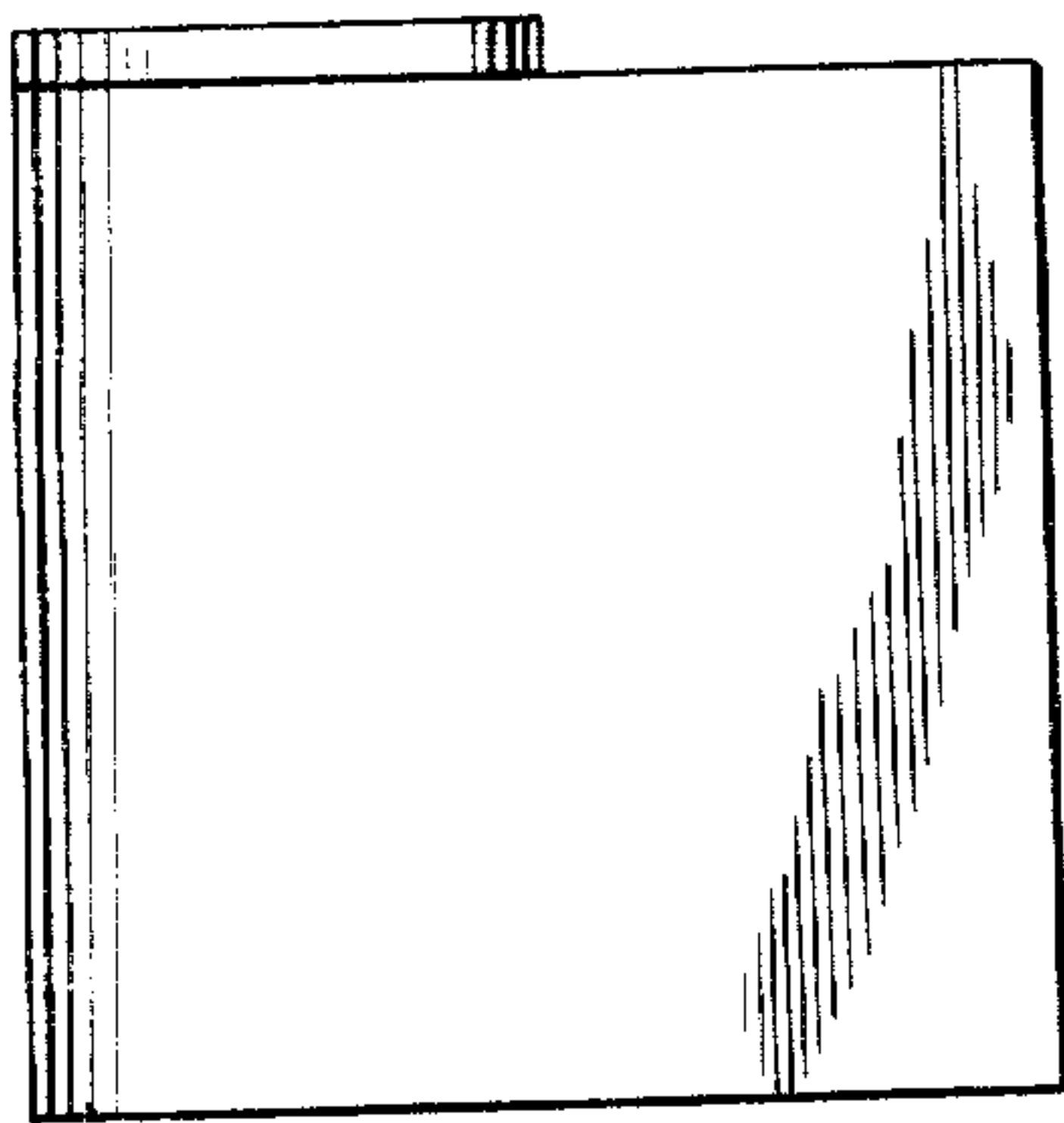


FIG. 4

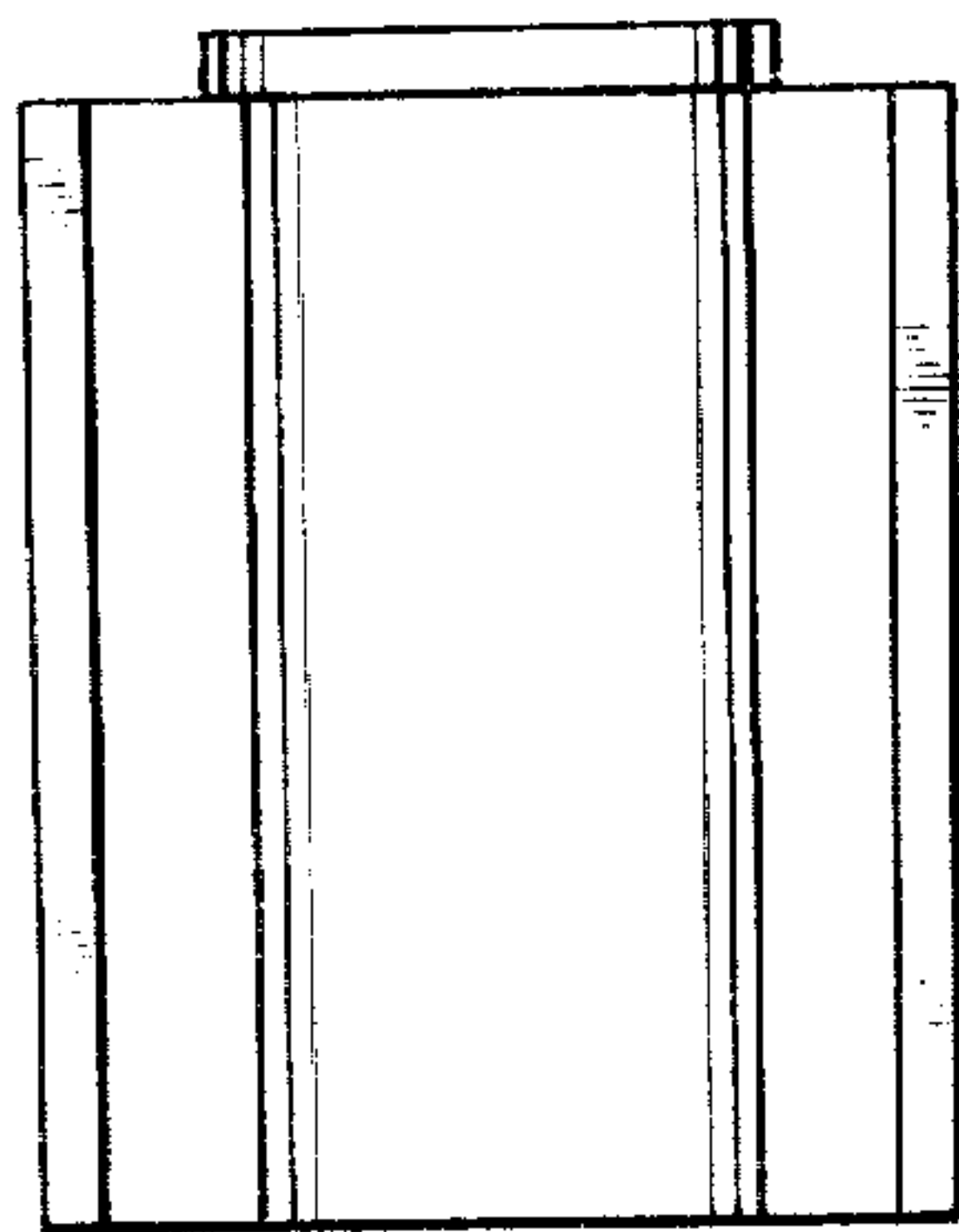


FIG. 5

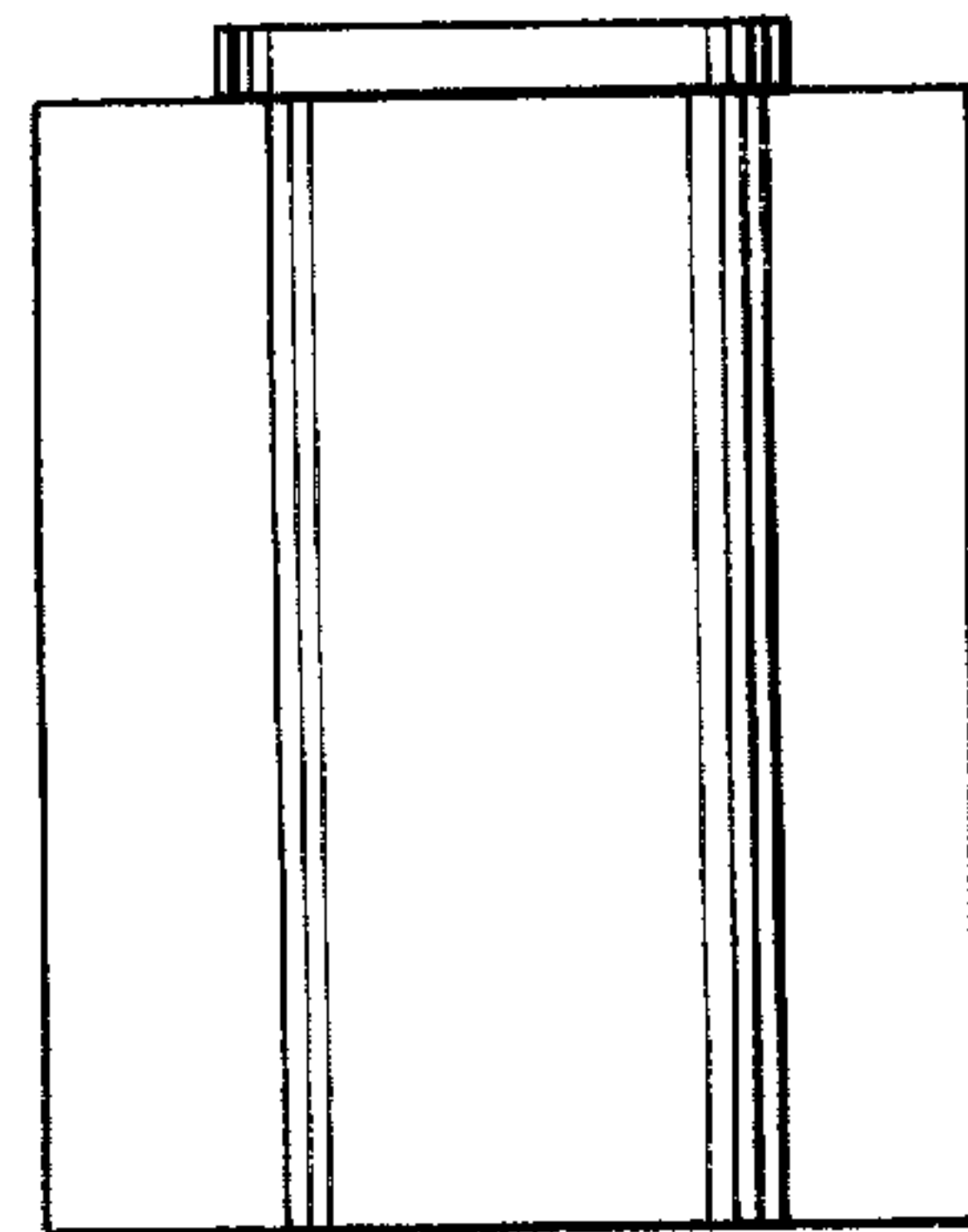


FIG. 6