

[54] CANISTER RIM OR THE LIKE
 [75] Inventor: Rino Conti, Stoughton, Mass.
 [73] Assignee: Dart Industries Inc., Northbrook, Ill.
 [**] Term: 14 Years
 [21] Appl. No.: 176,159
 [22] Filed: Aug. 7, 1980
 [51] Int. Cl. D07-07
 [52] U.S. Cl. D7/129; D7/79;
 D9/434
 [58] Field of Search D7/16, 17, 18, 79, 81,
 D7/77, 78, 52, 129, 40, 131, 76, 54, 55, 57;
 D9/349, 367, 390, 352, 354, 355, 385, 399, 434;
 215/1 C

2,849,144 8/1958 Southwell 215/1 C X

OTHER PUBLICATIONS

Glassware-Catalog H-Anchor Hocking Glass Corp., Oct. 9, 1942, p. 13, top r., "Provision Jar", #349.
Colonial Garden Kitchens, 1974 Cat., p. 7, Herb Jars, bottom r., #3975 Wide Mouth-Cork Tops.
Maxwell House Instant Coffee-The "Americana" Storage Jar, Cover on Jars.

Primary Examiner—Winifred E. Herrmann
Attorney, Agent, or Firm—John A. Doninger

[57] CLAIM

The ornamental design for a canister rim or the like, substantially as shown and desired.

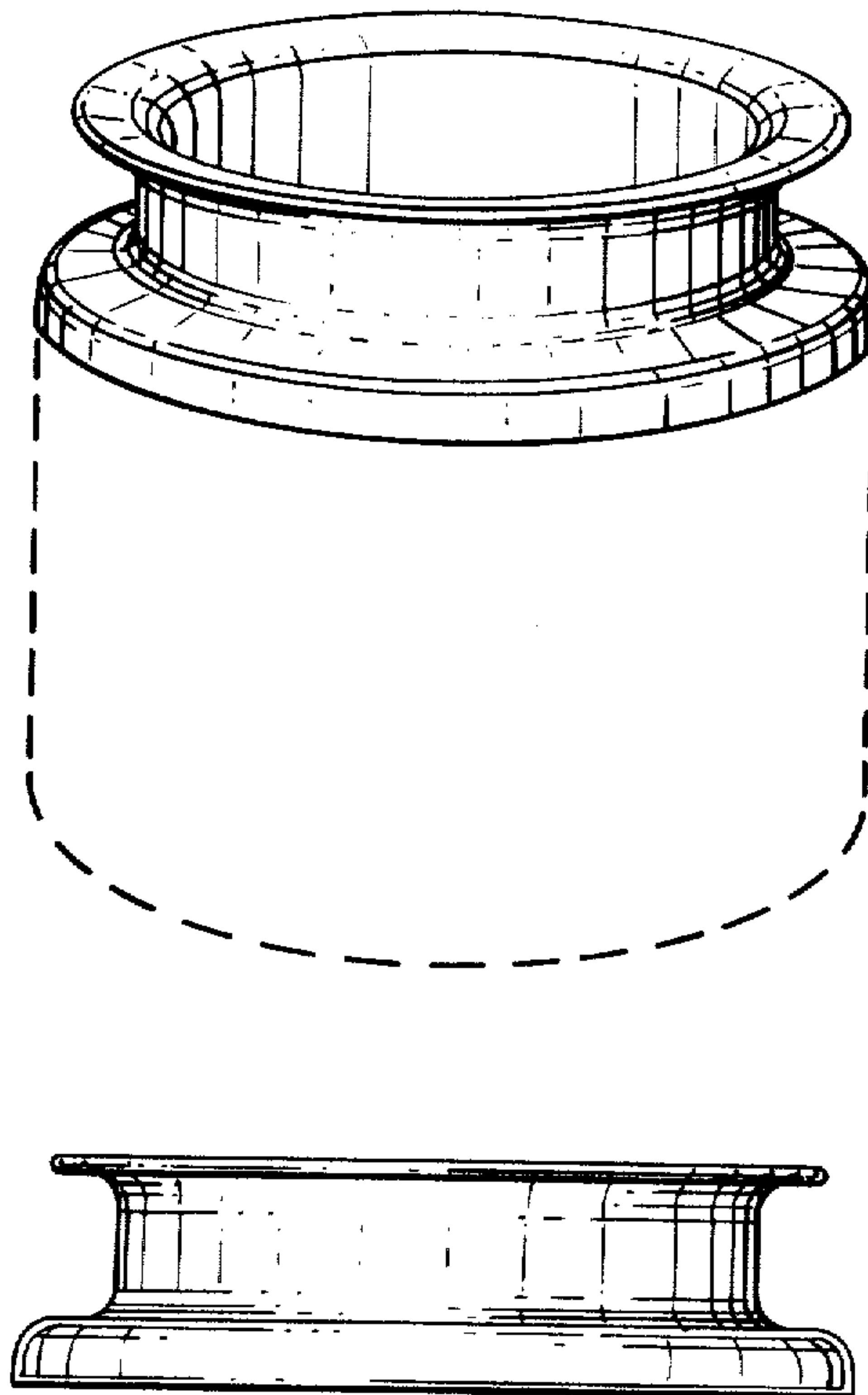
DESCRIPTION

FIG. 1 is a top perspective view of a canister rim or the like showing my new design, the broken lines being illustrative of the intended environment;
 FIG. 2 is a side elevational view thereof;
 FIG. 3 is a top plan view thereof; and
 FIG. 4 is a bottom plan view thereof.

[56] References Cited

U.S. PATENT DOCUMENTS

D. 126,200	4/1941	Eisenberg	D9/434
D. 135,454	4/1943	Norris	D9/385
D. 227,558	7/1973	Matthews, Jr.	D9/434
D. 243,065	1/1977	Picker	D9/354



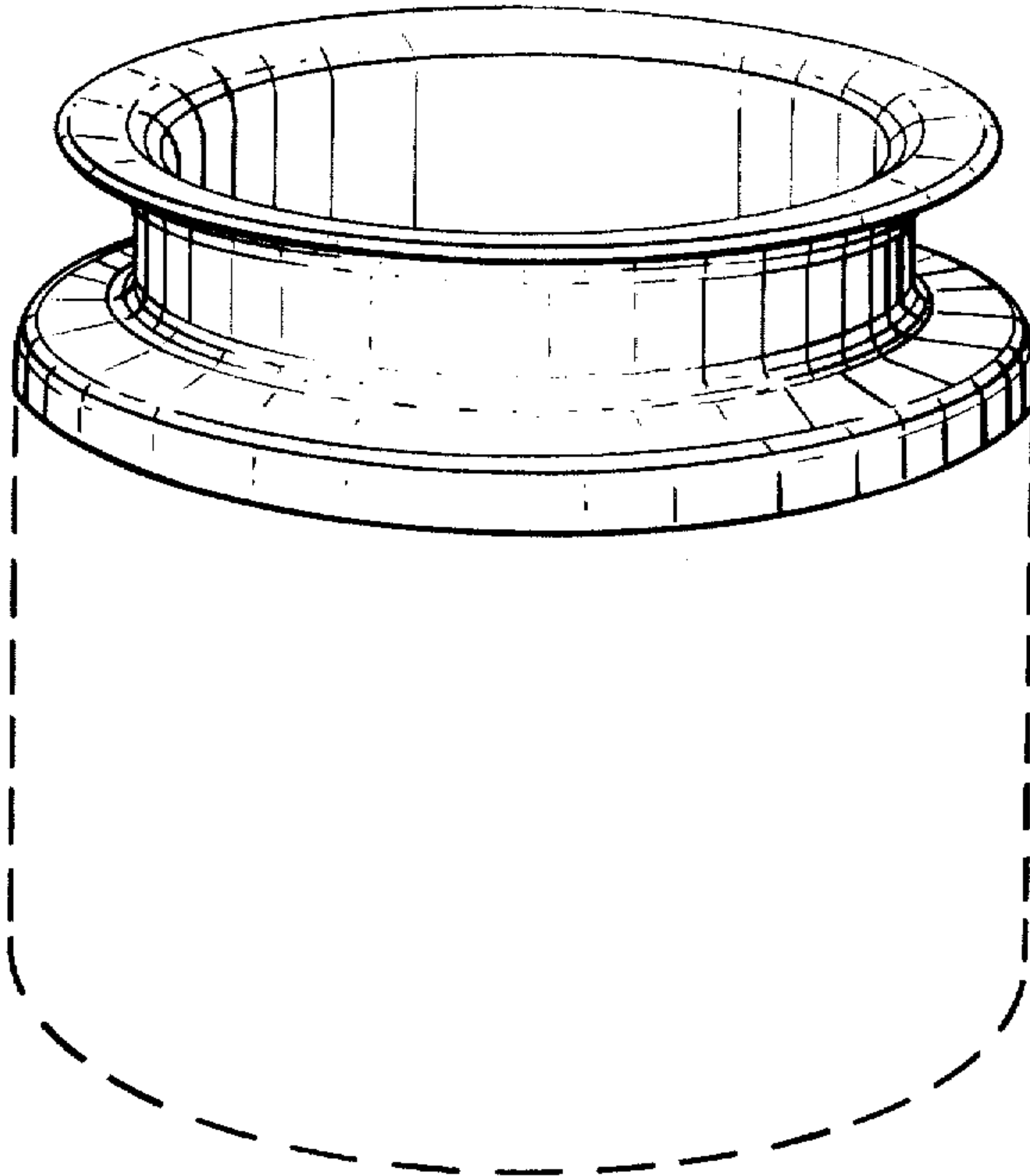


FIG. 1

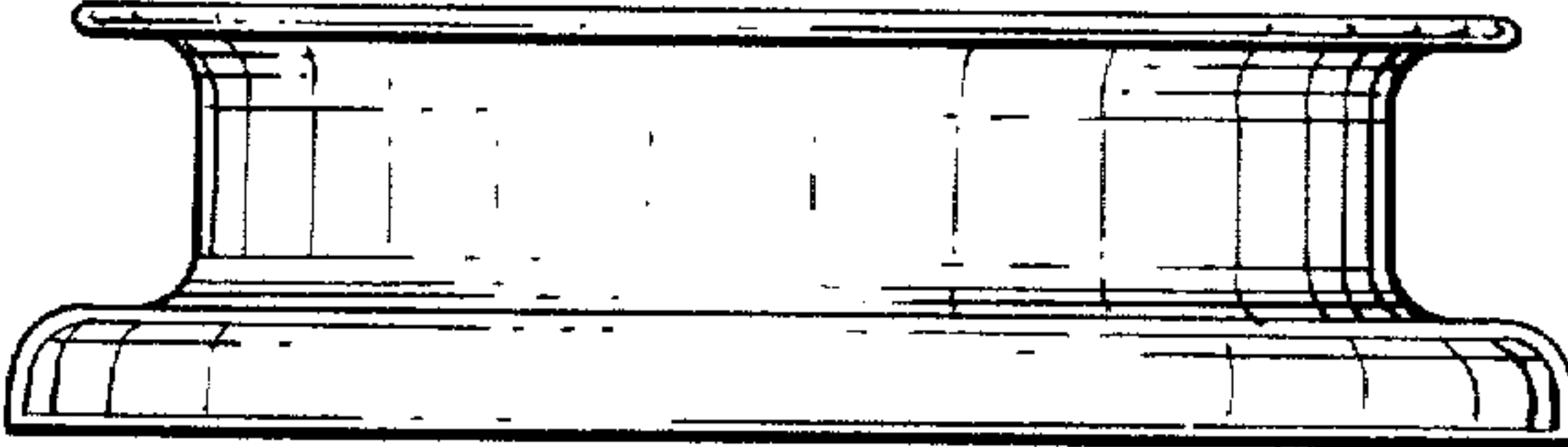


FIG. 2

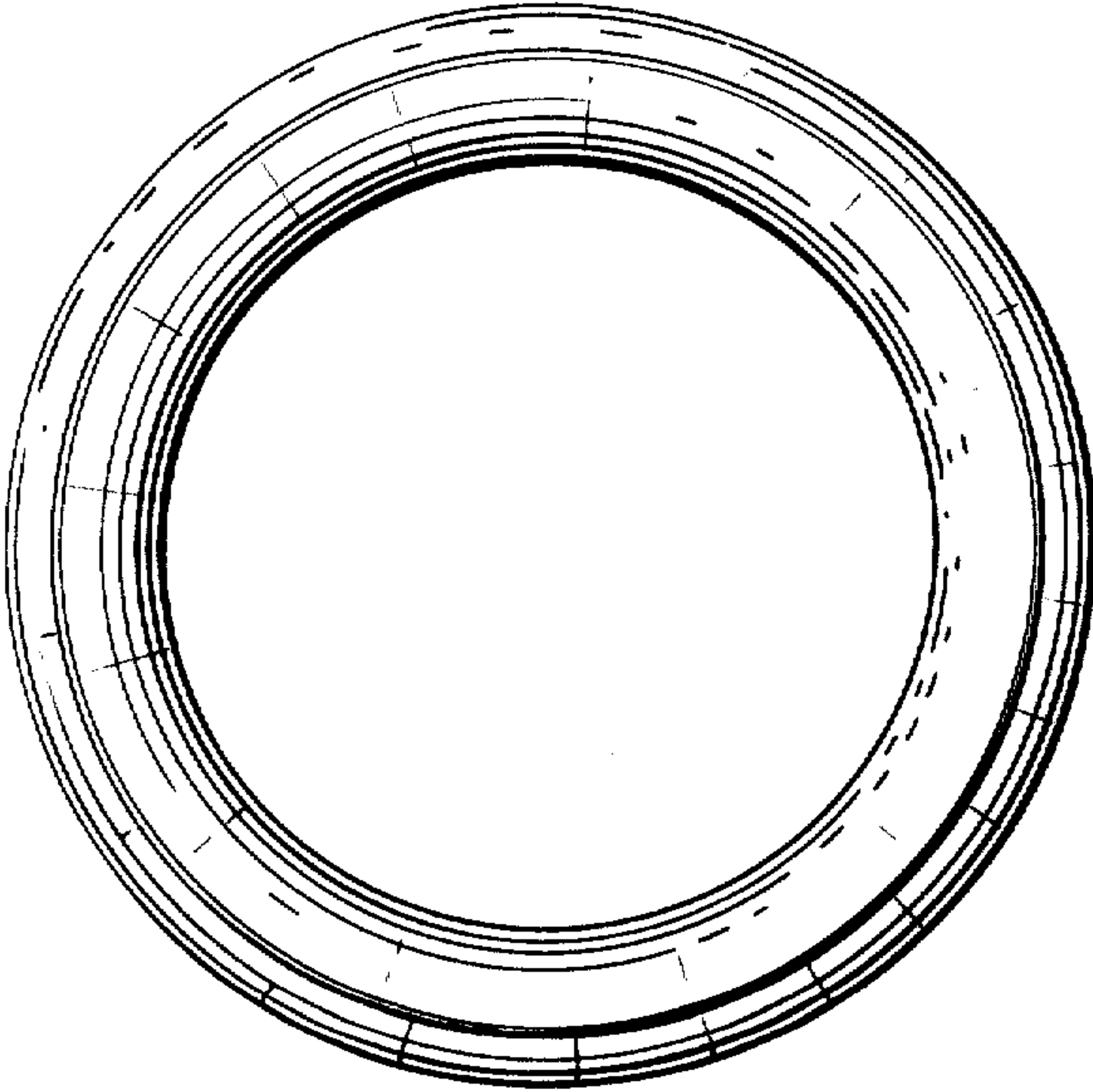


FIG. 3

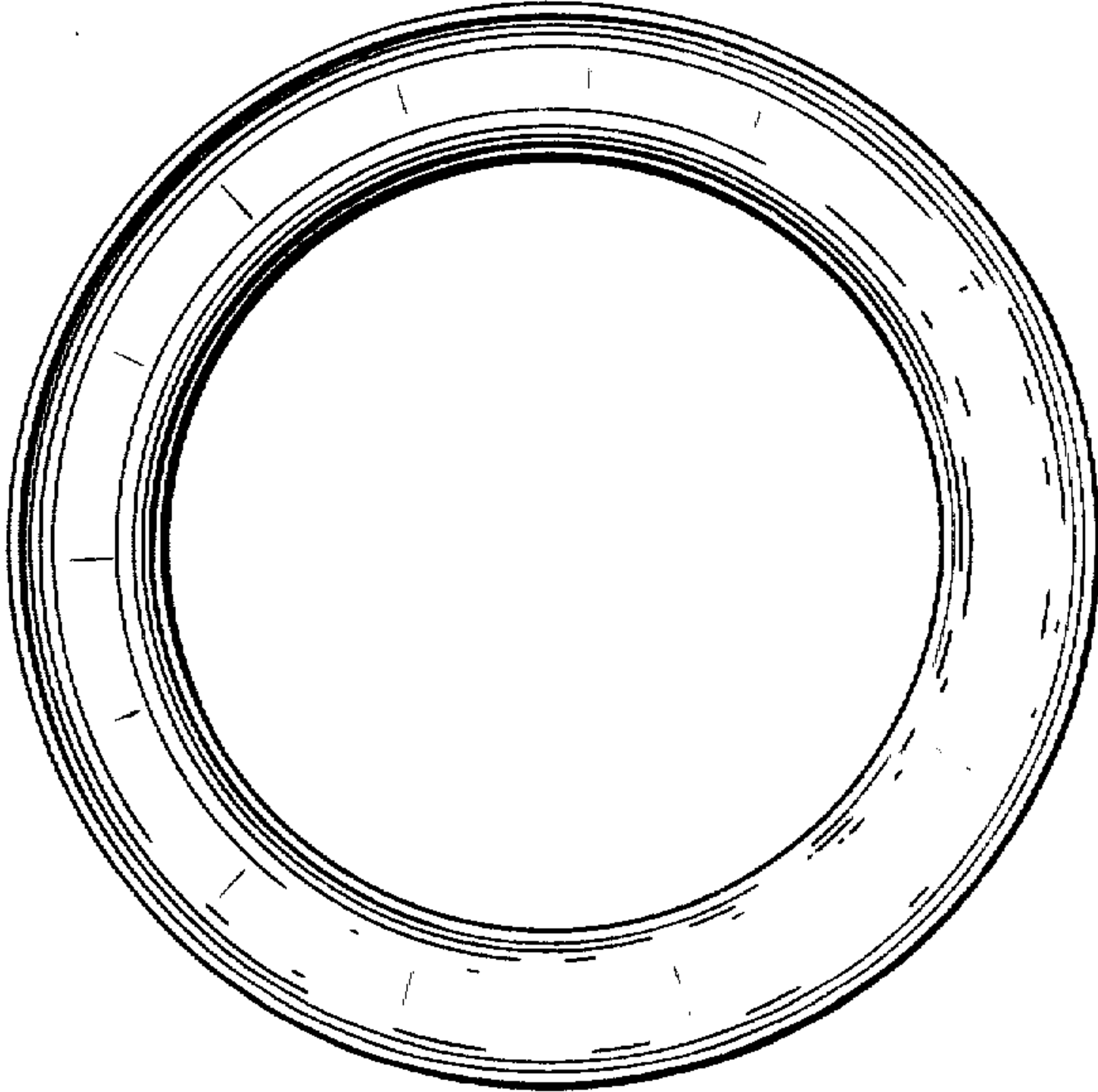


FIG. 4