

[54] HANDLE FOR A BEVERAGE CAN  
 [76] Inventor: **Thomas E. Wright**, 6340 Americana Dr., Clarendon Hills, Ill. 60514  
 [\*\*] Term: **14 Years**  
 [21] Appl. No.: **185,789**  
 [22] Filed: **Sep. 10, 1980**  
 [51] Int. Cl. .... **D07-99**  
 [52] U.S. Cl. .... **D7/70**  
 [58] Field of Search ..... D7/70; 248/145.6, 346.1; 220/85 H; 294/27 H, 33; 16/114 A; 215/100 A

3,261,635 7/1966 Talay ..... D7/70 X  
 3,794,370 2/1974 Lockhart et al. .... 16/114 A X  
 4,127,915 12/1978 Logan et al. .... 294/27 H X

*Primary Examiner*—Winifred E. Herrmann  
*Attorney, Agent, or Firm*—Bruce K. Thomas

[57] **CLAIM**

The ornamental design for a handle for a beverage can, as shown and described.

**DESCRIPTION**

FIG. 1 is a top perspective view of a handle for a beverage can showing my new design, the beverage can being shown by broken lines for illustrative purposes only;

FIG. 2 is a front elevational view thereof, the rear view being a mirror image thereof;

FIG. 3 is a right side elevational view thereof;

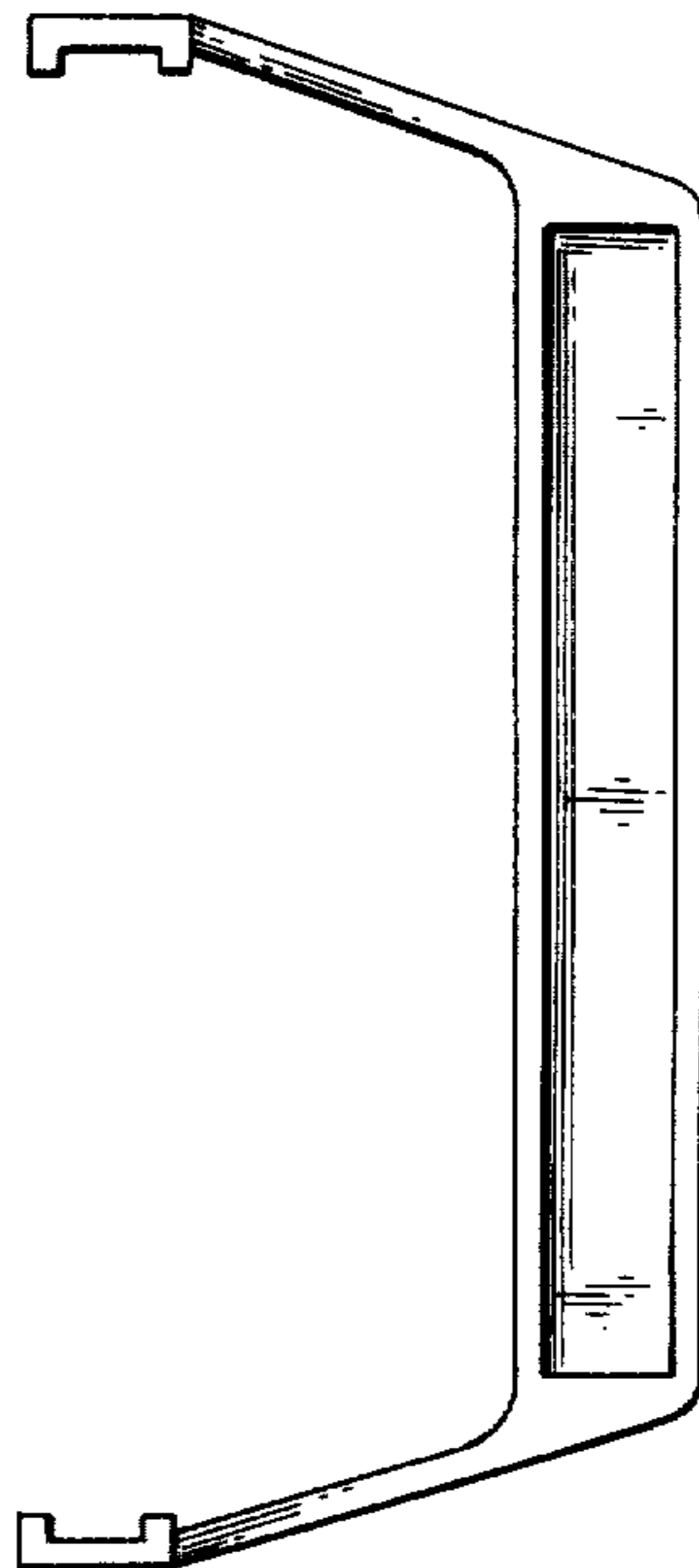
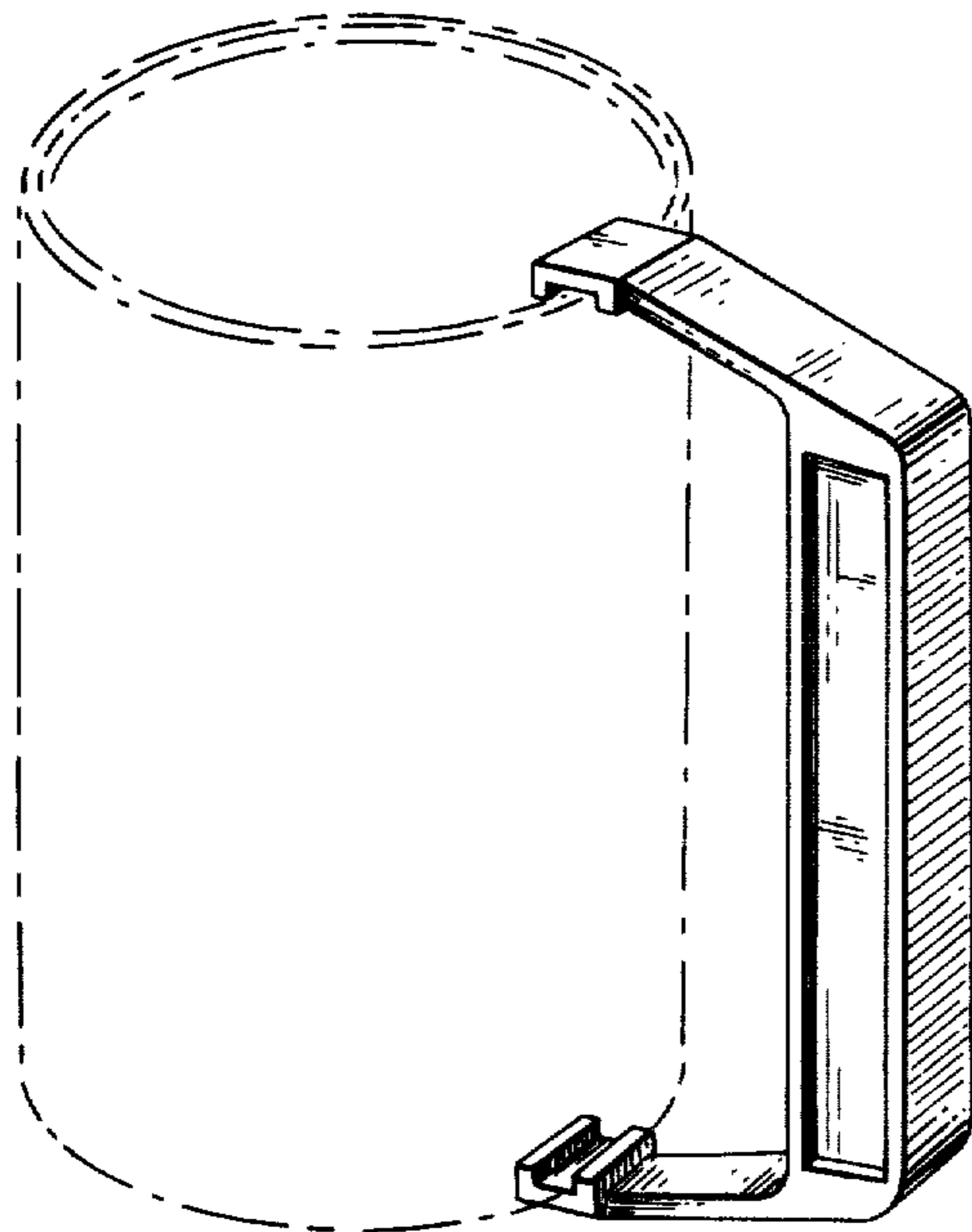
FIG. 4 is a left side elevational view thereof; and

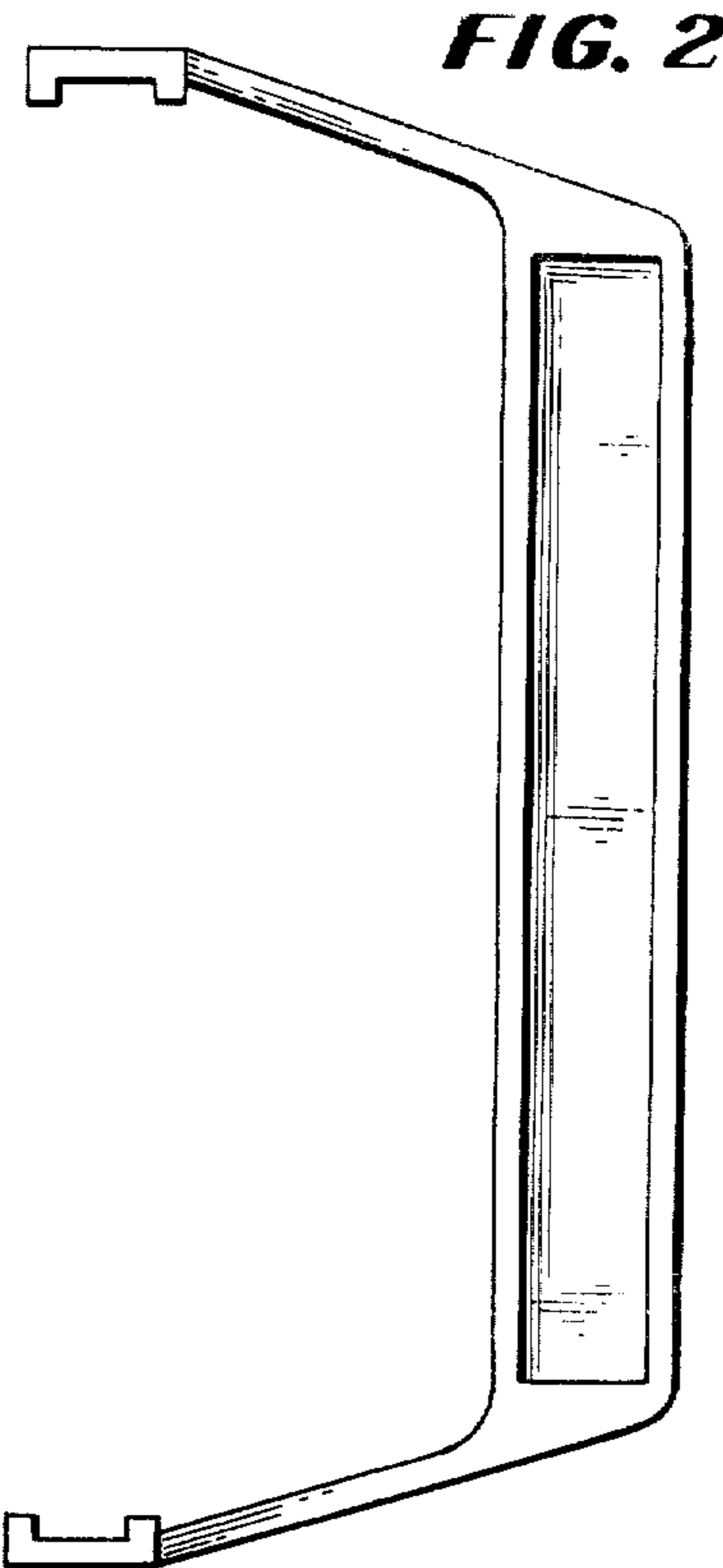
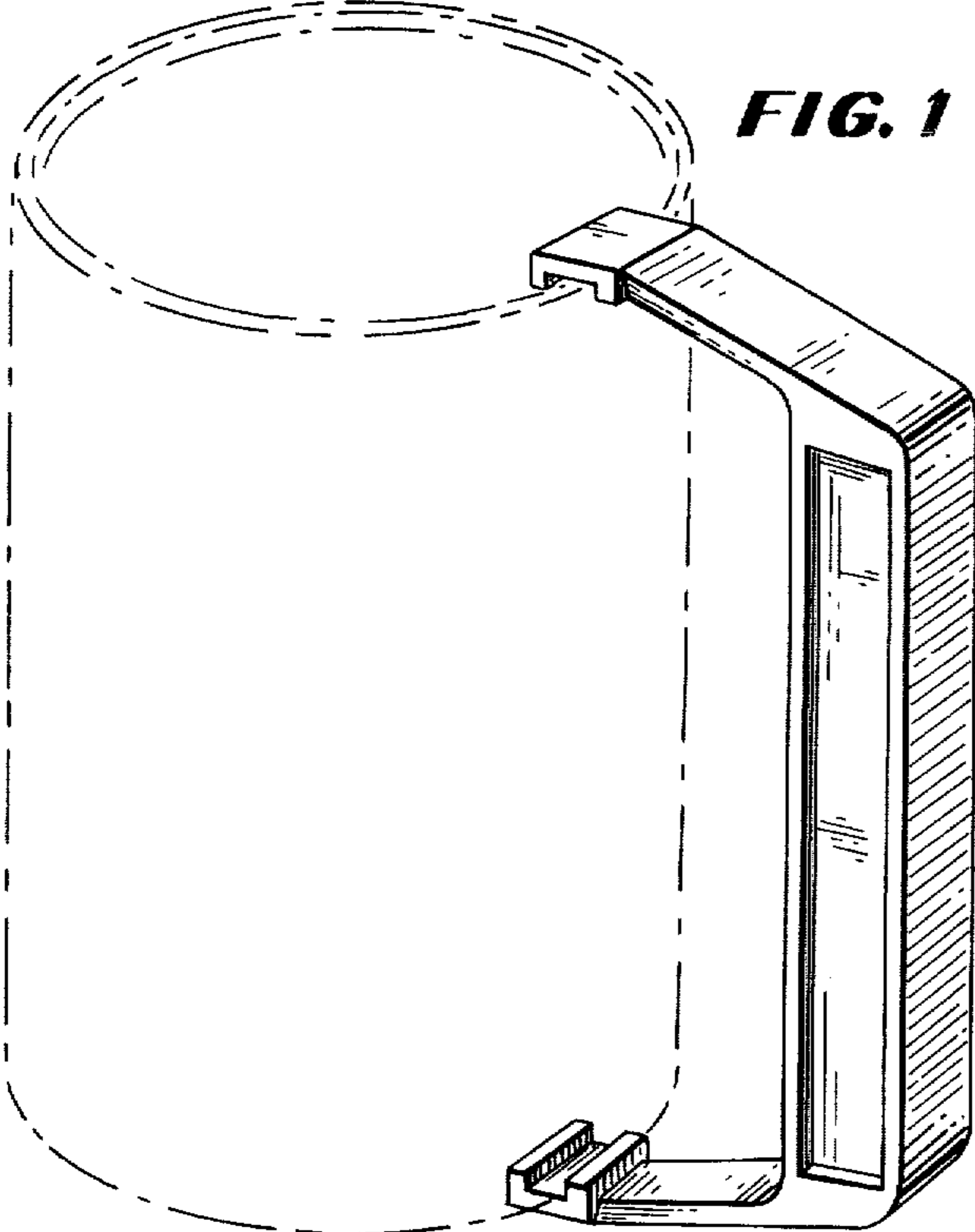
FIG. 5 is a top or bottom plan view thereof.

[56] **References Cited**

**U.S. PATENT DOCUMENTS**

D. 204,295 4/1966 Brekke ..... D7/70  
 D. 232,614 9/1974 Brown ..... D7/70  
 2,742,315 4/1956 Dreier ..... D7/70 X  
 3,189,937 6/1965 Sciortino ..... 16/114 A

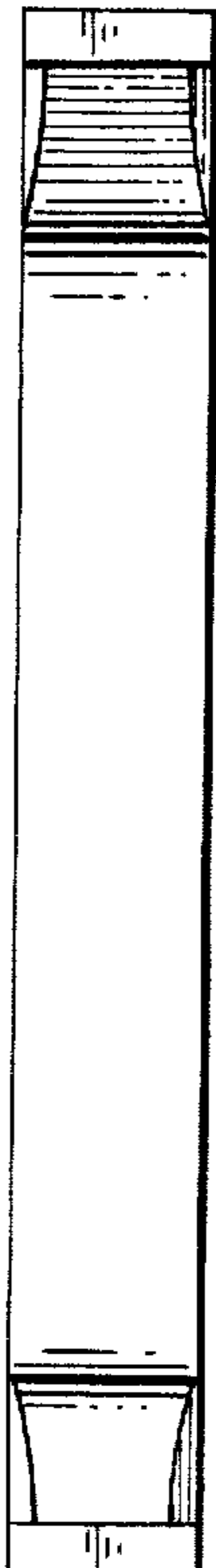




**FIG. 3**



**FIG. 4**



**FIG. 5**

