

[54] **COMBINED COMPUTER-CONTROLLED DRAFTING TABLE, CHAIR AND MICROPROCESSOR BASE UNIT FOR ENGINEERING USE**

D. 234,238 2/1975 Miller ..... D6/45  
3,574,395 4/1971 Pongracz ..... D6/45 X  
4,043,276 8/1977 Dahl ..... 108/150 X  
4,238,097 12/1980 Clausen et al. .... 248/188.7

[76] Inventor: **Eugene L. Selleck**, 419 Wolcott Ave., Beacon, N.Y. 12508

*Primary Examiner*—Bruce W. Dunkins

[\*\*] Term: **7 Years**

[57] **CLAIM**

[21] Appl. No.: **100,366**

The ornamental design for a combined computer-controlled drafting table, chair and microprocessor base unit for engineering use, as shown and described.

[22] Filed: **Dec. 5, 1979**

**DESCRIPTION**

[51] Int. Cl. .... **D6—05**

[52] U.S. Cl. .... **D6/4; D6/42; D6/156**

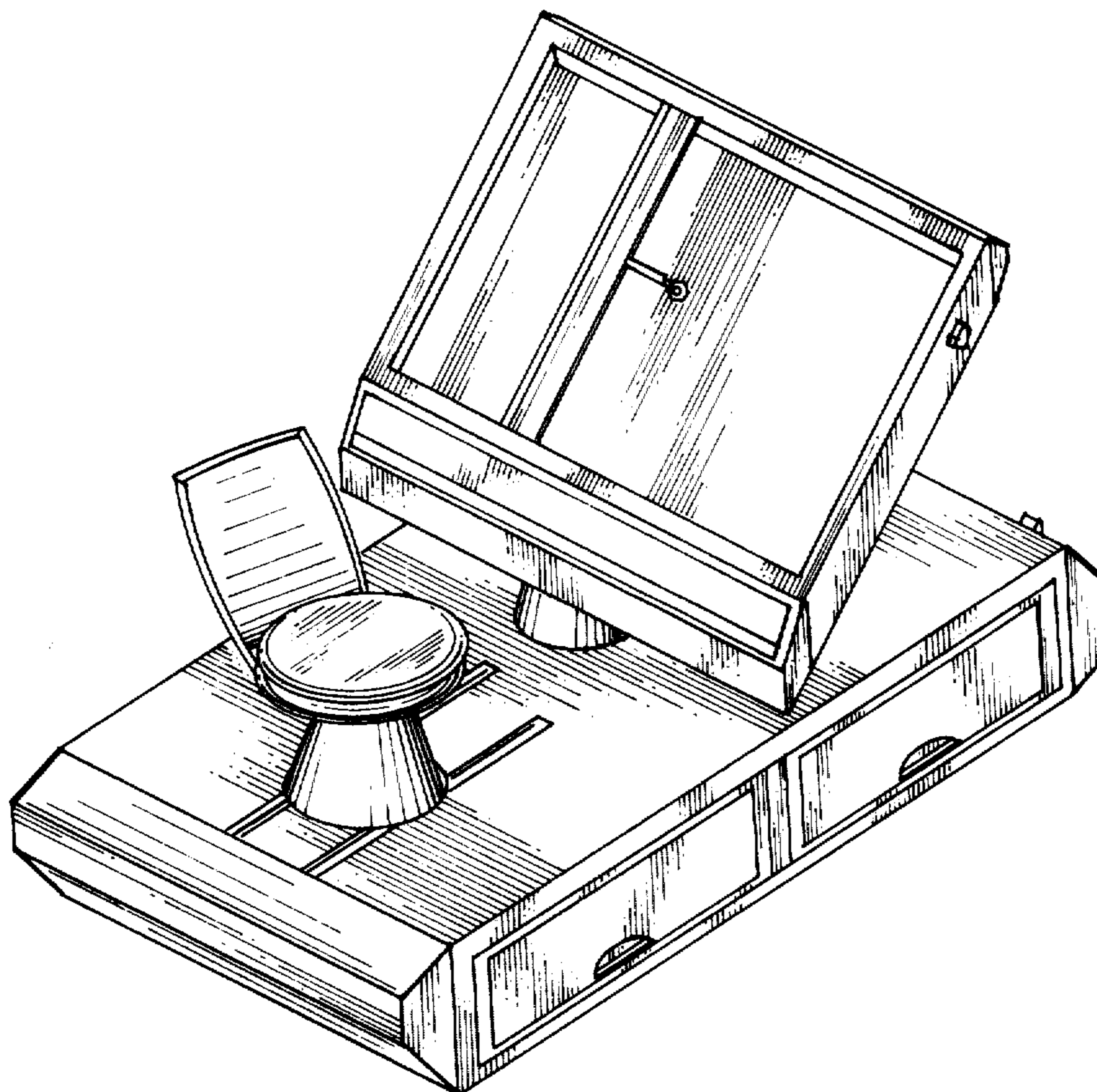
[58] Field of Search ..... **D6/45, 47-78, D6/167, 157; 108/150; 248/188.7**

FIG. 1 is a front elevational view of a combined computer-controlled drafting table, chair and microprocessor base unit for engineering use showing my design; FIG. 2 is a top plan view thereof; FIG. 3 is a right end elevational view; and FIG. 4 is a front perspective view wherein the chair has been pivoted to an alternate position. The undisclosed rear surface is conventional in appearance.

[56] **References Cited**

**U.S. PATENT DOCUMENTS**

D. 190,110 4/1961 Breshears ..... D6/47 X



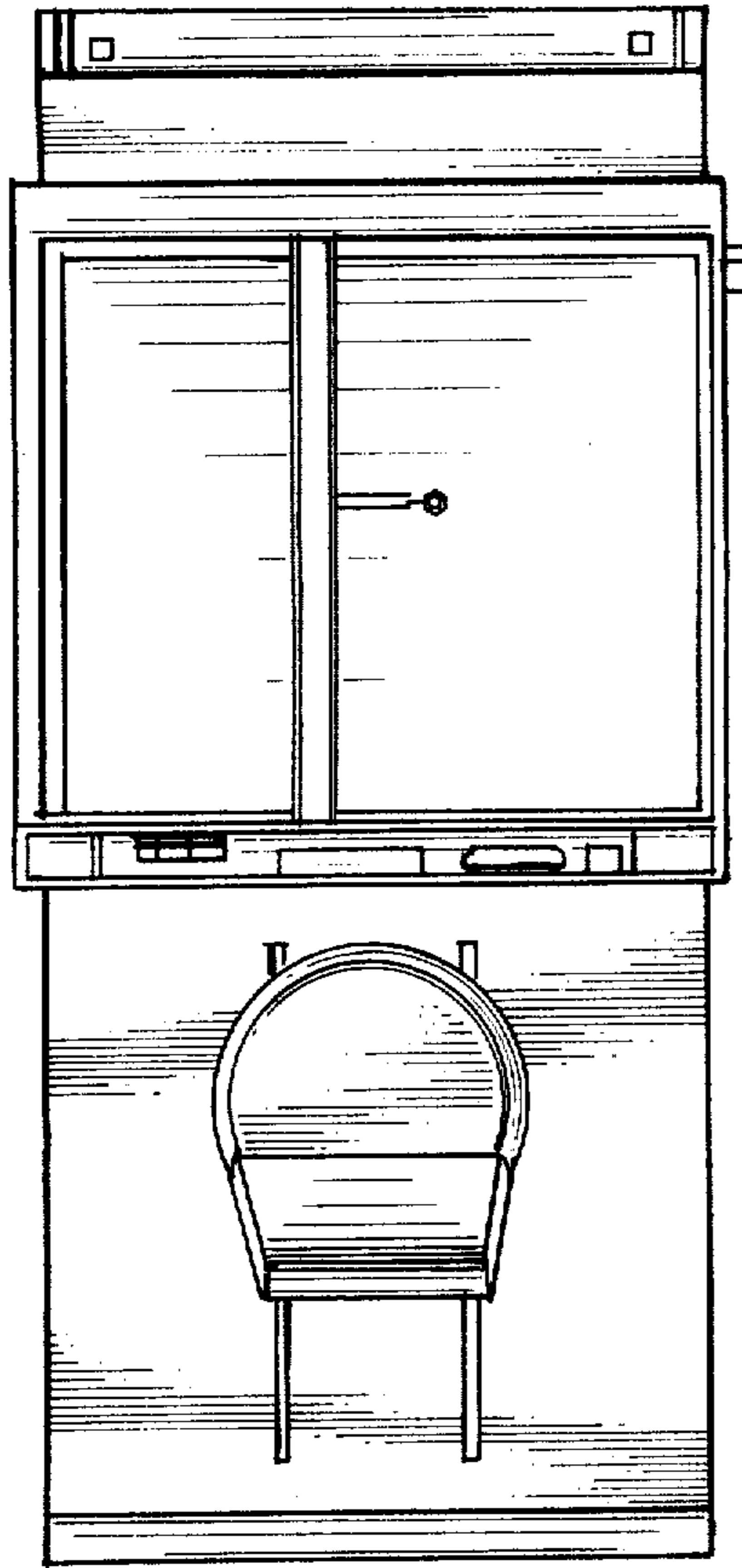


FIG. 2

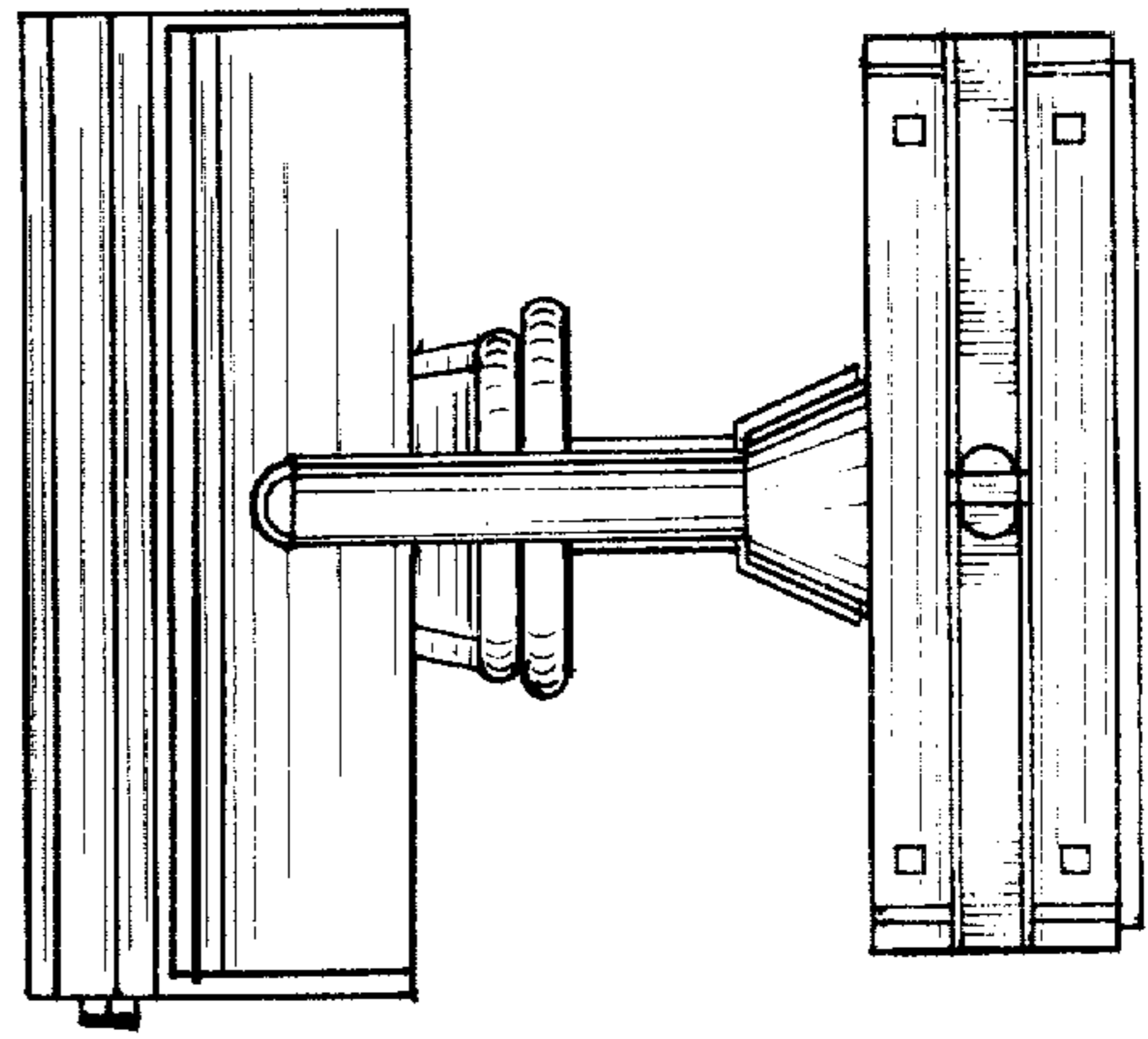


FIG. 3

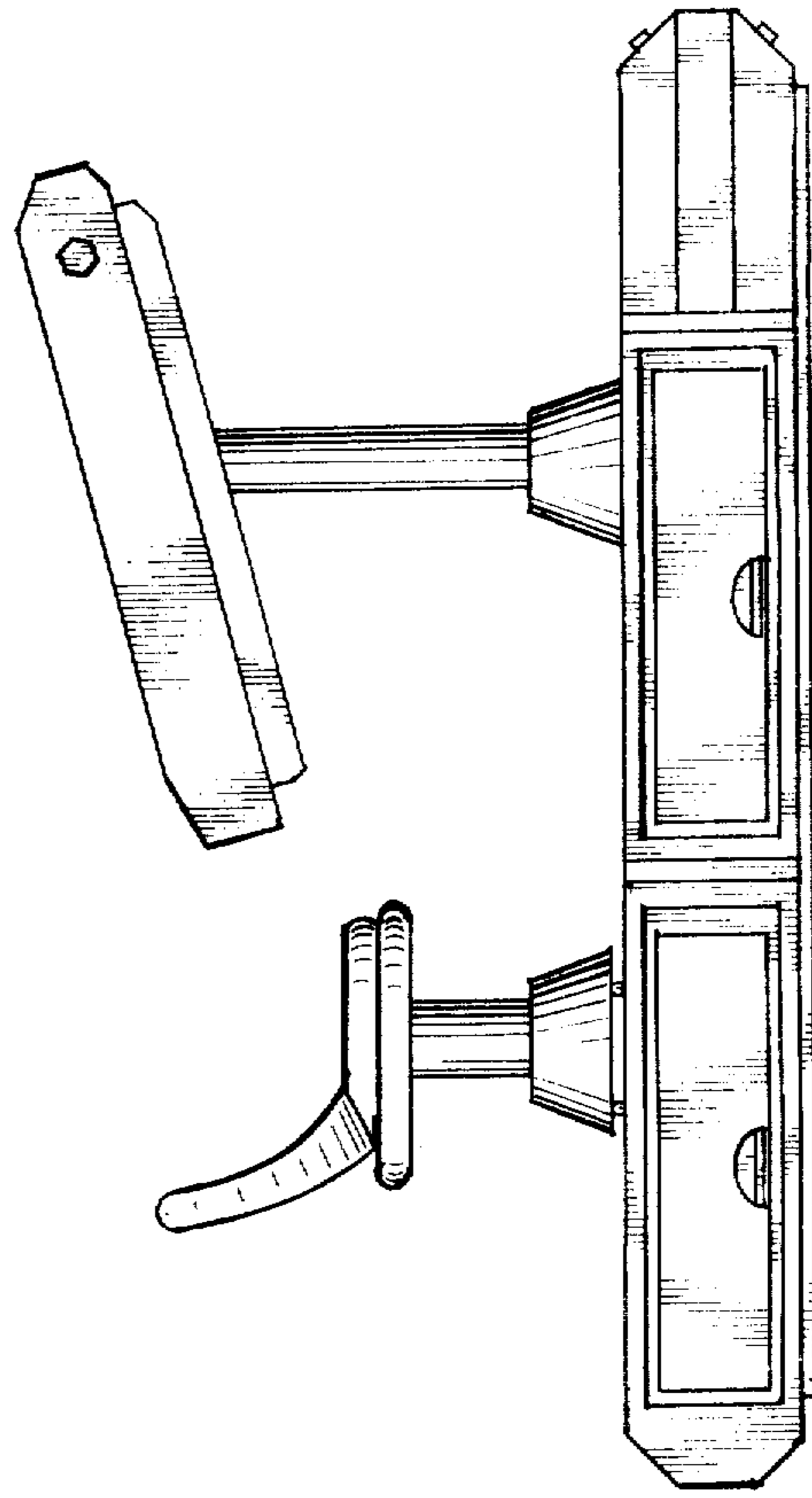


FIG. 1

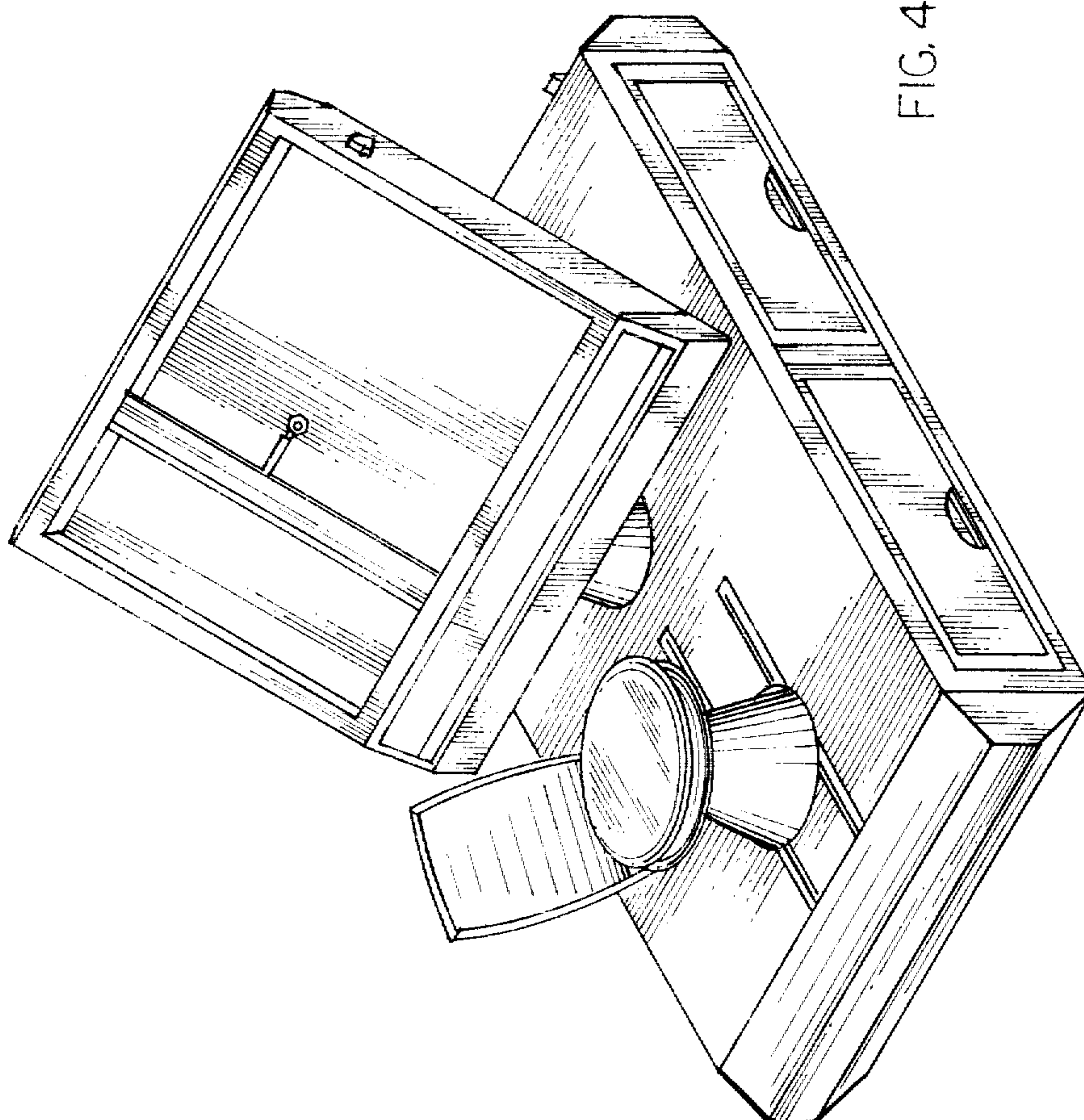


FIG. 4