

[54] **COMBINED TOOTHBRUSH AND TONGUE CLEANER**

[76] Inventor: **William R. McCarty**, 176 Lenox Ave., Pittsfield, Mass. 01201

[**] Term: **14 Years**

[21] Appl. No.: **192,861**

[22] Filed: **Oct. 1, 1980**

[51] Int. Cl. **D4—02**

[52] U.S. Cl. **D4/18; D4/25**

[58] Field of Search **D4/1-38; D24/13; 15/111, 236 R, 159 R, 159 A, 160, 167 R, 167 A; 132/79 R, 83 R, 84 R, 84 C**

[56] **References Cited**

U.S. PATENT DOCUMENTS

D. 162,941	4/1951	Ehrman	15/167 R X
D. 246,878	1/1978	Kitzis	D4/25 X
D. 259,977	7/1981	Porder	D4/25
3,120,670	2/1964	Amodeo	15/167

Primary Examiner—Catherine E. Kemper

[57] **CLAIM**

The ornamental design for a combined toothbrush and tongue cleaner, as shown and described.

DESCRIPTION

FIG. 1 is a top plan view of a combined toothbrush and tongue cleaner, showing my new design;

FIG. 2 is a side elevational view, the opposite side being a mirror image thereof;

FIG. 3 is a bottom plan view thereof;

FIG. 4 is a top perspective view thereof.

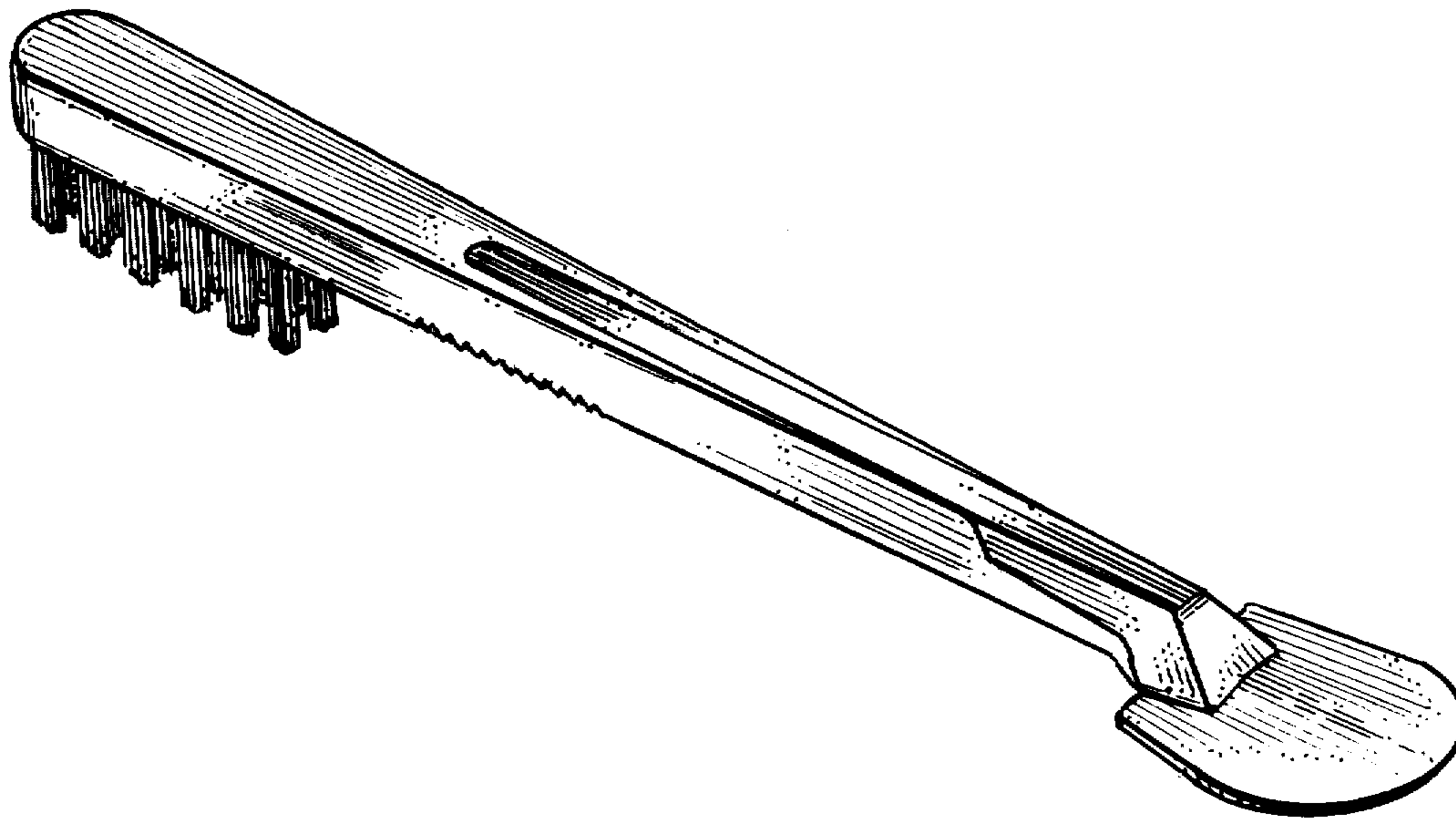


Fig. 1.

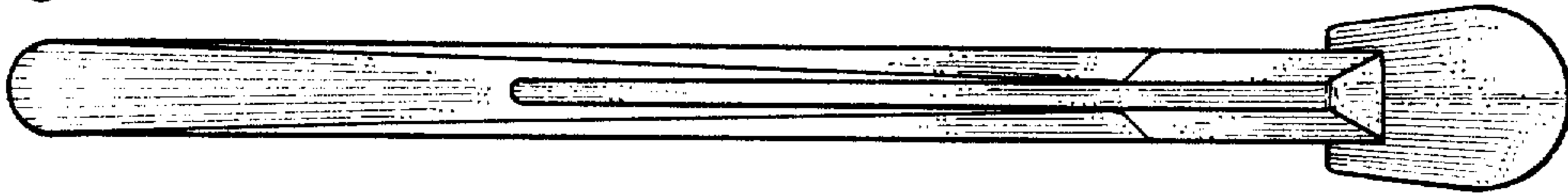


Fig. 2.

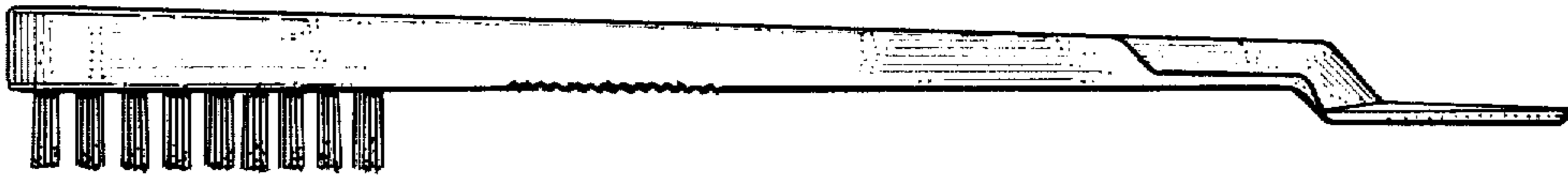


Fig. 3.

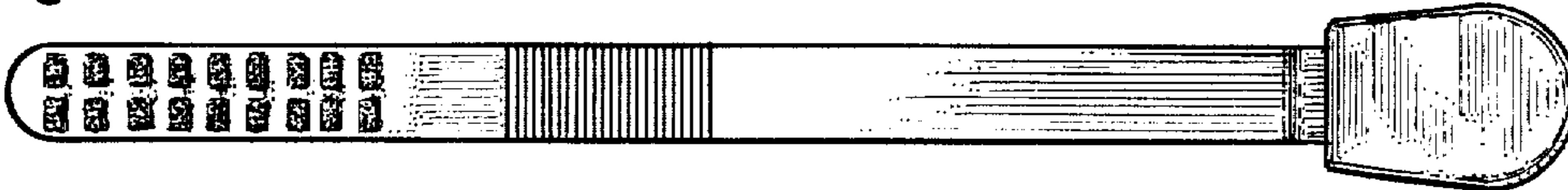


Fig. 4.

