

[54] ELECTRICAL GOLF BAG CARRIER

[76] Inventor: Joseph H. Fox, 8 Clarendon Rd., Birmingham, Ala. 35213

[**] Term: 14 Years

[21] Appl. No.: 159,771

[22] Filed: Jun. 16, 1980

[51] Int. Cl. D12-02

[52] U.S. Cl. D34/15

[58] Field of Search D34/15; 280/DIG. 5; 180/19 R, 19 H, 65 R

[56] References Cited

U.S. PATENT DOCUMENTS

2,962,106 11/1960 Burnside et al. D34/15

Primary Examiner—James M. Gandy
Attorney, Agent, or Firm—Woodford R. Thompson, Jr.

[57] CLAIM

The ornamental design for an electric golf bag carrier, as shown.

DESCRIPTION

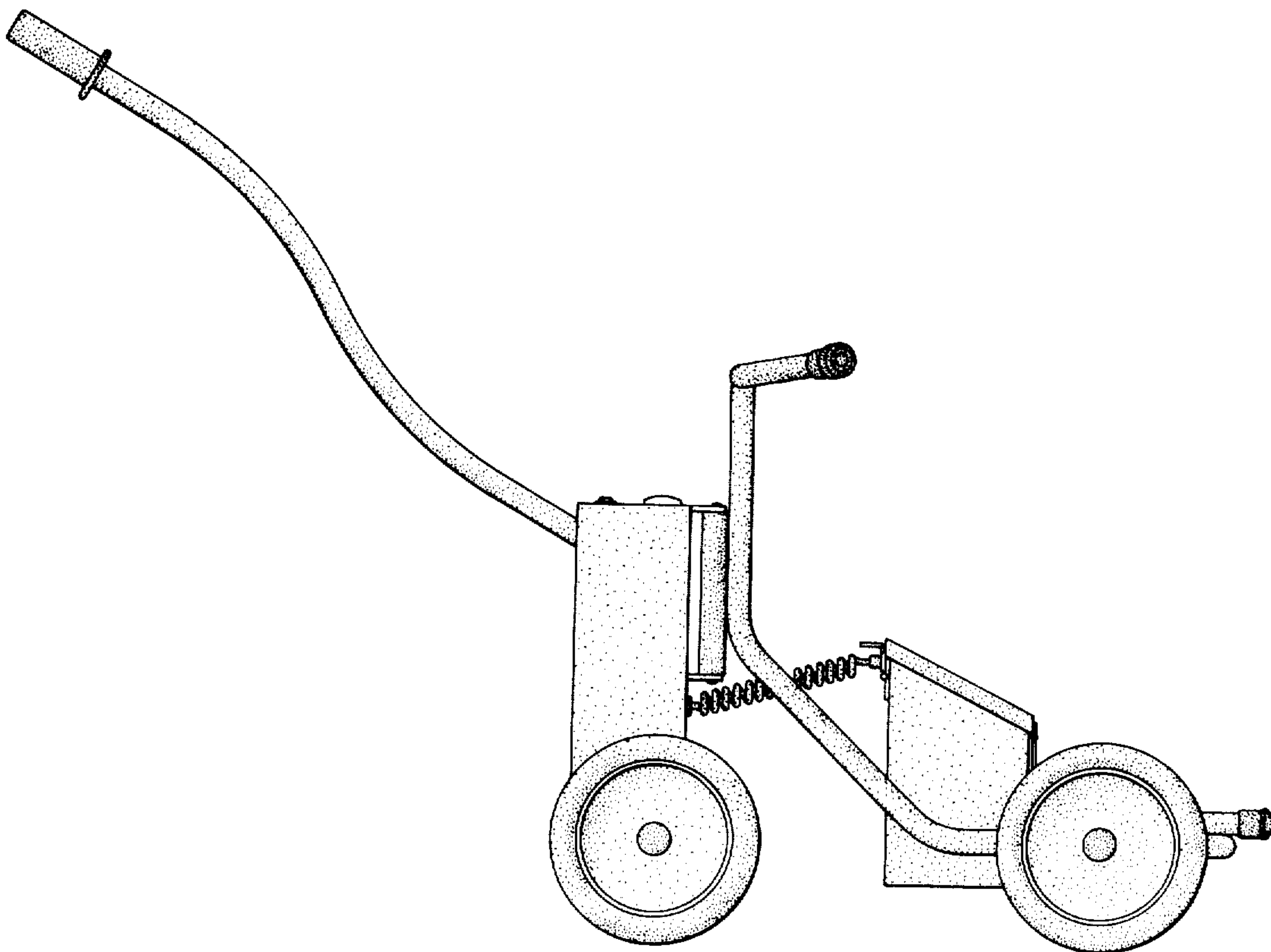
FIG. 1 is a side elevational view of an electric golf bag carrier showing my new design;

FIG. 2 is a side elevational view of the side opposite that shown in FIG. 1;

FIG. 3 is a front elevational view thereof;

FIG. 4 is a rear elevational view thereof, and

FIG. 5 is a top plan view thereof, the bottom being plain and unornamented.



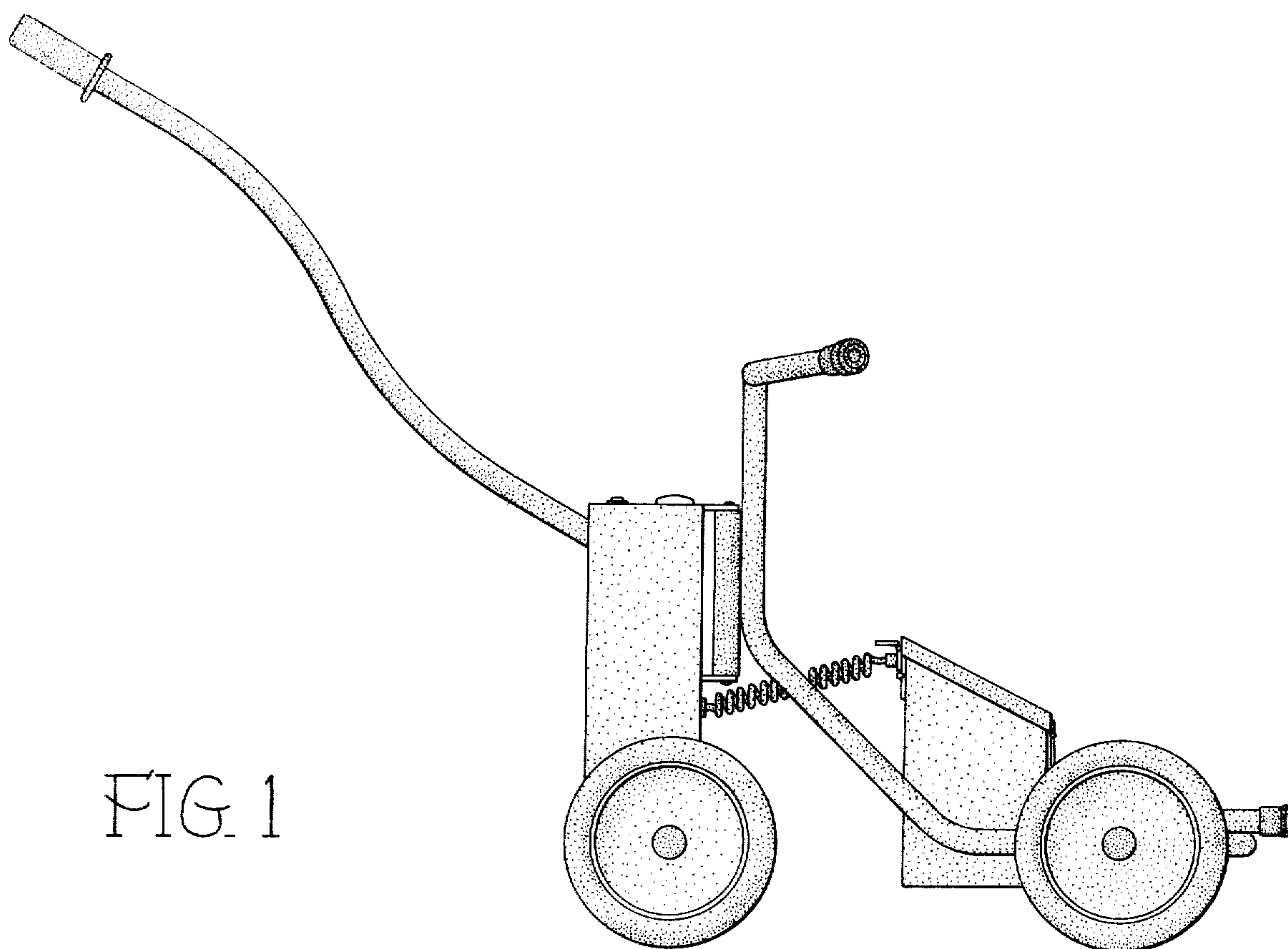


FIG. 1

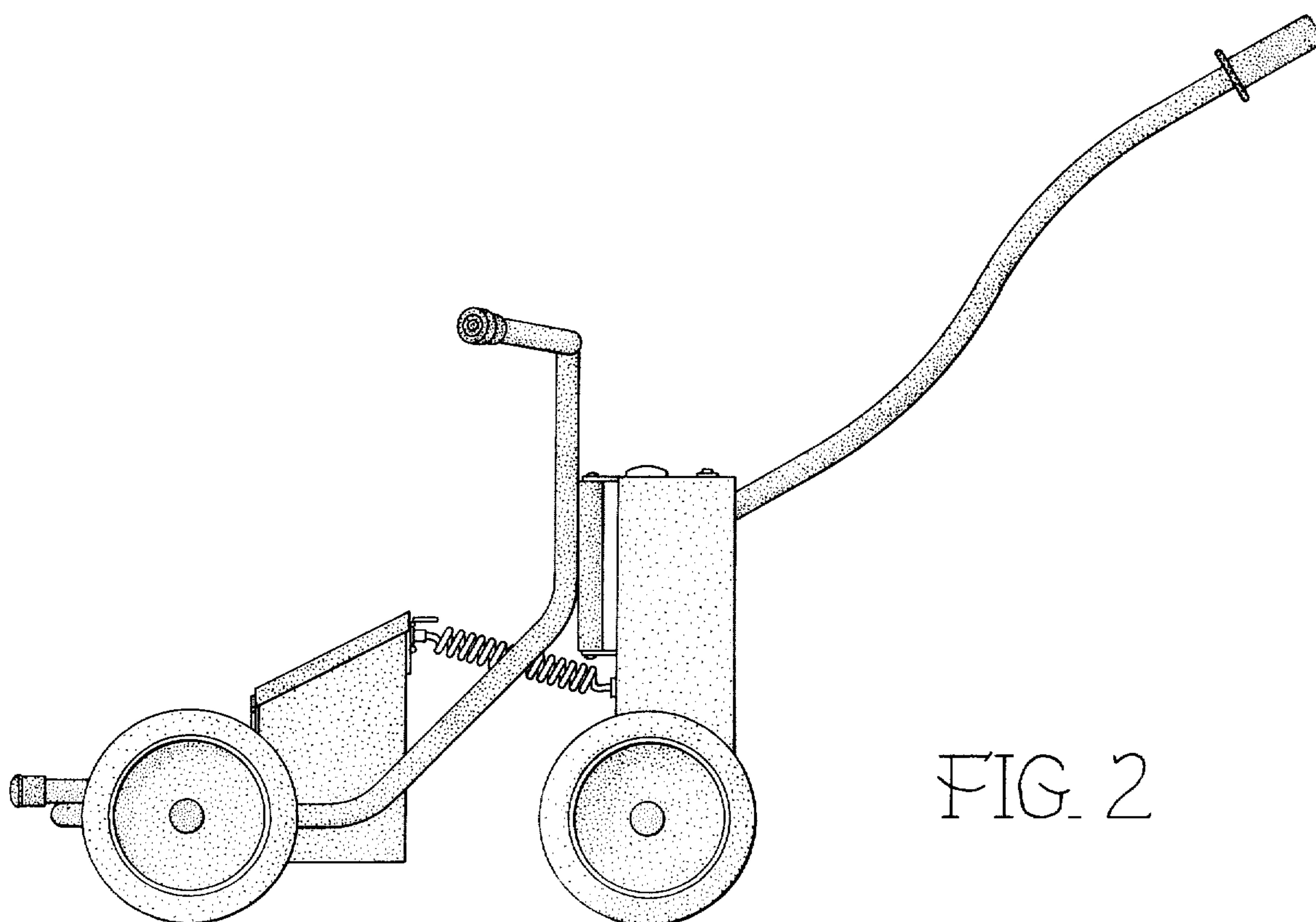


FIG. 2

FIG. 3

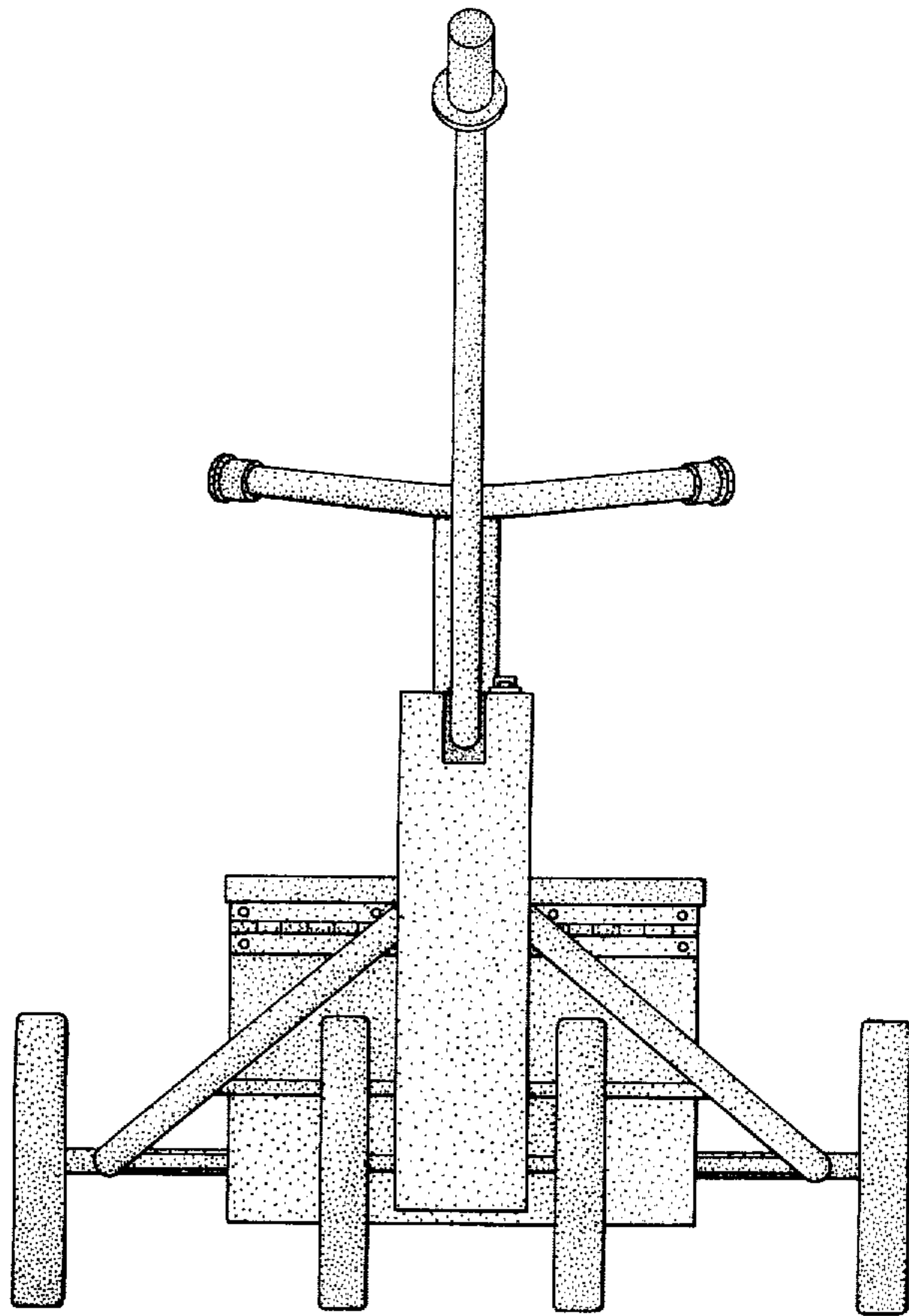
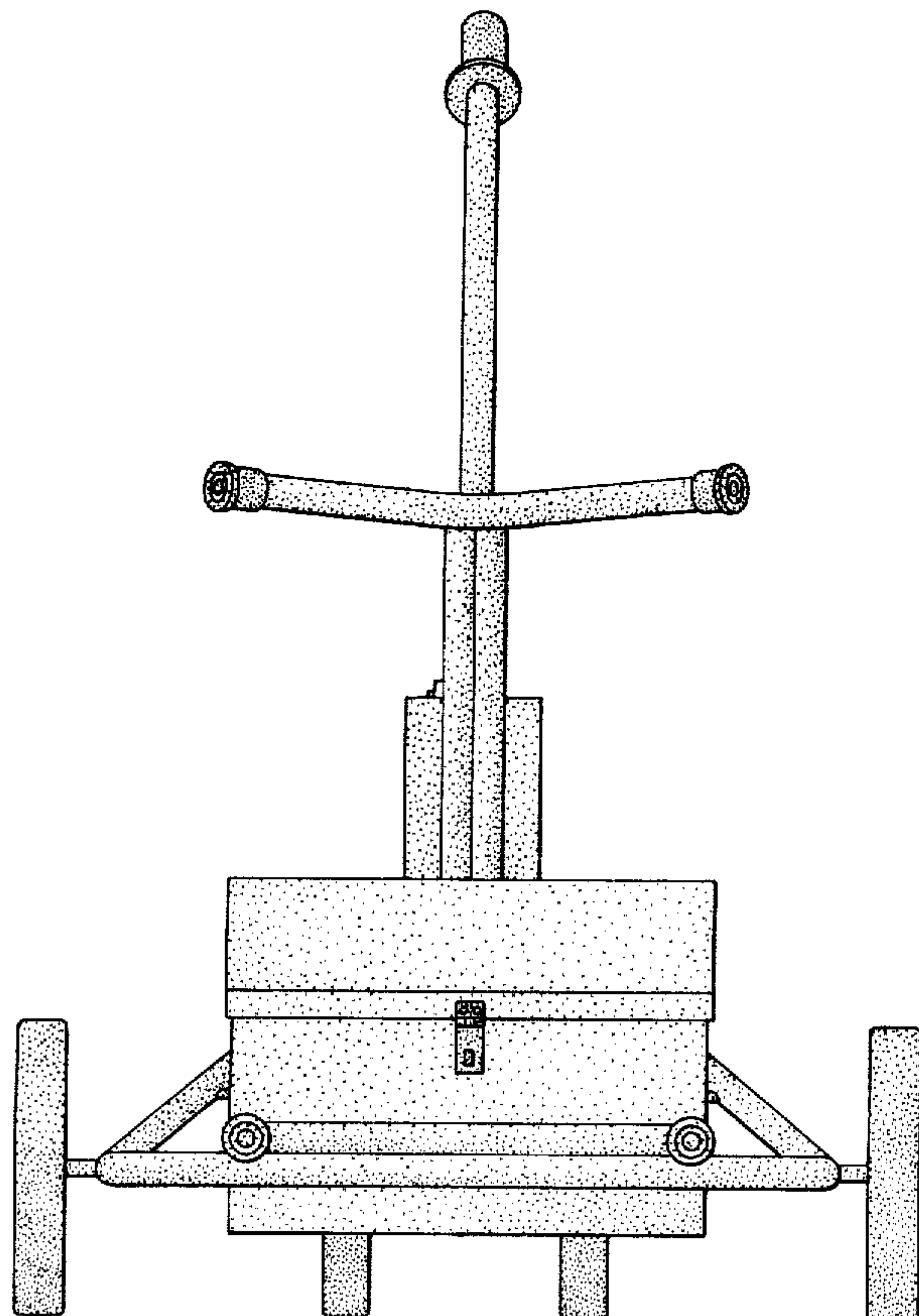


FIG. 4



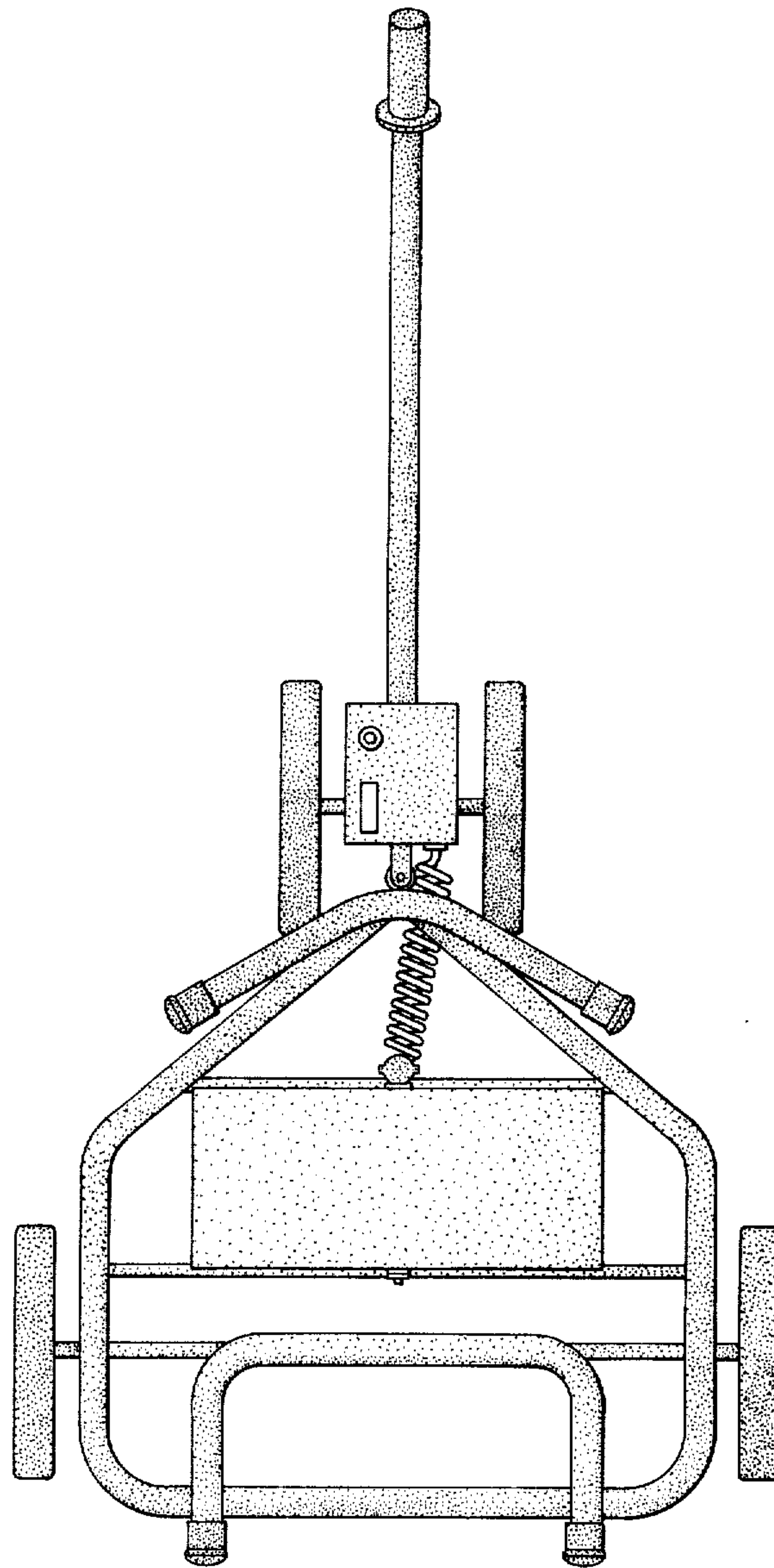


FIG. 5