

[54] CATTLE FEED BUNKER

[75] Inventors: **Richard E. Bunger; Roy J. Hancock,**
both of Phoenix, Ariz.

[73] Assignee: **Corral Industries, Inc.,** Phoenix,
Ariz.

[**] Term: **14 Years**

[21] Appl. No.: **168,558**

[22] Filed: **Jul. 14, 1980**

[51] Int. Cl. **D30—03**

[52] U.S. Cl. **D30/13**

[58] Field of Search **D30/1, 2, 13-18;**
119/27, 28, 61

[56] **References Cited**

U.S. PATENT DOCUMENTS

D. 177,476	4/1956	Ludi	D30/13
194,485	8/1877	Van Riper	119/61
D. 236,511	8/1975	Bunger	D30/13
695,687	3/1902	Huxley	119/61 X

1,282,784	10/1918	Enholm	119/61 X
1,294,366	2/1919	Louden	119/61 X
1,457,850	6/1923	Neller	119/27
1,459,535	6/1923	Hird	119/61
2,221,046	11/1940	Gandrud	119/27
2,310,200	2/1943	Callis	119/61
3,911,869	10/1975	Lien	119/61

Primary Examiner—James R. Largen
Attorney, Agent, or Firm—Warren F. B. Lindsley

[57] **CLAIM**

The ornamental design for the cattle feed bunker, as shown and described.

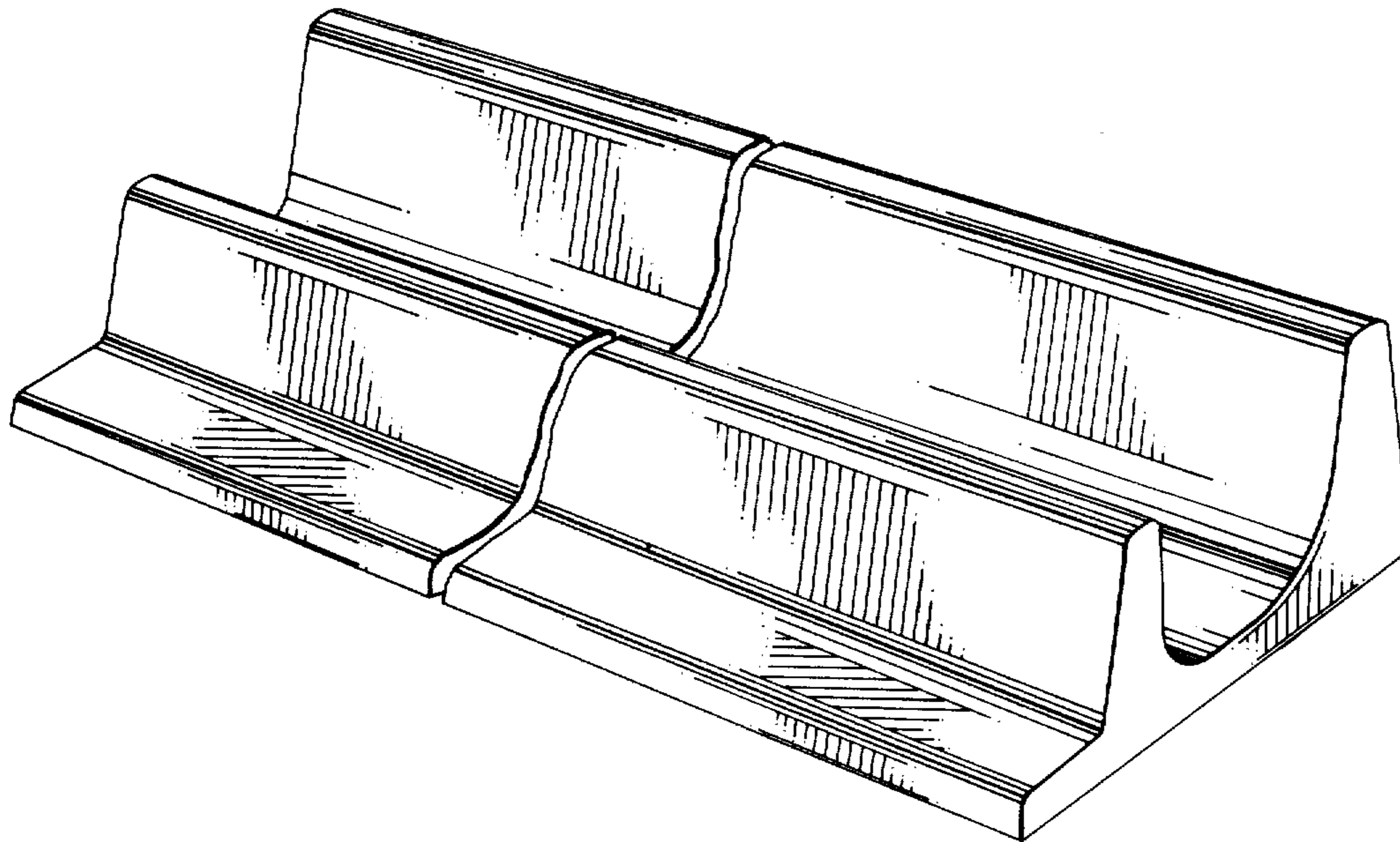
DESCRIPTION

FIG. 1 is a perspective view taken from the top, front and right side of a cattle feed bunker showing our new design;

FIG. 2 is a perspective view taken from the bottom, front and left side thereof; and

FIG. 3 is a rear elevational view thereof.

The cattle feed bunker has been broken away in FIGS. 1, 2 and 3 to indicate indeterminate length.



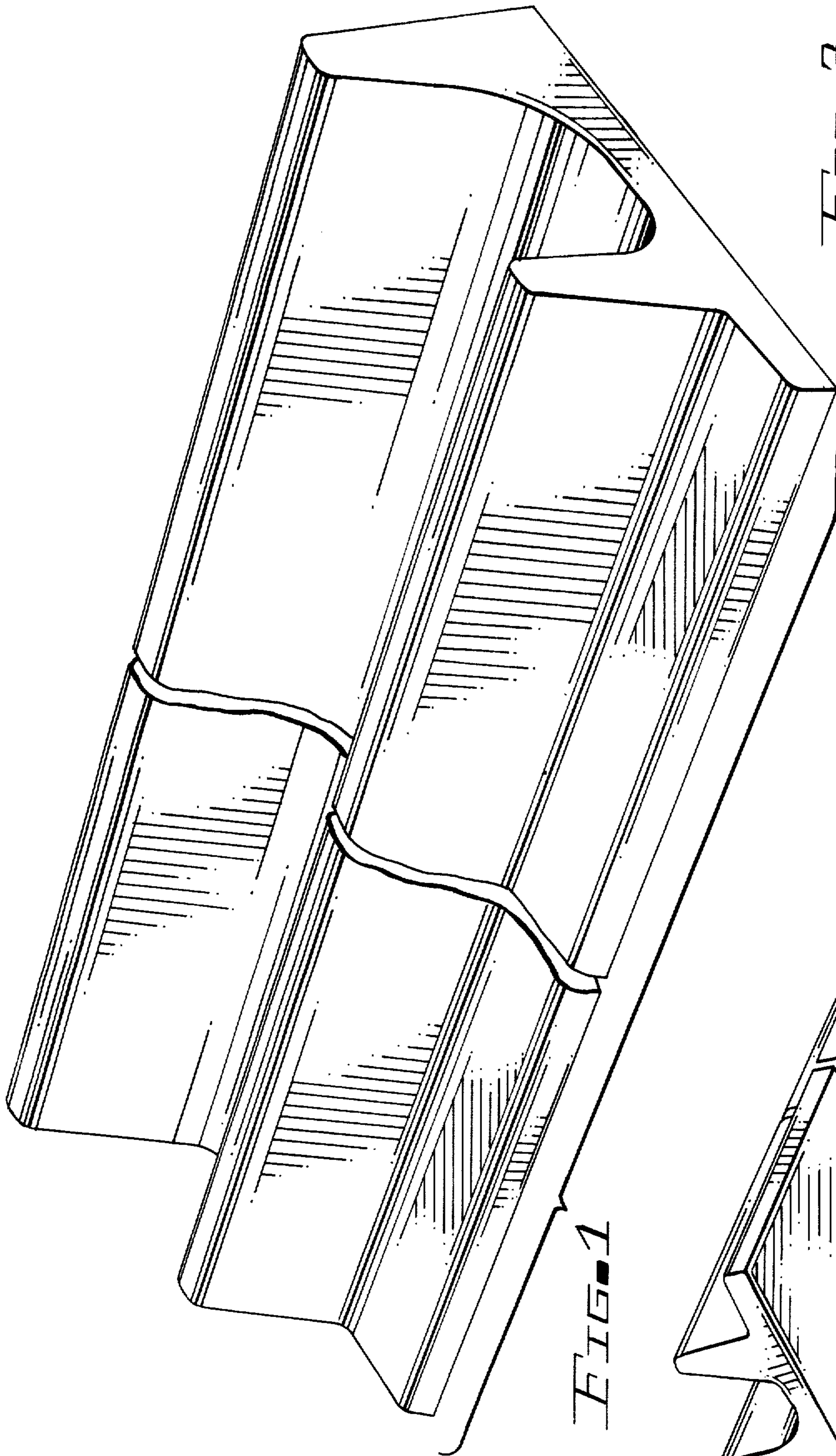


FIG. 1

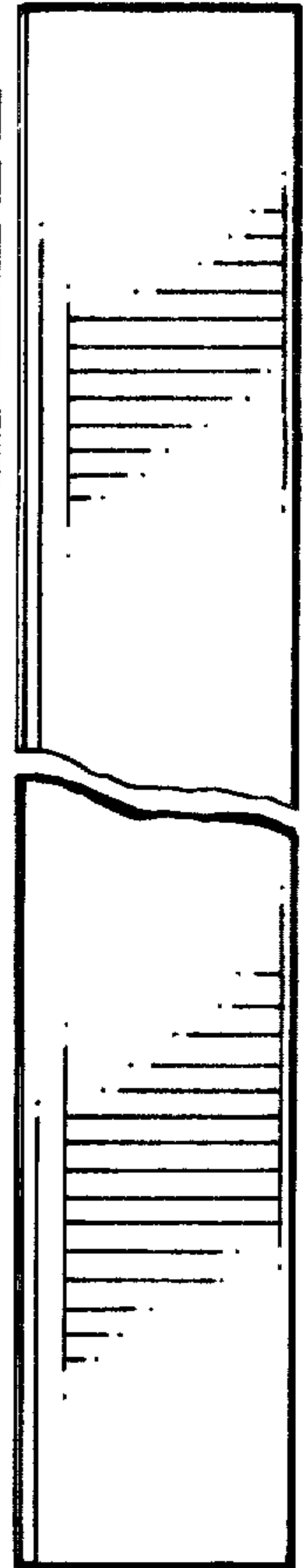


FIG. 3

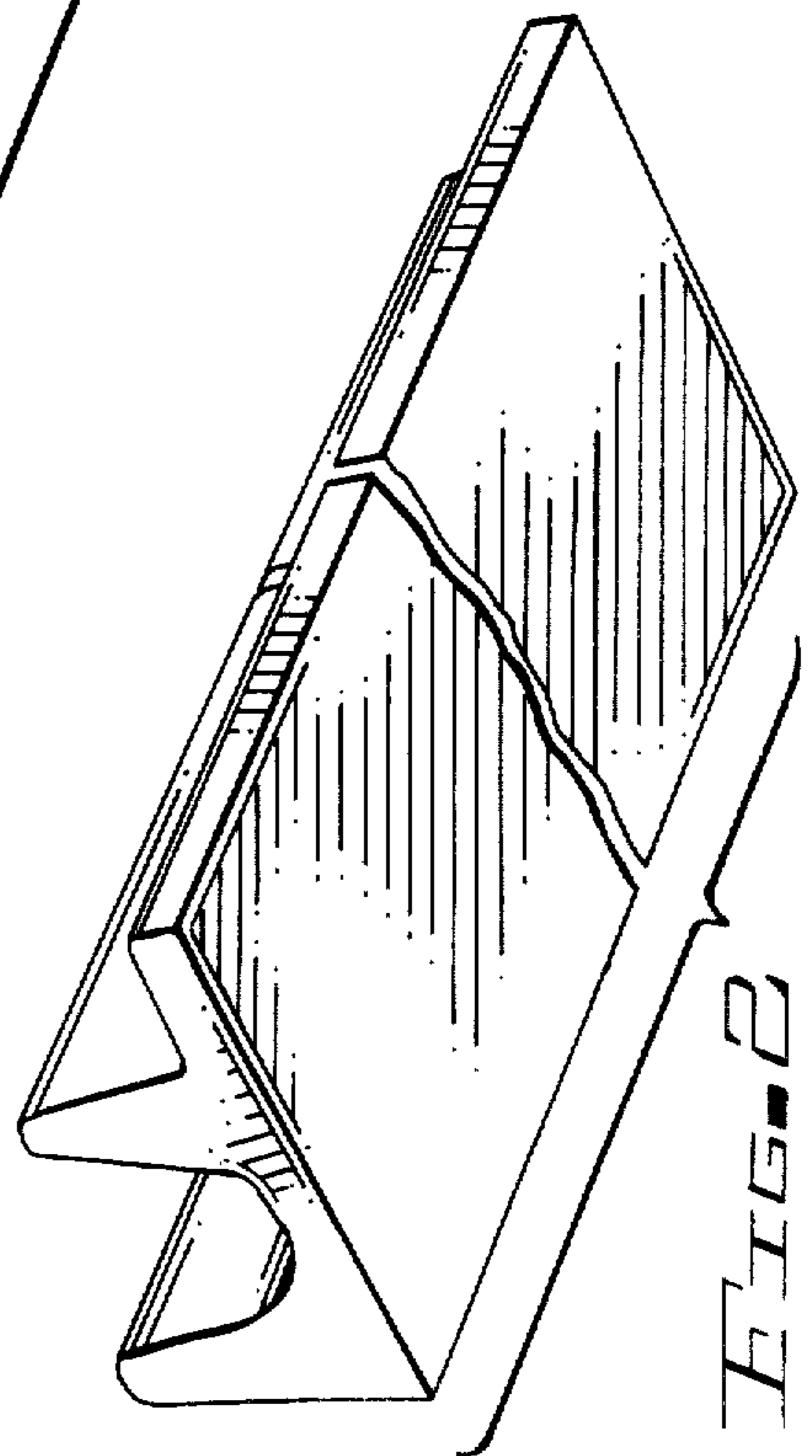


FIG. 2