

[54] **CATTLE FEED BUNKER**

[75] Inventors: **Richard E. Bunger; Roy J. Hancock,**  
both of Phoenix, Ariz.

[73] Assignee: **Corral Industries, Inc.,** Phoenix,  
Ariz.

[\*\*] Term: **14 Years**

[21] Appl. No.: **168,120**

[22] Filed: **Jul. 14, 1980**

[51] Int. Cl. .... **D30—03**

[52] U.S. Cl. .... **D30/13**

[58] Field of Search ..... **D30/1, 2, 13-18;**  
119/27, 28, 61

1,282,784 10/1918 Enholm ..... 119/61 X  
 1,294,366 2/1919 Louden ..... 119/61 X  
 1,457,850 6/1923 Neller ..... 119/27  
 1,459,535 6/1923 Hird ..... 119/61  
 2,221,046 11/1940 Gandrud ..... 119/27  
 2,310,200 2/1943 Callis ..... 119/61  
 3,911,869 10/1975 Lien ..... 119/61

*Primary Examiner*—James R. Largen  
*Attorney, Agent, or Firm*—Warren F. B. Lindsley

[57] **CLAIM**

The ornamental design for a cattle feed bunker, as shown and described.

**DESCRIPTION**

FIG. 1 is a perspective view taken from the top, front and right side of a cattle feed bunker showing our new design;

FIG. 2 is a perspective view taken from the bottom, front and left side thereof; and

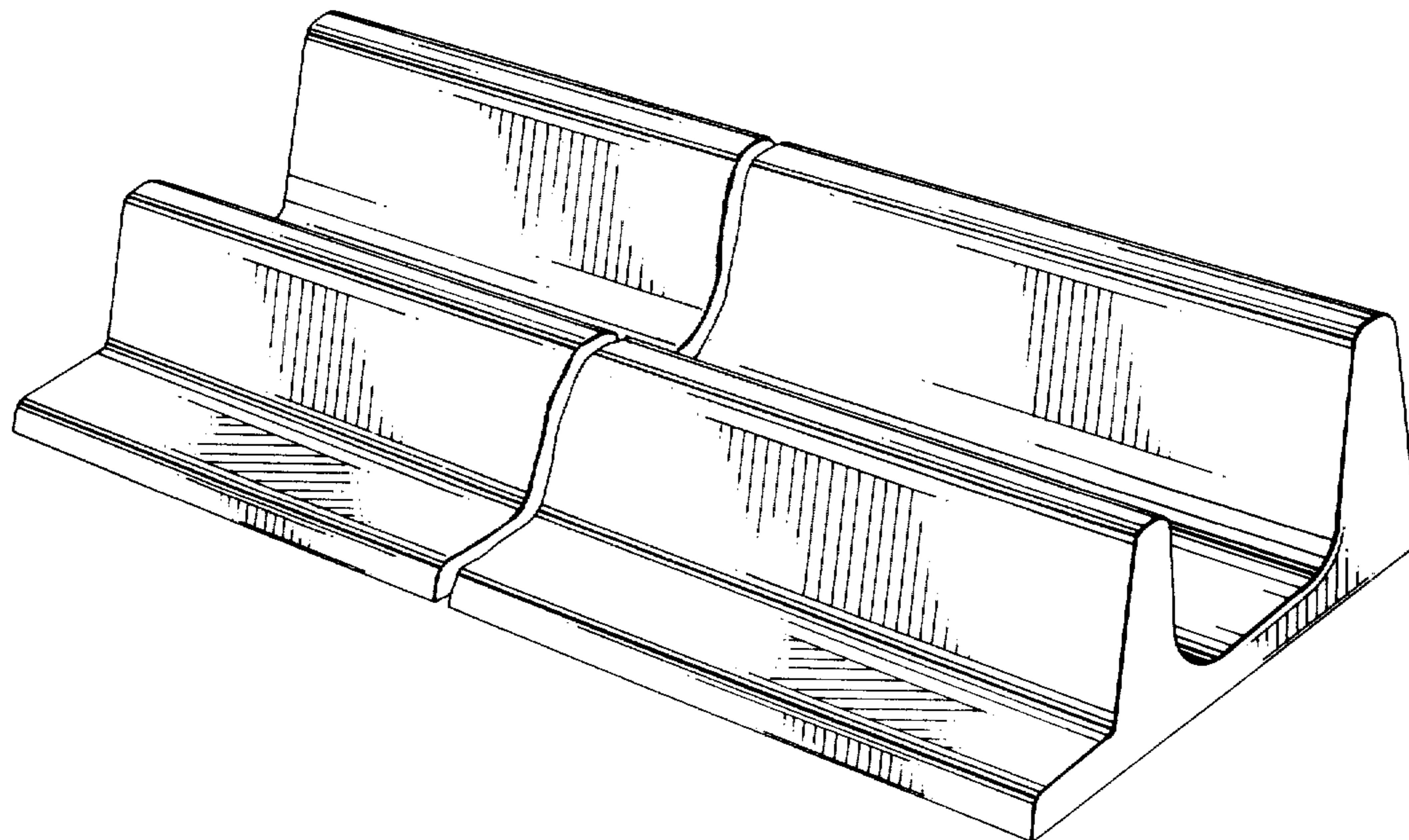
FIG. 3 is a rear elevational view thereof.

The cattle feed bunker has been broken away in FIGS. 1, 2 and 3 to indicate indeterminate length.

[56] **References Cited**

**U.S. PATENT DOCUMENTS**

D. 177,476 4/1956 Ludi ..... D30/13  
 194,485 8/1877 Van Riper ..... 119/61  
 D. 236,511 8/1975 Bunger ..... D30/13  
 695,687 3/1902 Huxley ..... 119/61 X



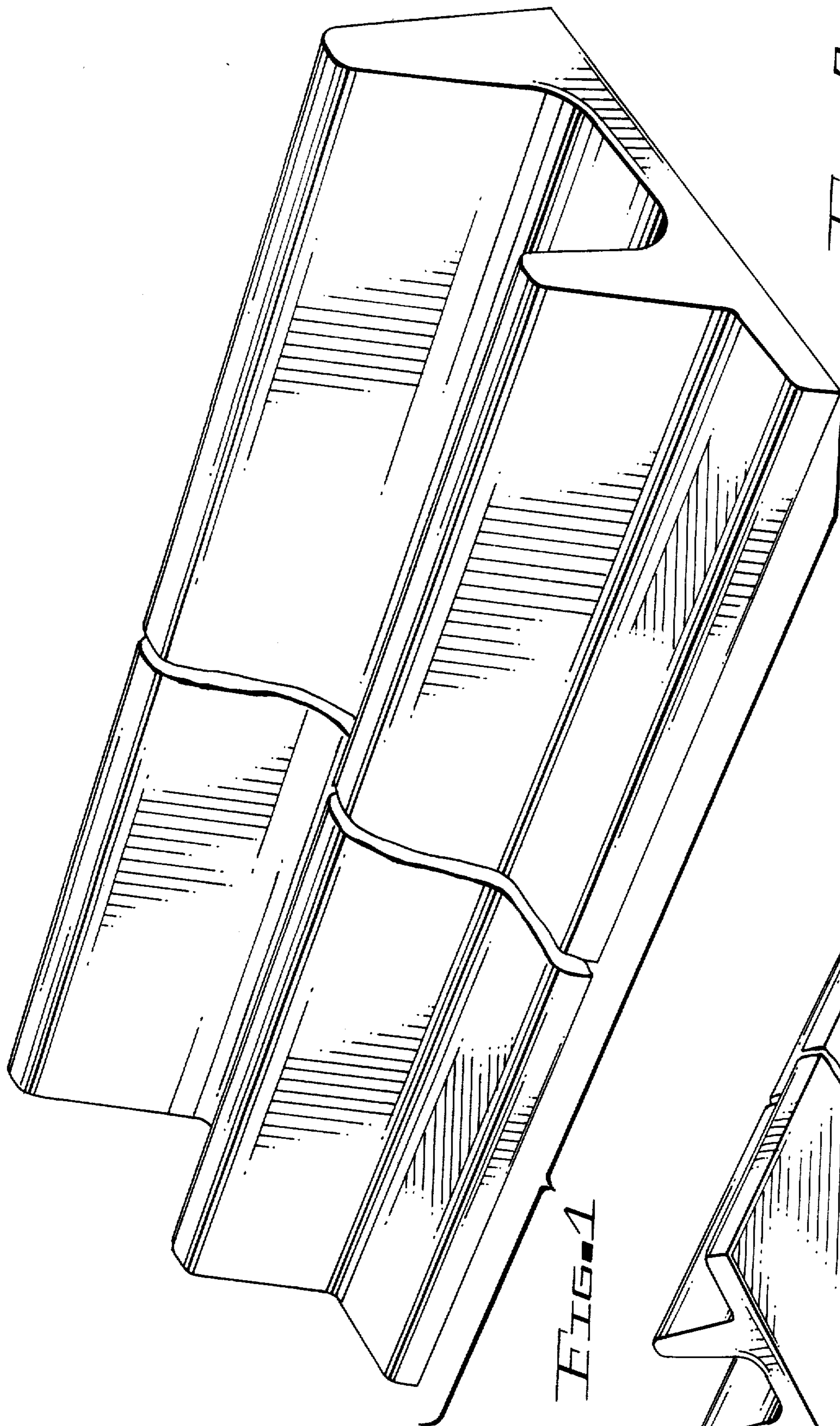


FIG. 1

FIG. 3

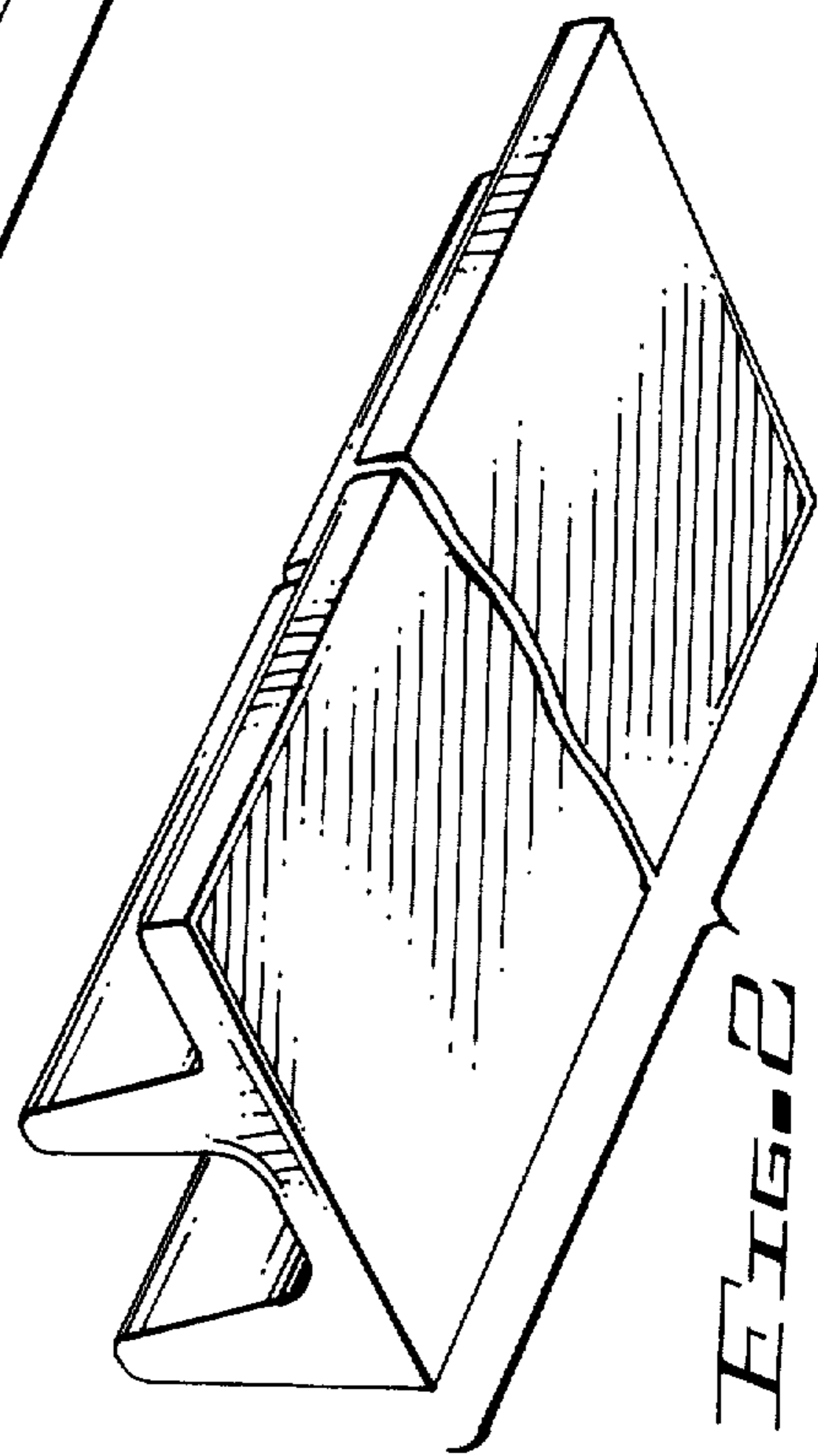
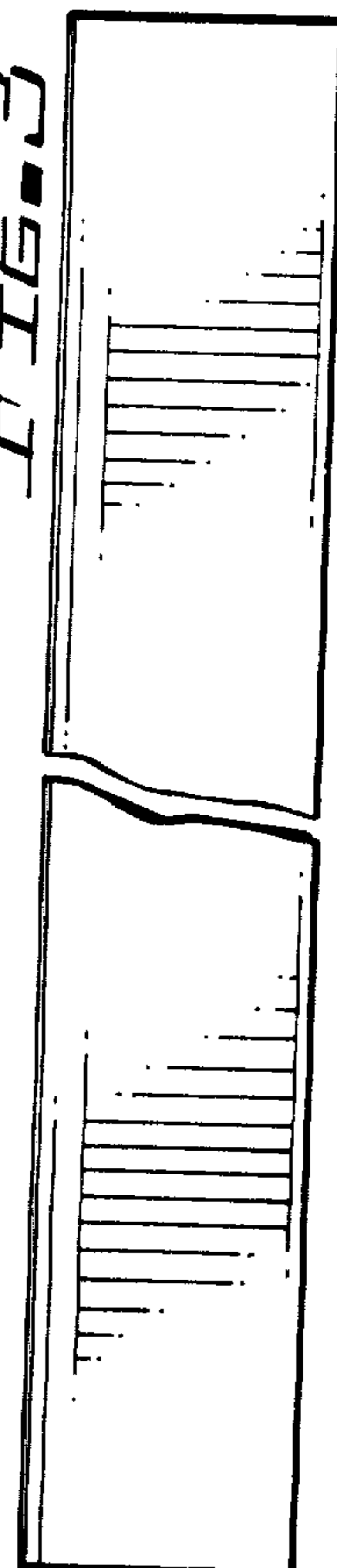


FIG. 2