

[54] HEADLIGHT BEZEL FOR MOTORCYCLE FAIRING

[75] Inventors: David S. McNaughton, Morro Bay; Stephen C. Bern; Kenneth W. Cummings, both of San Luis Obispo; Charles M. Perethian, Arroyo Grande, all of Calif.

[73] Assignee: First Champaign Corporation, Rantoul, Ill.

[**] Term: 14 Years

[21] Appl. No.: 149,298

[22] Filed: May 12, 1980

[51] Int. Cl. D26-06; D12-11

[52] U.S. Cl. D26/139; D12/182

[58] Field of Search D26/28, 139; 362/61, 362/72; 296/78.1; 280/289 S; D12/182

[56] References Cited

U.S. PATENT DOCUMENTS

D. 249,740	9/1978	Vetter	D26/28
3,922,031	11/1975	Hugon	362/72
4,121,278	10/1978	Doll	362/72
4,135,758	1/1979	Clements	296/78.1

OTHER PUBLICATIONS

Cycle World, 10-1978, pp. 64, 65, Bezel-BMW Bike Fairing.

Primary Examiner—Susan J. Lucas
Attorney, Agent, or Firm—Wegner, McCord, Wood & Dalton

[57] CLAIM

The ornamental design for a headlight bezel for motorcycle fairing, substantially as shown and described.

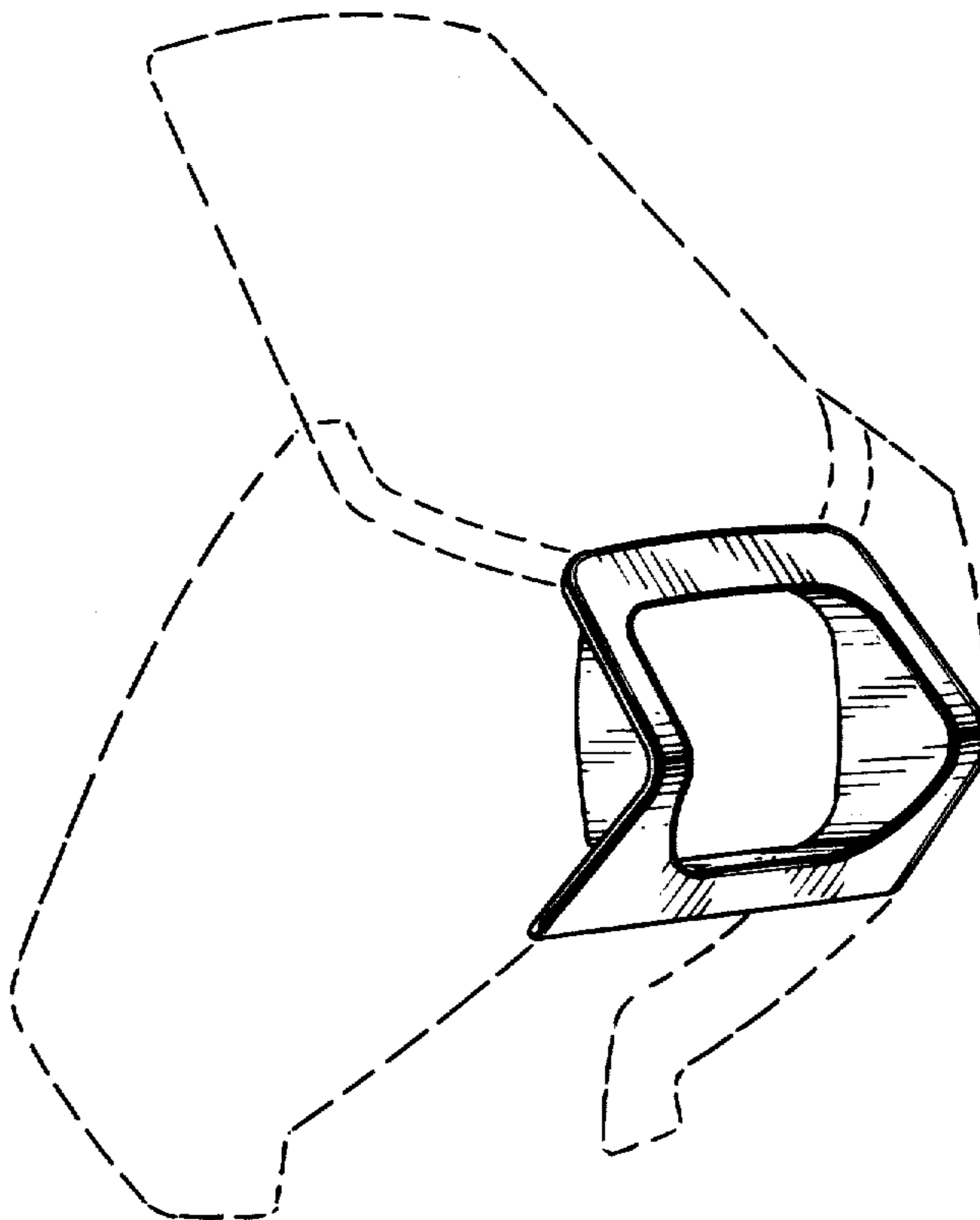
DESCRIPTION

FIG. 1 is a left front perspective view of a headlight bezel for motorcycle fairing showing the new design; FIG. 2 is a right side elevational view thereof on an enlarged scale;

FIG. 3 is a top plan view thereof on an enlarged scale; FIG. 4 is a front elevational view thereof on an enlarged scale;

FIG. 5 is a rear elevational view thereof on an enlarged scale.

The fragmentary broken line representation of a portion of a motorcycle fairing shown in FIG. 1 illustrates the environment in which the fairing is used but forms no part of the design. The left side of the mask is a mirror image of FIG. 2.



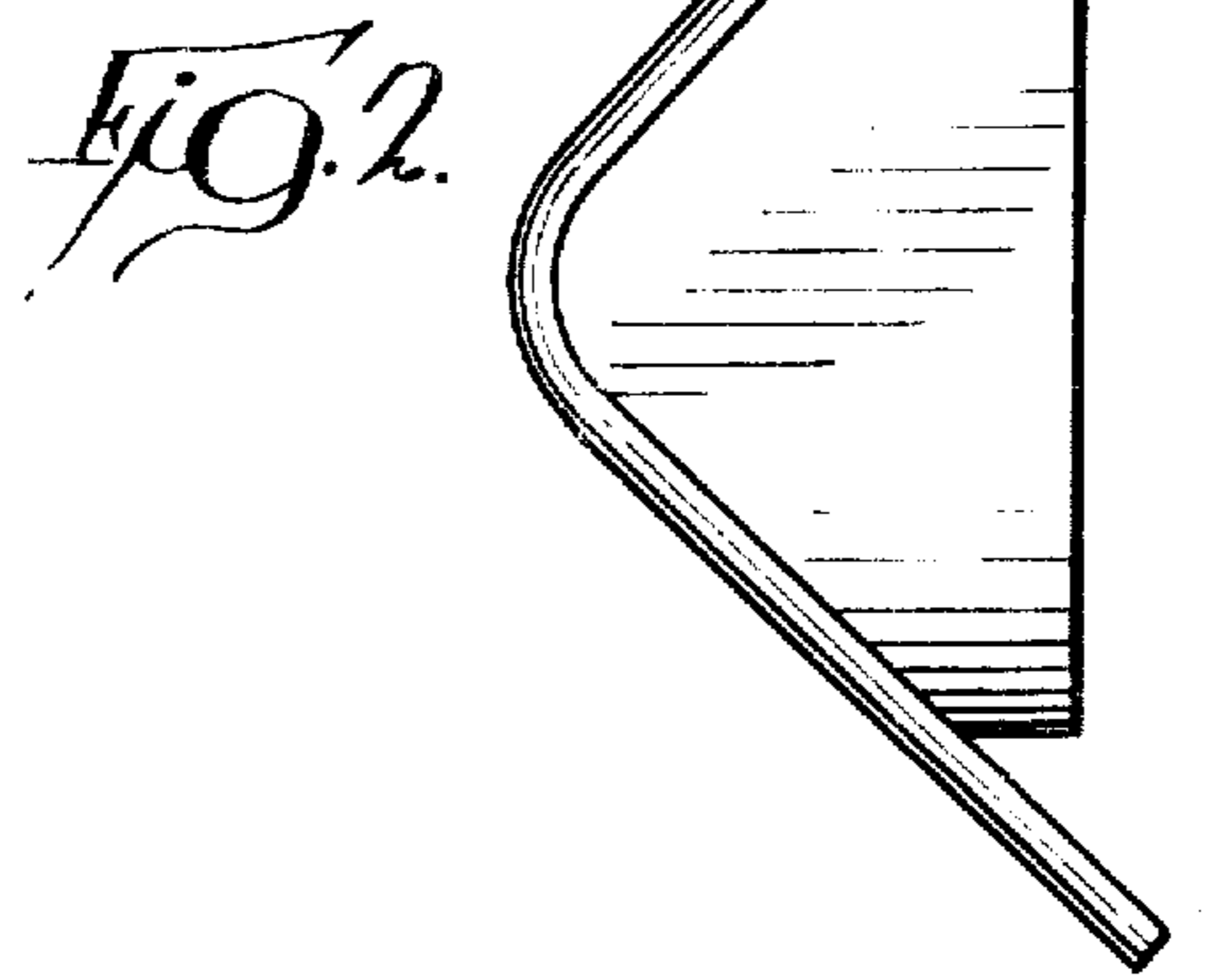
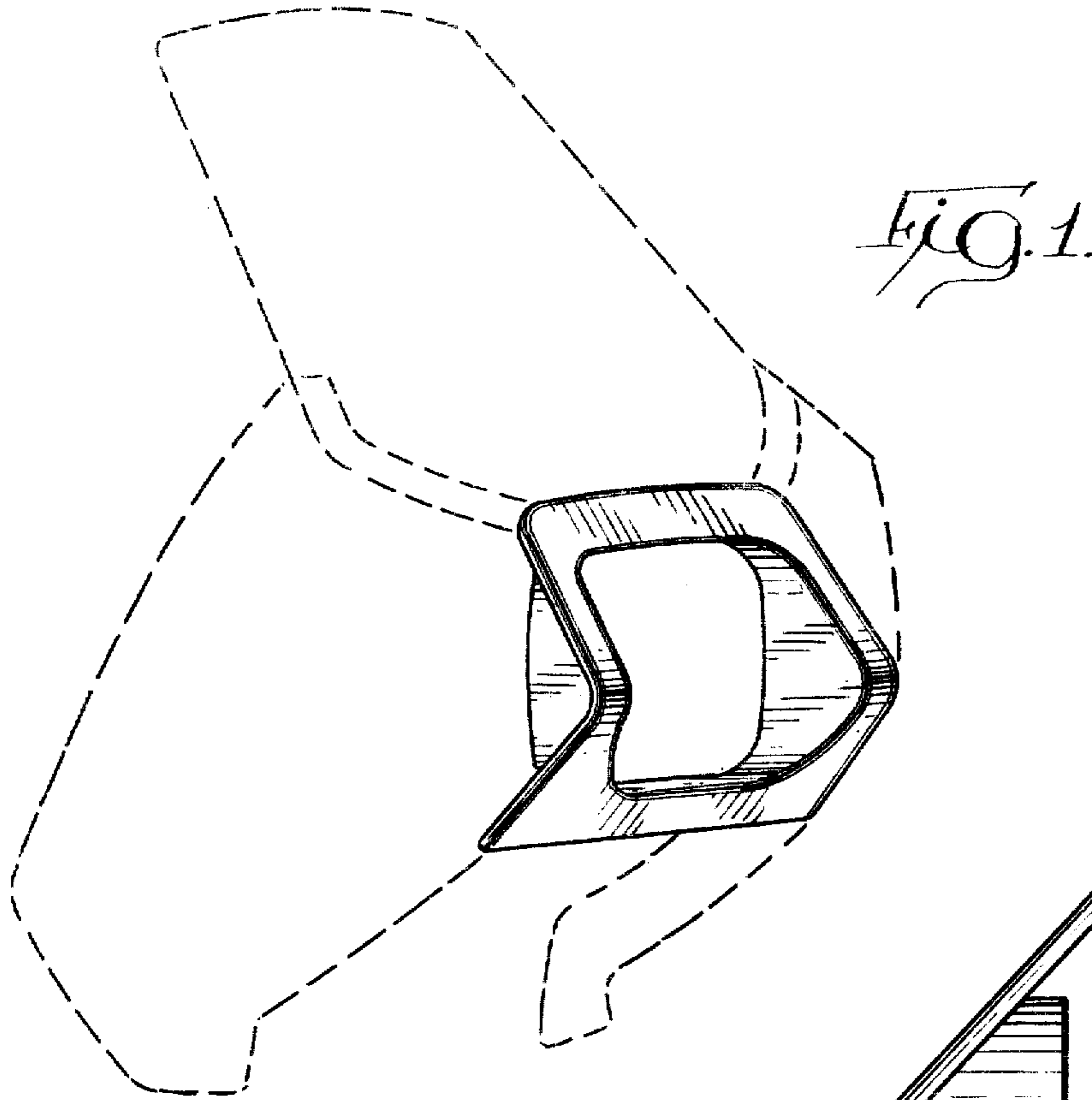


FIG. 3.

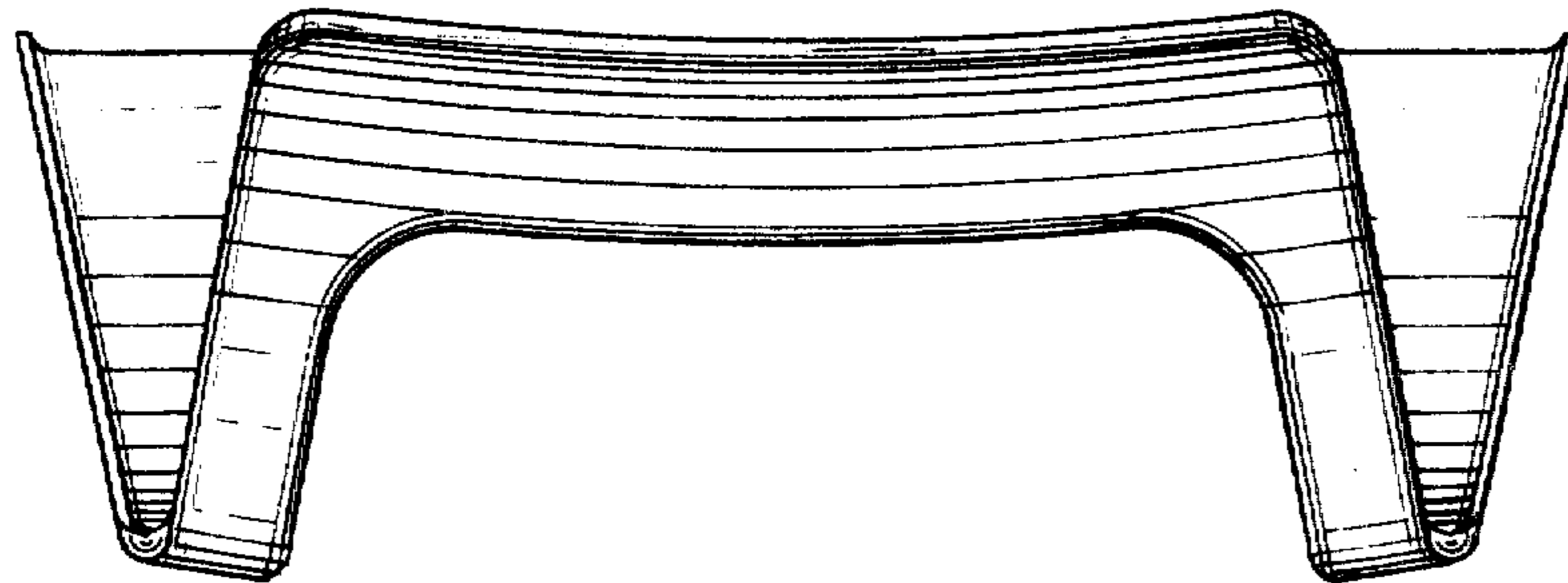


FIG. 4.

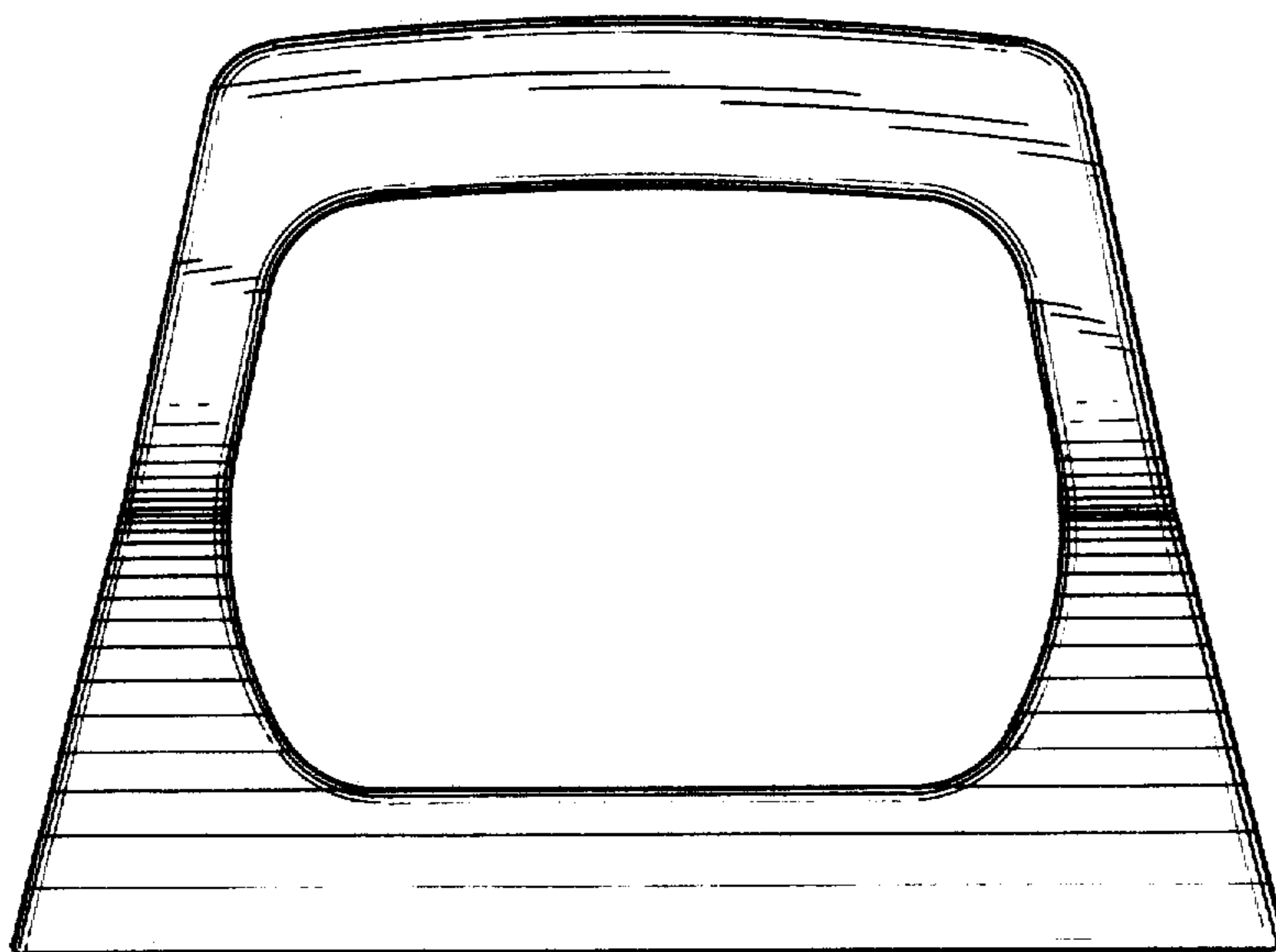


FIG. 5.

