

[54] SWIMMING POOL LADDER

[76] Inventors: James W. Darby, 2117 Smith; David L. Darby, 501 Brickyard Rd., both of Danville, Ill. 61832

[\*\*] Term: 14 Years

[21] Appl. No.: 171,749

[22] Filed: Jul. 24, 1980

[51] Int. Cl. .... D25-02  
[52] U.S. Cl. .... D25/64; D25/63  
[58] Field of Search ..... D25/2, 64; 4/496, 504, 4/506, 511, 513; 52/169 R

[56] References Cited

U.S. PATENT DOCUMENTS

D. 233,750 11/1974 Bryan ..... D25/63  
1,193,862 8/1916 Booraem ..... 4/511  
3,975,874 8/1976 Witte et al. .... D25/2 X

FOREIGN PATENT DOCUMENTS

50744 5/1966 German Democratic Rep. .... 4/511

OTHER PUBLICATIONS

Sweet's Architectural Catalog File, 1978, 13.22/Wh, p. 7, step assemblies at lower left.

Primary Examiner—A. Hugo Word  
Attorney, Agent, or Firm—Gifford, VanOphem, Sheridan & Sprinkle

[57] CLAIM

The ornamental design for a swimming pool ladder, substantially as shown.

DESCRIPTION

FIG. 1 is a front perspective view of the pool ladder of our new design;  
FIG. 2 is a front elevational view of the pool ladder as shown in FIG. 1;  
FIG. 3 is a rear perspective view of the pool ladder shown in FIG. 1;  
FIG. 4 is an elevational view as seen from the left side of FIG. 2;  
FIG. 5 is an elevational view as seen from the right side of FIG. 2;  
FIG. 6 is a top elevational view of the pool ladder of our new design;  
FIG. 7 is a bottom elevational view of the pool ladder of our new design; and  
FIG. 8 is a left elevational view of the pool ladder of our new design.

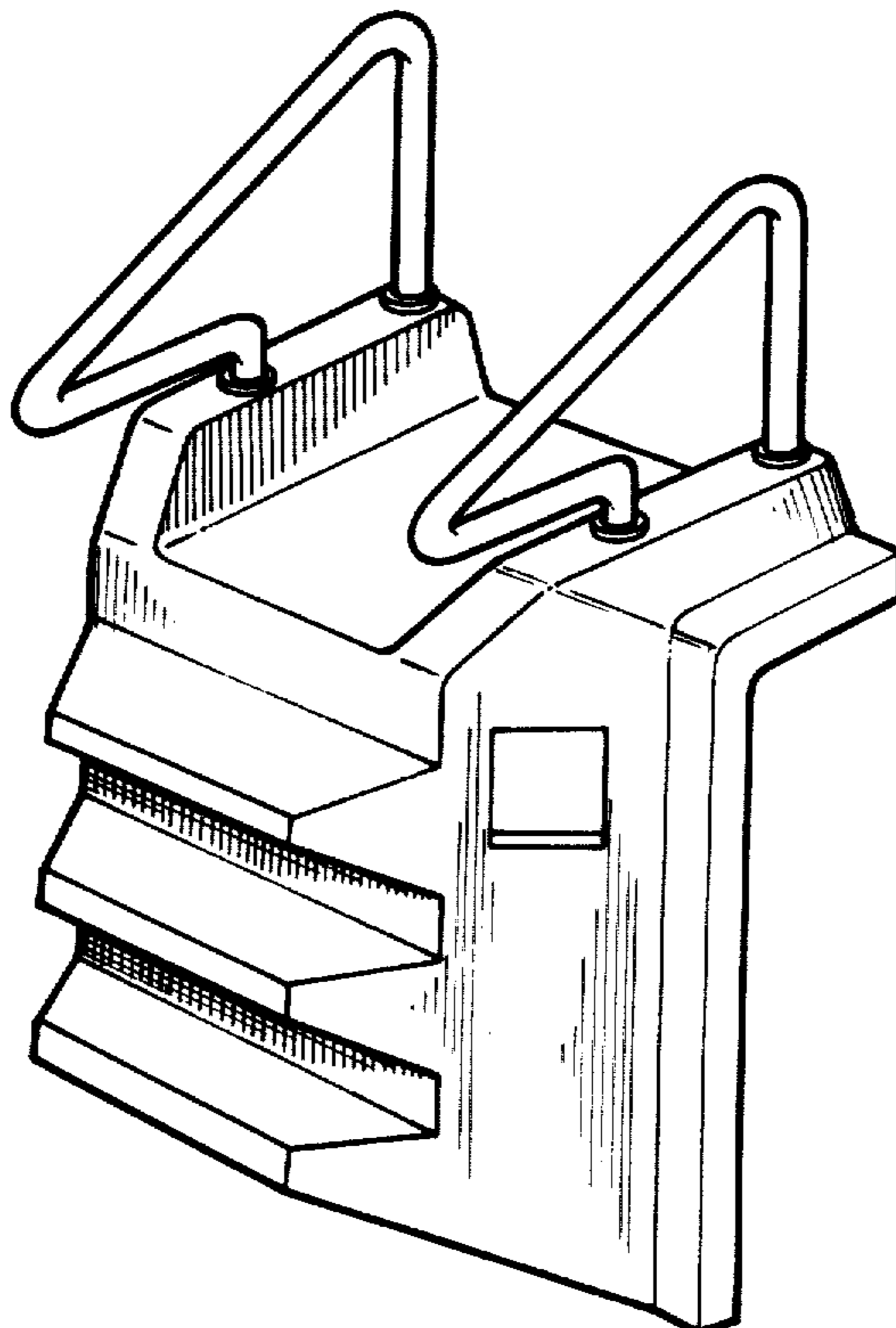


Fig-1

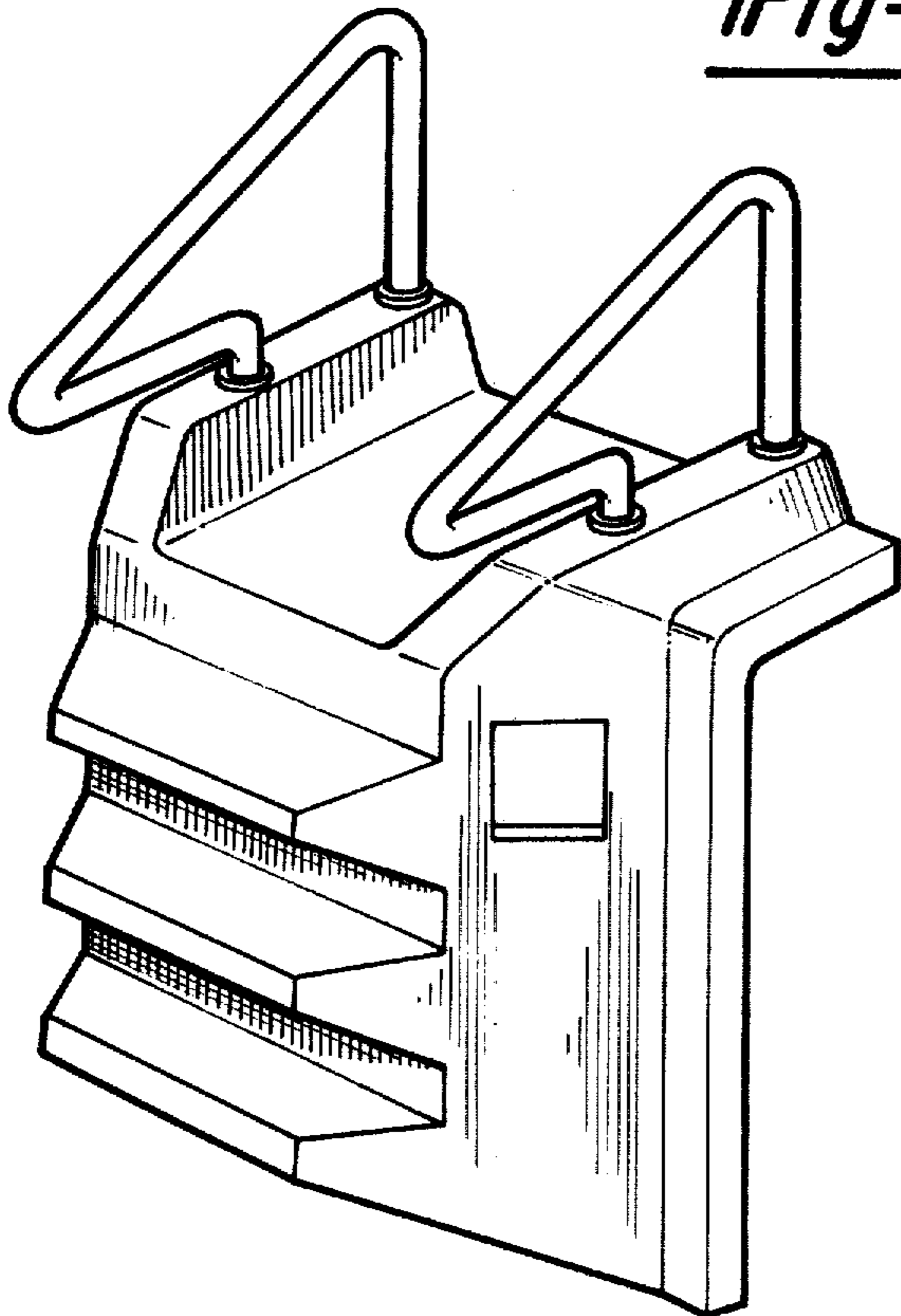


Fig-2

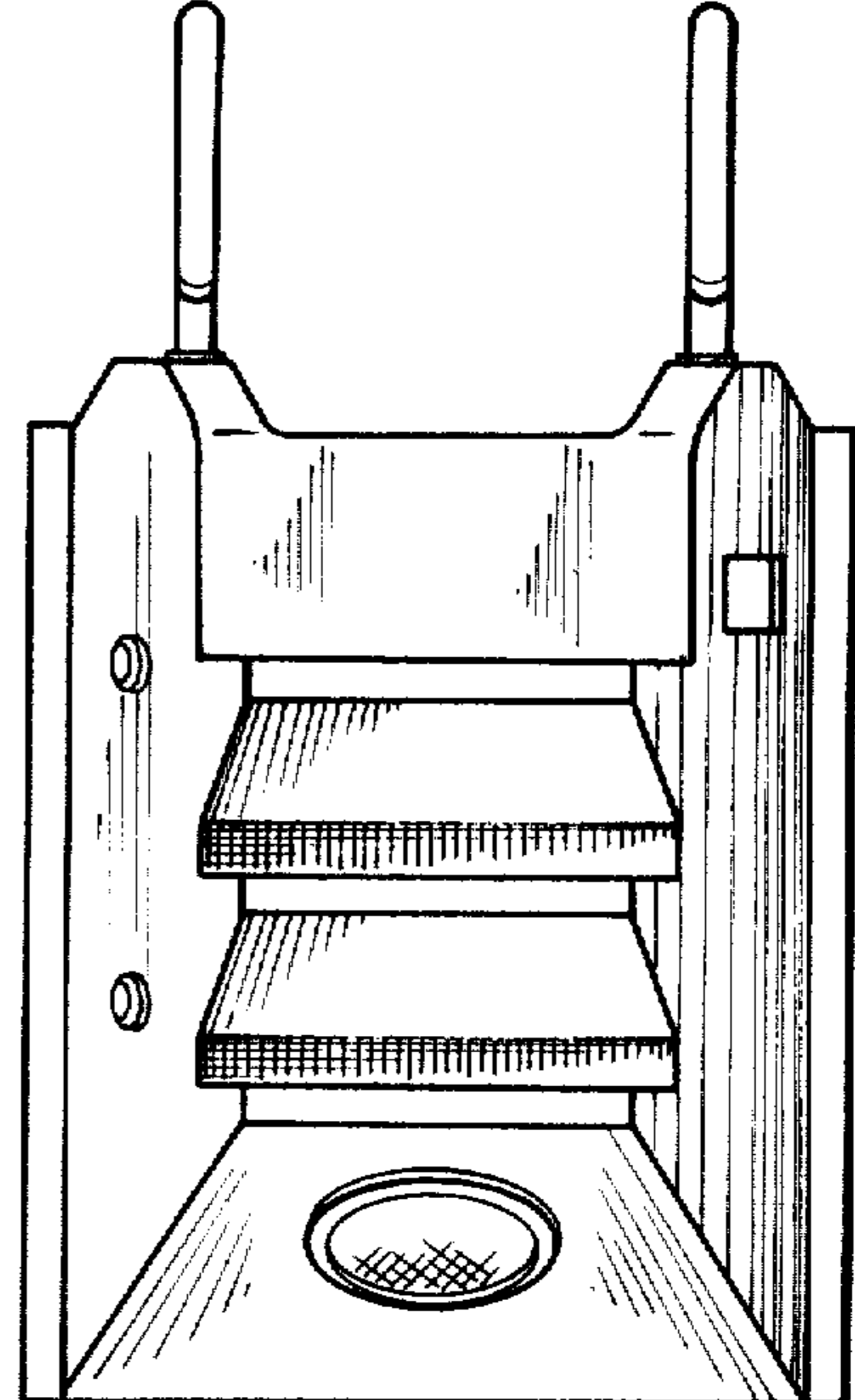


Fig-3

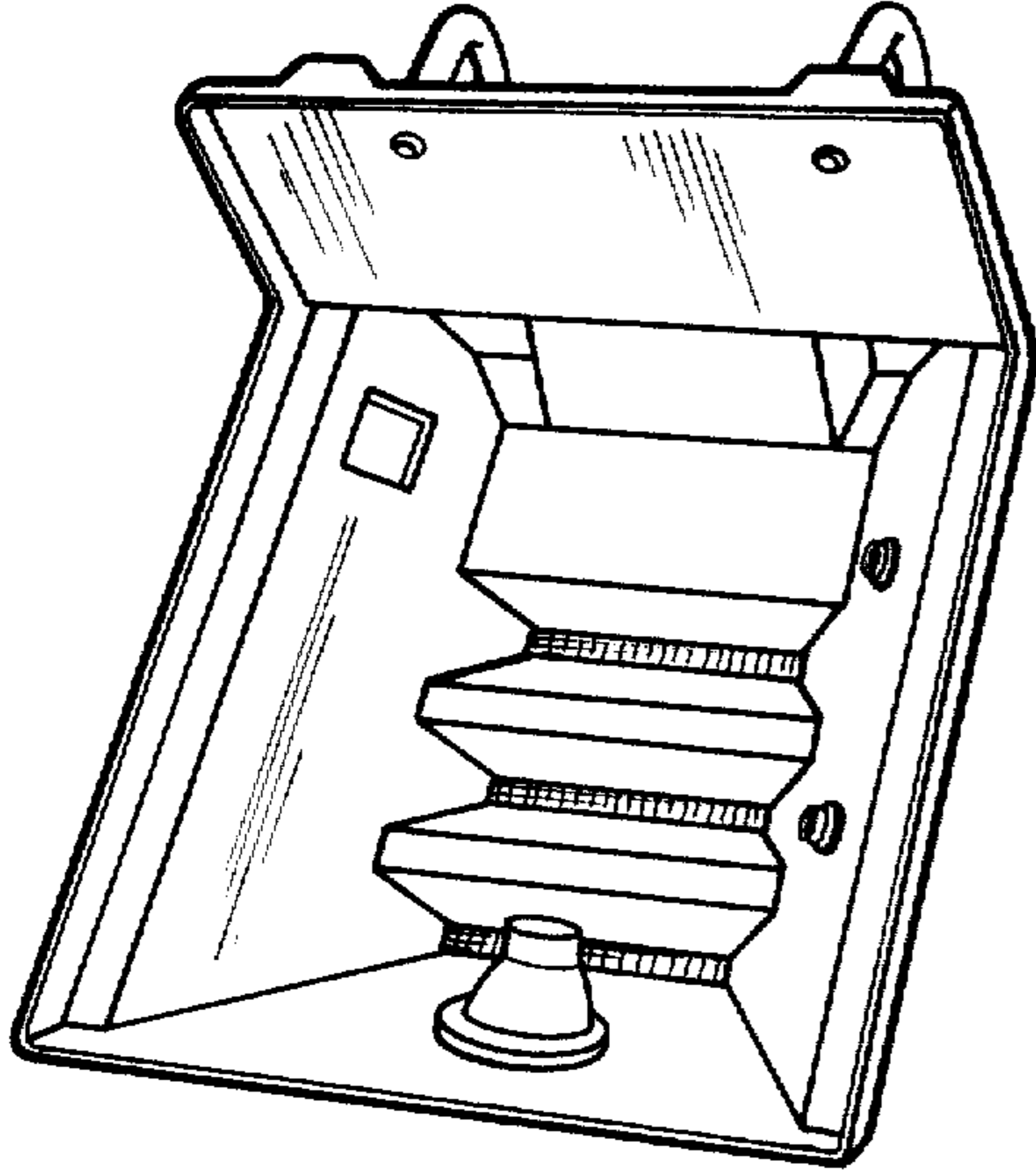
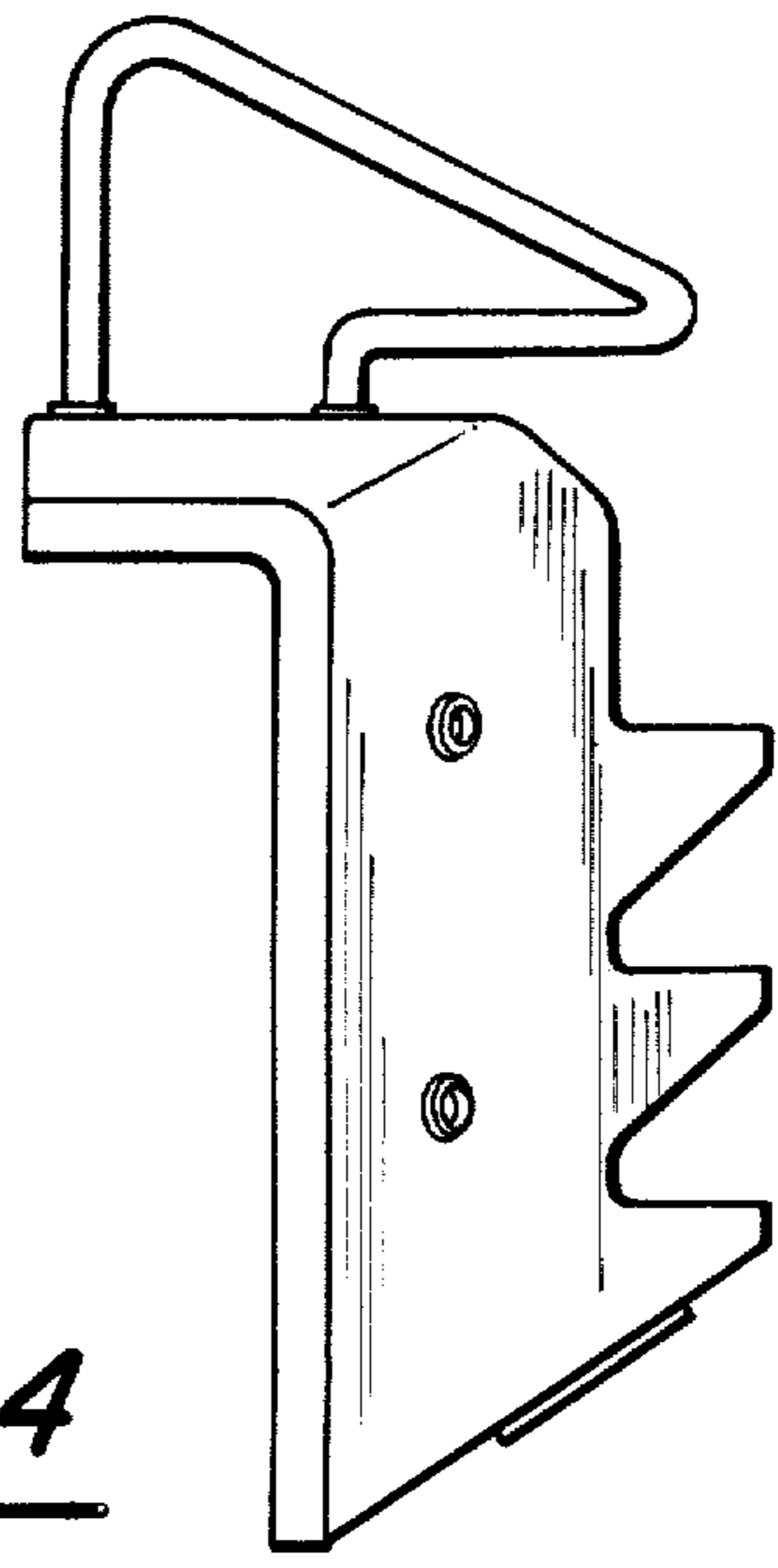


Fig-4



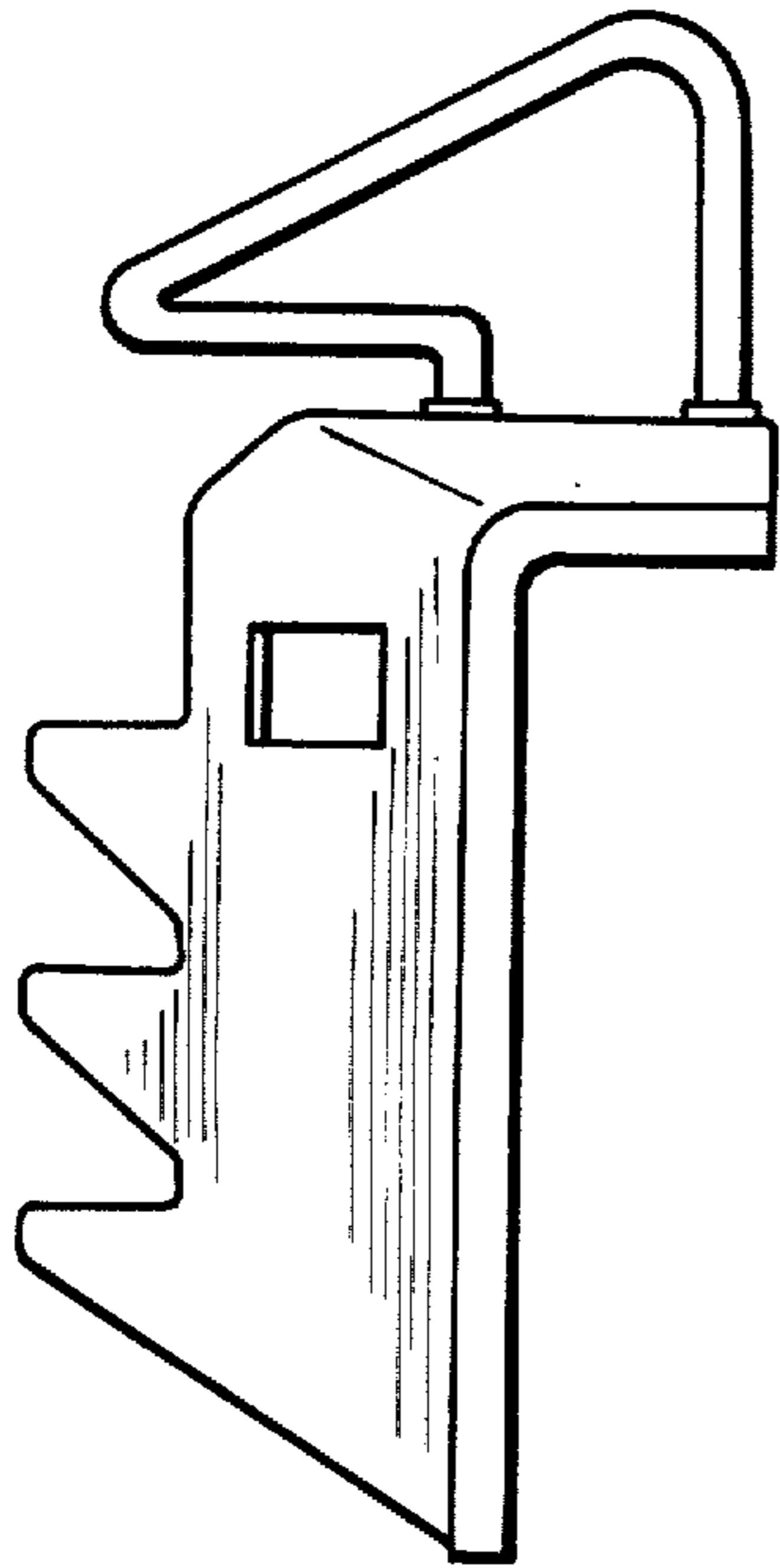


Fig-5

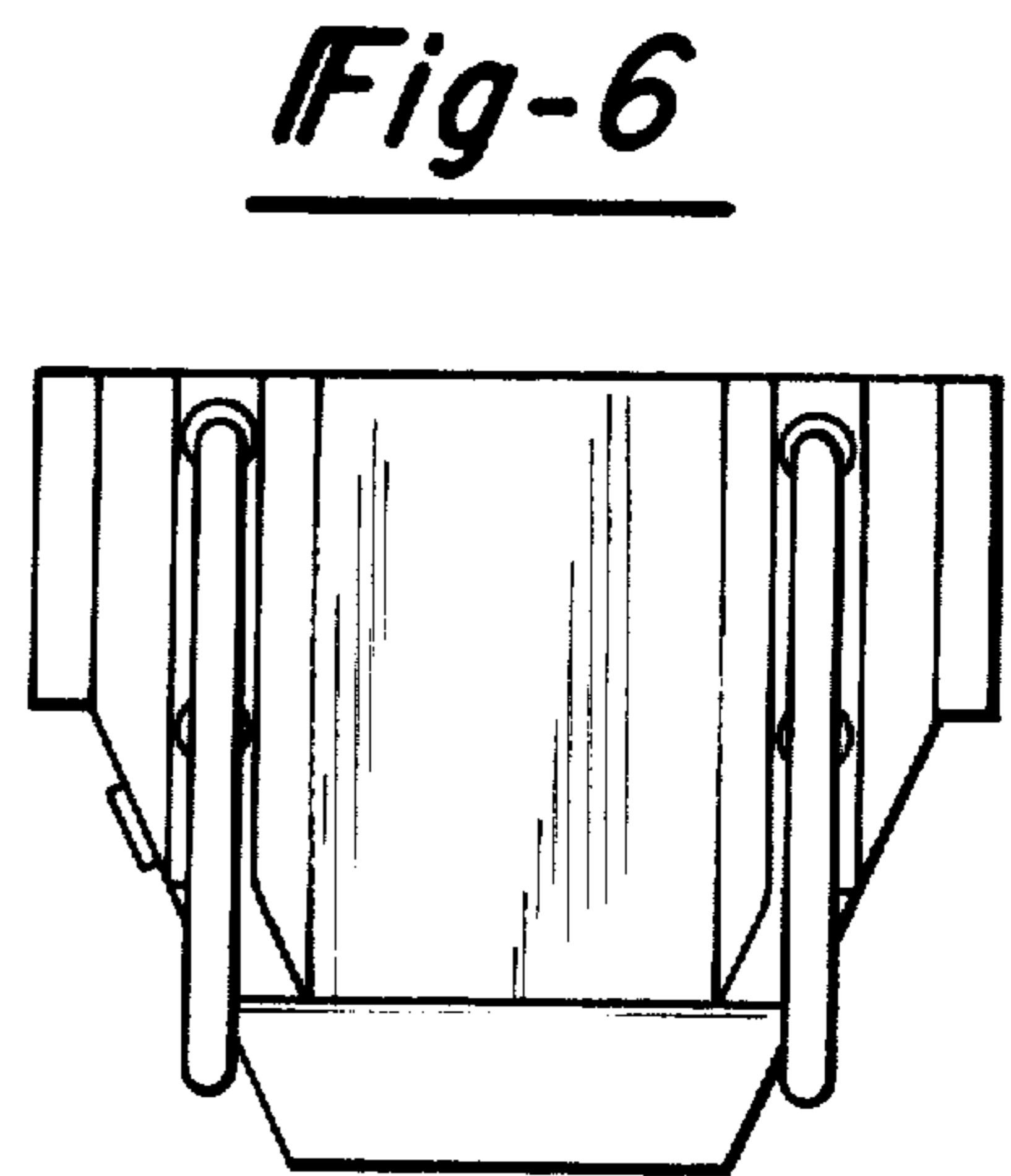


Fig-6

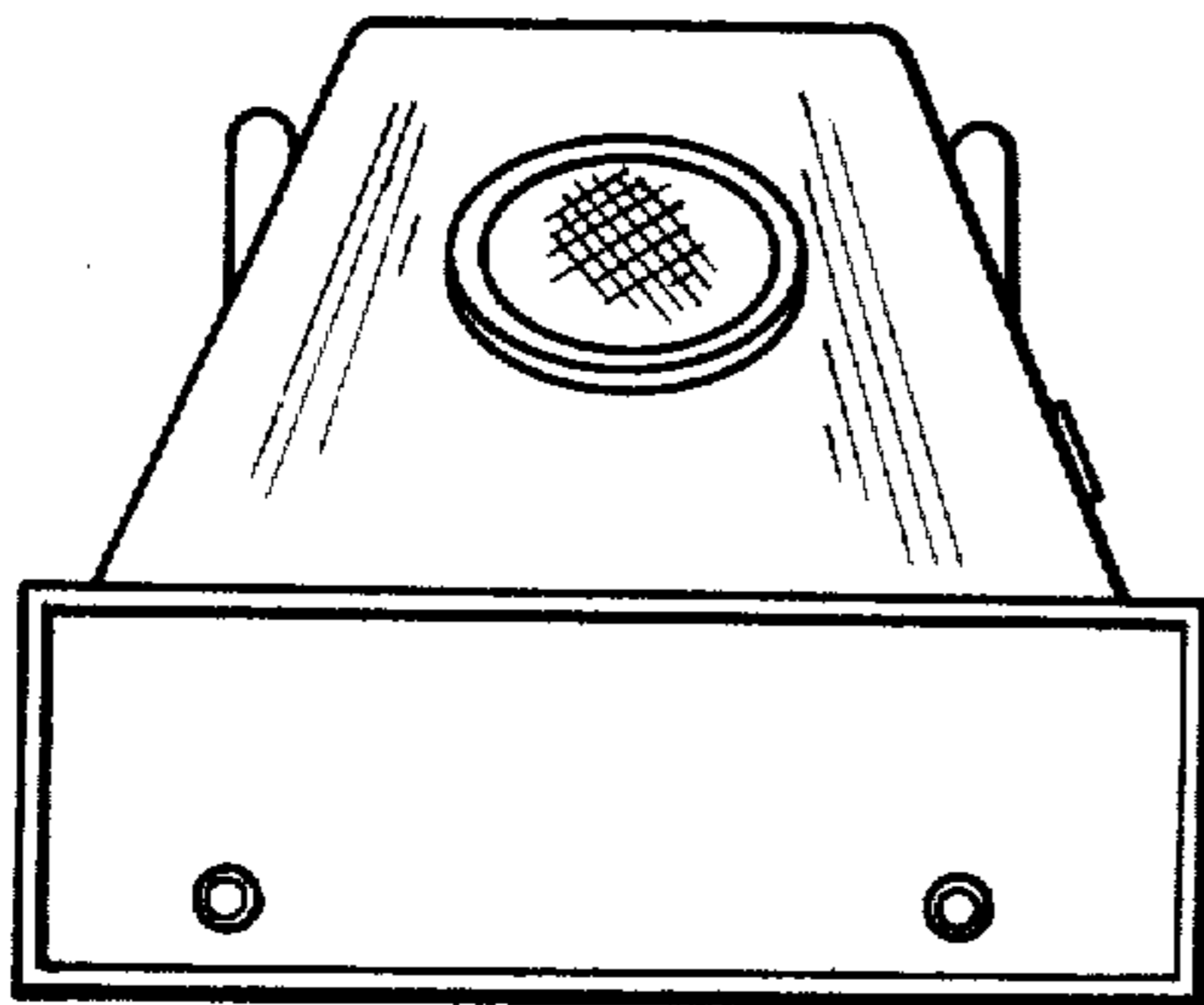


Fig-7

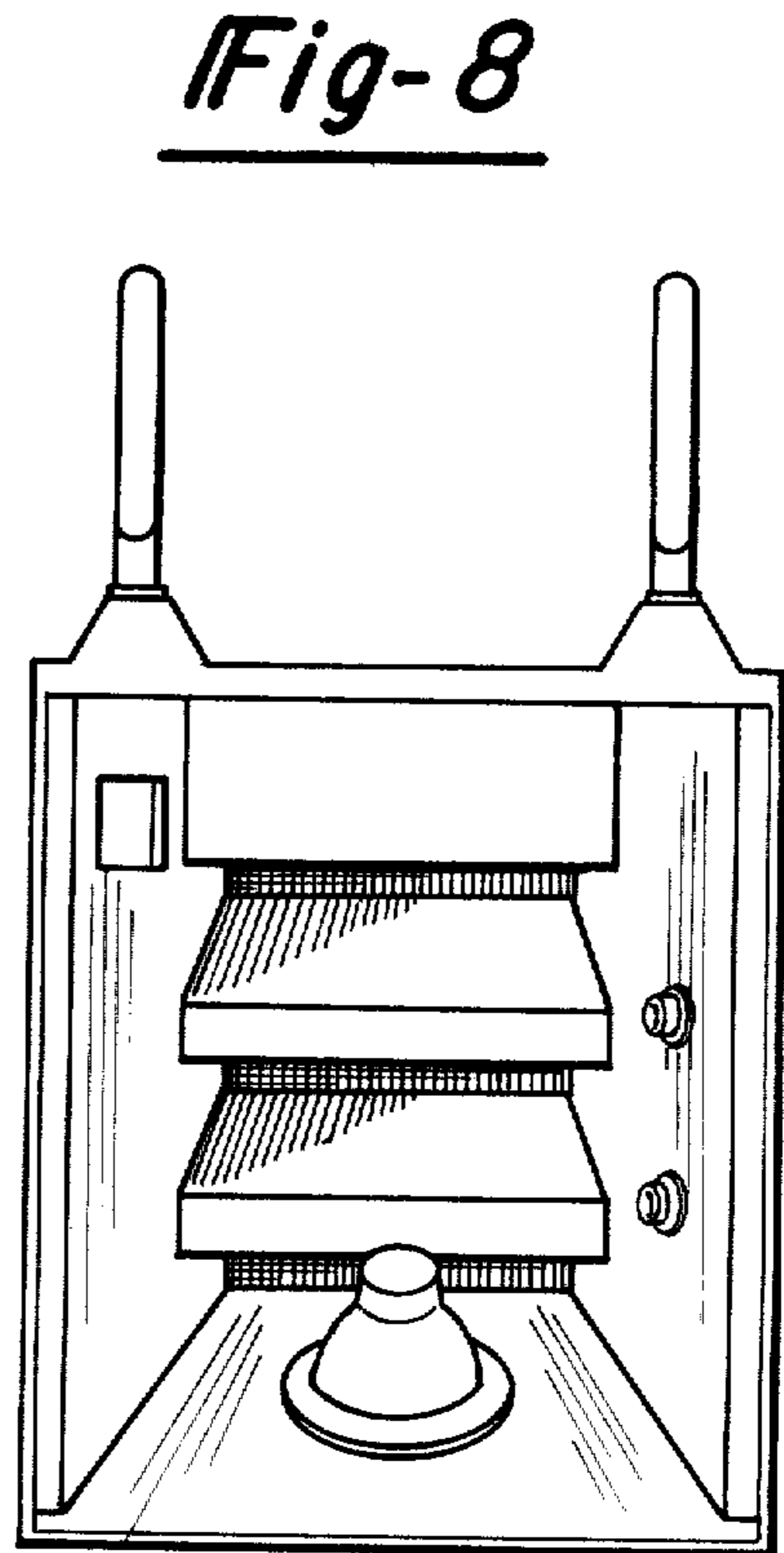


Fig-8