

[54] FITTING ASSEMBLY FOR GUIDING AND RESTRAINING A PROBE IN A CATHETER

[75] Inventor: Kenneth Halvorsen, Huntington Beach, Calif.

[73] Assignee: Medical Testing Systems, Inc., Fountain Valley, Calif.

[\*\*] Term: 14 Years

[21] Appl. No.: 137,726

[22] Filed: Apr. 7, 1980

[51] Int. Cl. .... D24-02

[52] U.S. Cl. .... 24/54; D24/52

[58] Field of Search .... 128/347, 214.4, 221, 128/214 G, 348, 349 R, 349 BV; D24/52-54; D23/4

[56] References Cited

U.S. PATENT DOCUMENTS

D. 220,555	4/1971	Reiterman	.....	D24/52
D. 252,470	7/1979	Pawlak	.....	D24/54
D. 256,617	8/1980	Clemens	.....	D24/54
3,399,674	9/1968	Pannier et al.	.....	D24/54 X
3,856,020	12/1974	Kovac	.....	128/347
4,159,022	6/1979	Pevsner	.....	128/348

Primary Examiner—Bernard Ansher

Attorney, Agent, or Firm—Edward H. Loveman

[57] CLAIM

The ornamental design for a fitting assembly for guiding and restraining a probe in a catheter, substantially as shown and described.

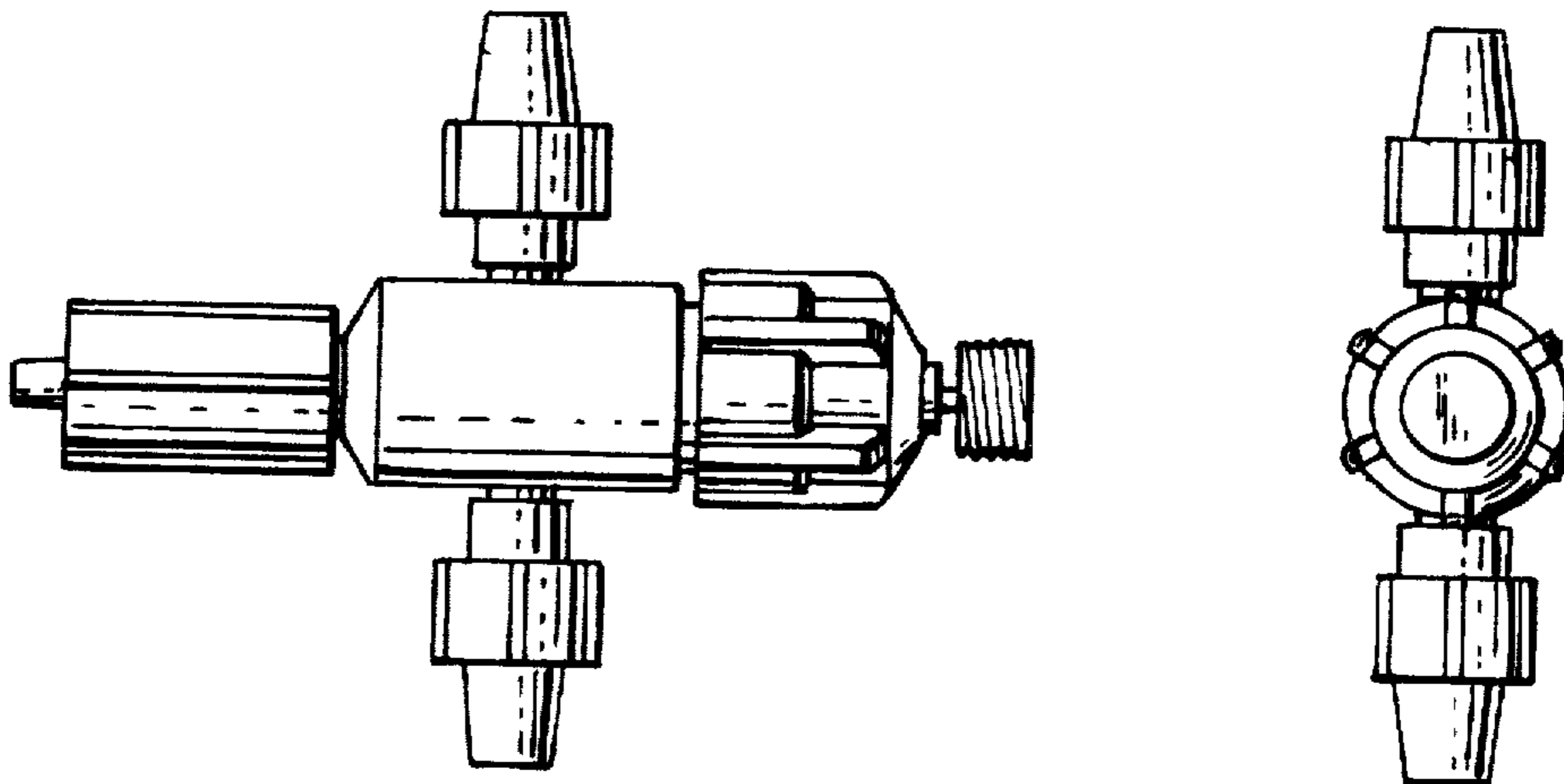
DESCRIPTION

FIG. 1 is a front elevational view of a fitting assembly for guiding and restraining a probe in a catheter showing my new design;

FIG. 2 is a top plan view thereof;

FIG. 3 is a right side elevational view thereof; and

FIG. 4 is a left side elevational view thereof.



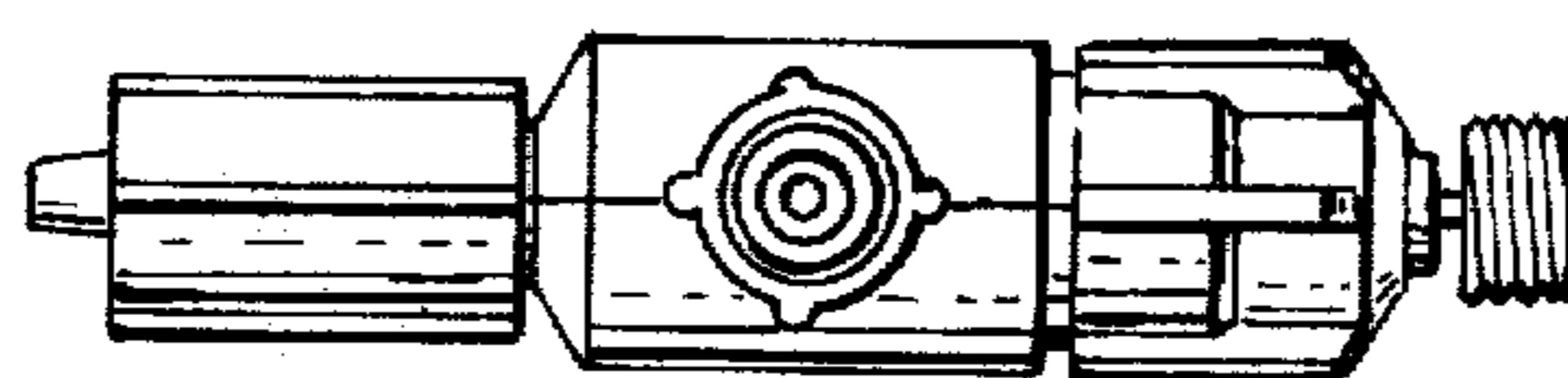


Fig. 2

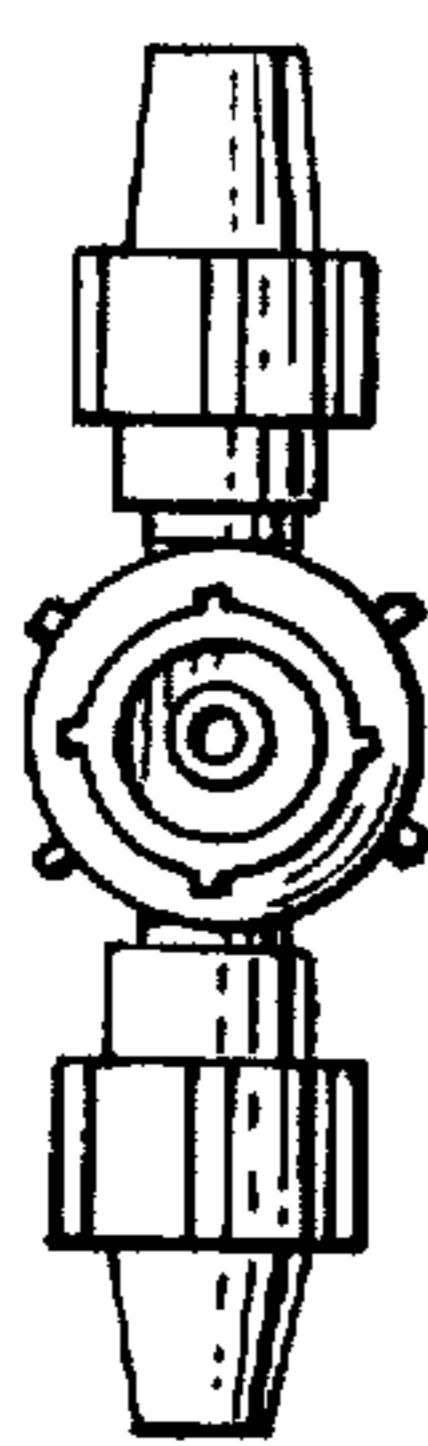


Fig. 4

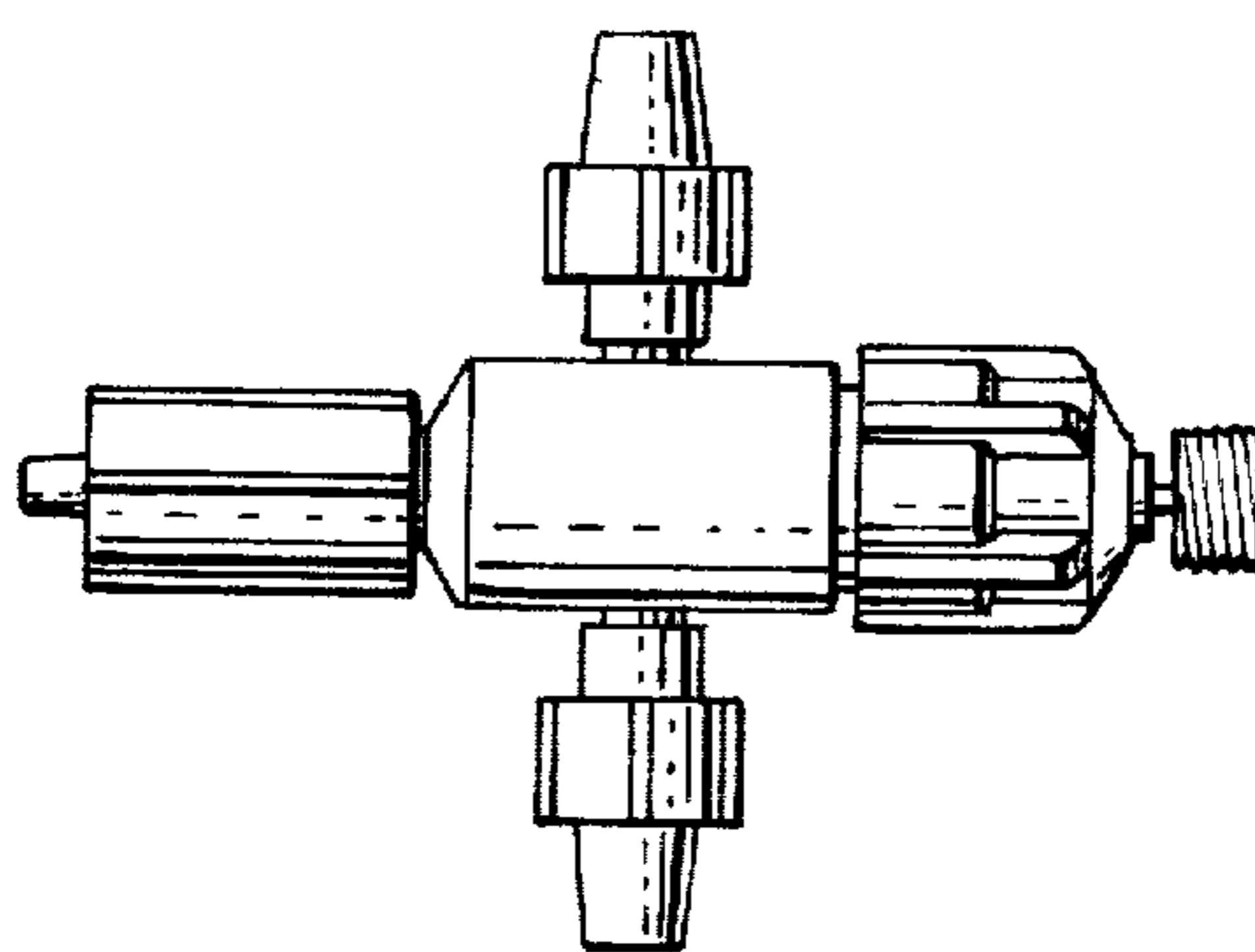


Fig. 1

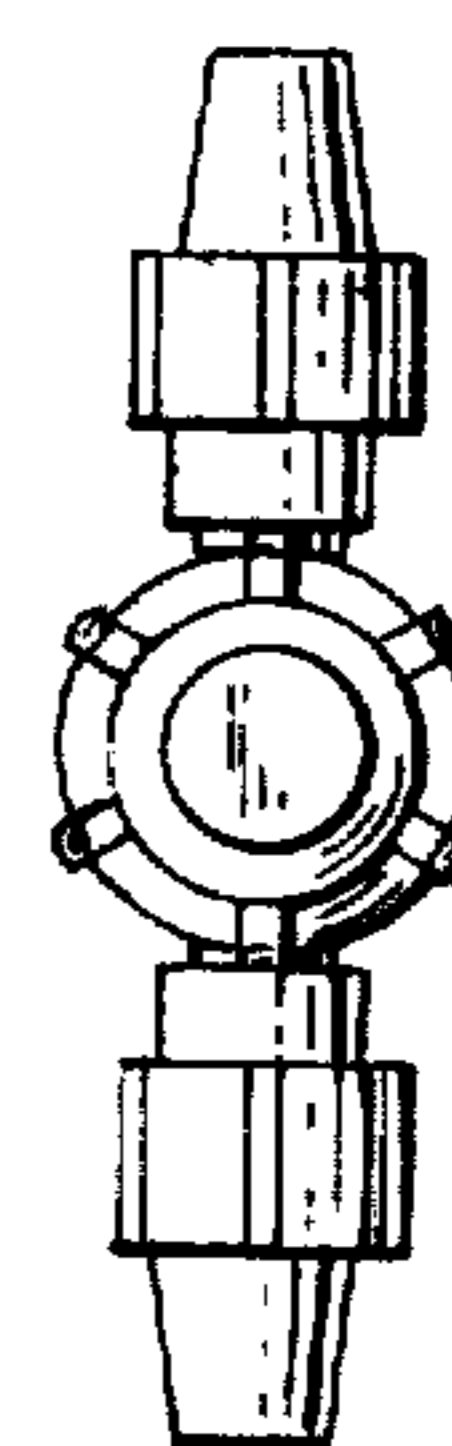


Fig. 3