

[54] POST OPERATIVE KNEE ORTHOSIS

[76] Inventor: Paul P. Grigorieff, 233 Calle de la Selva, Novato, Calif. 94947

[**] Term: 14 Years

[21] Appl. No.: 104,141

[22] Filed: Dec. 17, 1979

[51] Int. Cl. D24-99

[52] U.S. Cl. D24/49; D24/64

[58] Field of Search D24/49, 64; 128/80 C, 128/87 R, 88

[56] References Cited

U.S. PATENT DOCUMENTS

D. 239,211	3/1976	Bednarczlik	D24/49
3,055,359	9/1962	Palmer	128/88
3,669,105	6/1972	Castiglia	128/80 C
3,898,697	8/1975	Whitehead	128/80 C
4,256,097	3/1981	Willis	128/80 C

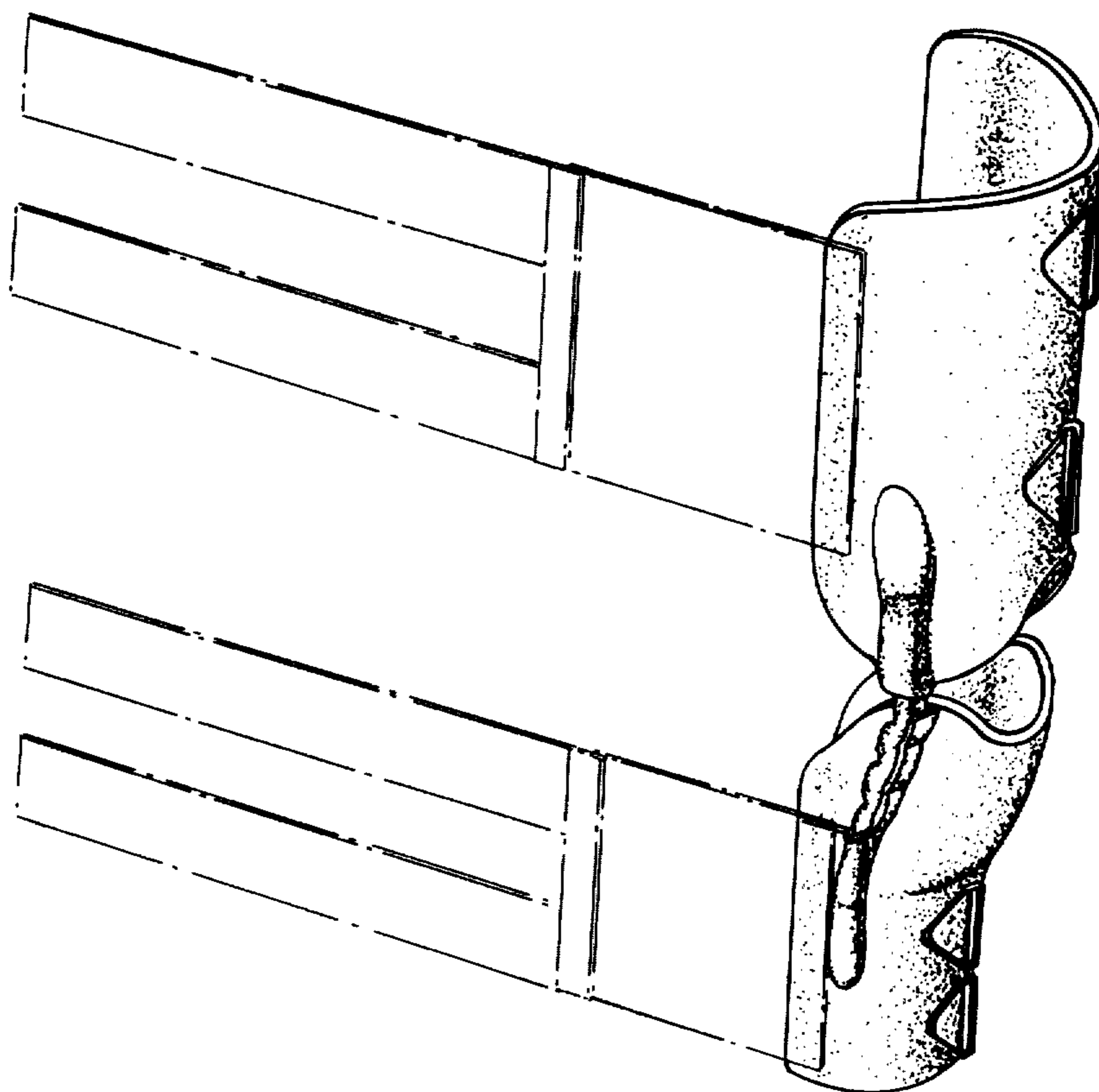
Primary Examiner—T. Tung
Attorney, Agent, or Firm—Harris Zimmerman

[57] CLAIM

The ornamental design for a post operative knee orthosis, substantially as shown and described.

DESCRIPTION

FIG. 1 is a perspective view of a post operative knee orthosis showing my new design. The phantom line represents straps for securing the orthosis to the leg of the wearer, and do not form part of the claimed design. FIG. 2 is a front elevational view; FIG. 3 is a right side elevational view; FIG. 4 is a rear elevational view; FIG. 5 is a top plan view; FIG. 6 is a bottom plan view; and FIG. 7 is a left side elevational view with the parts shown in a flexed or bent condition. The dominant portions of the design are illustrated by the solid lines in the drawing.



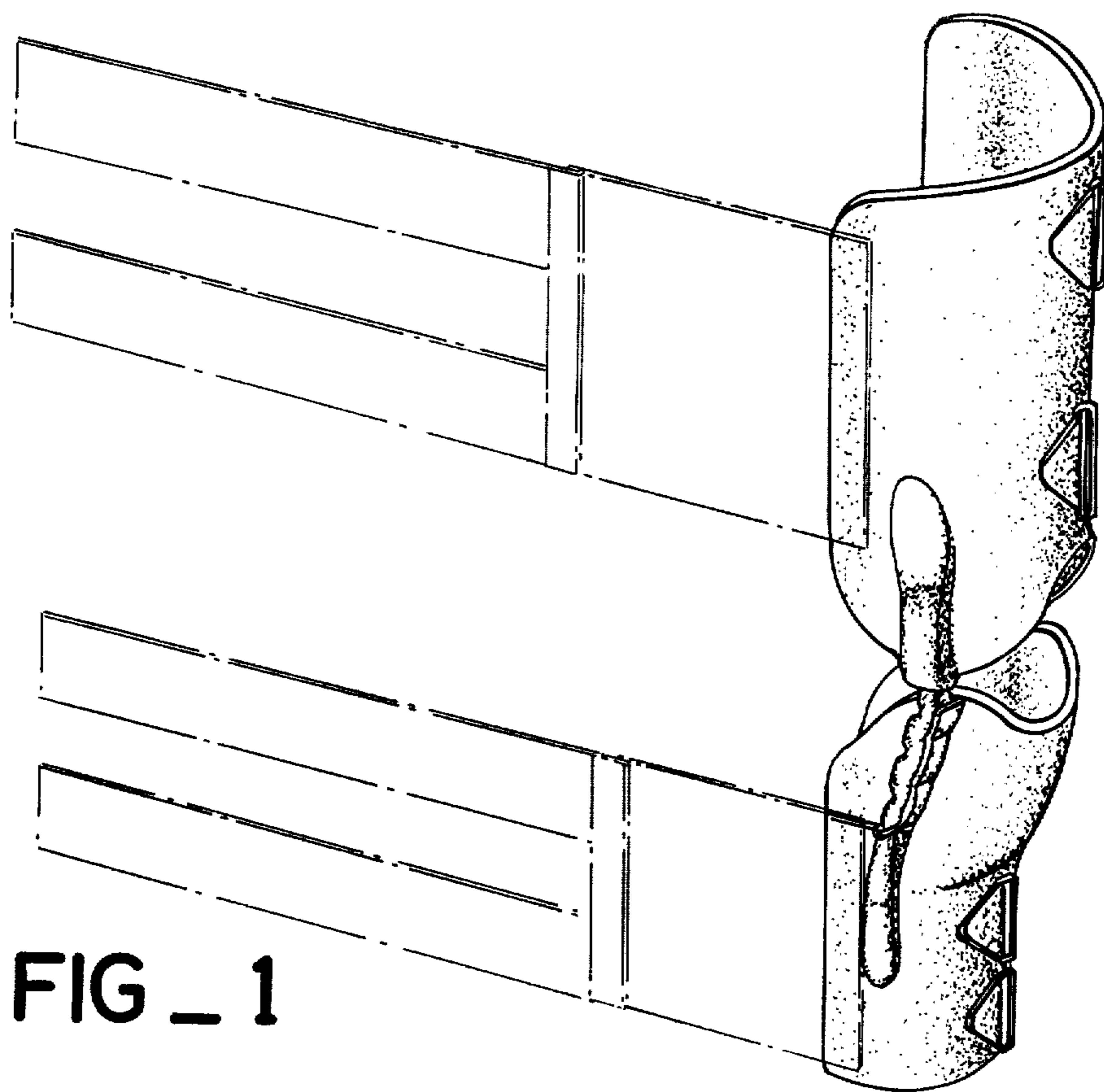


FIG _ 1

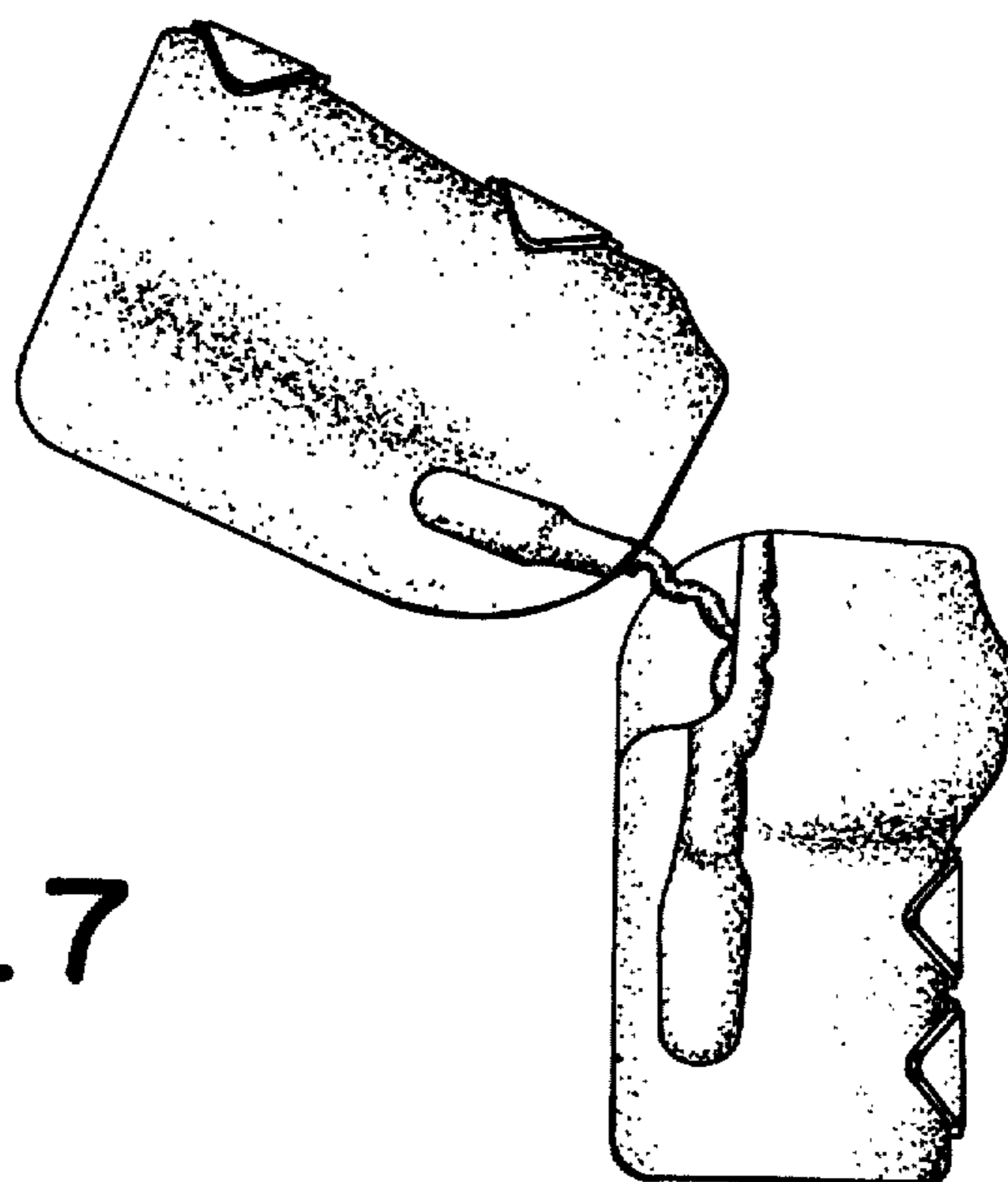


FIG _ 7

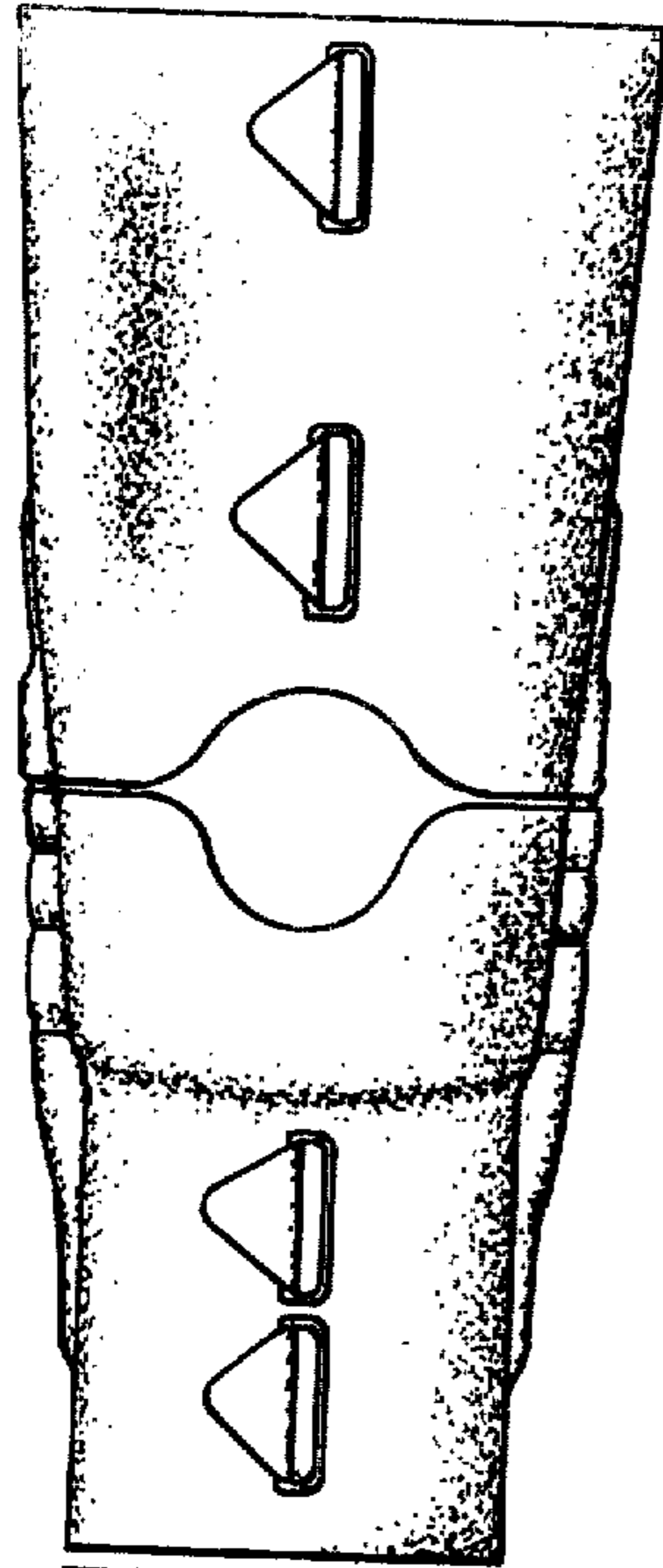


FIG _ 2

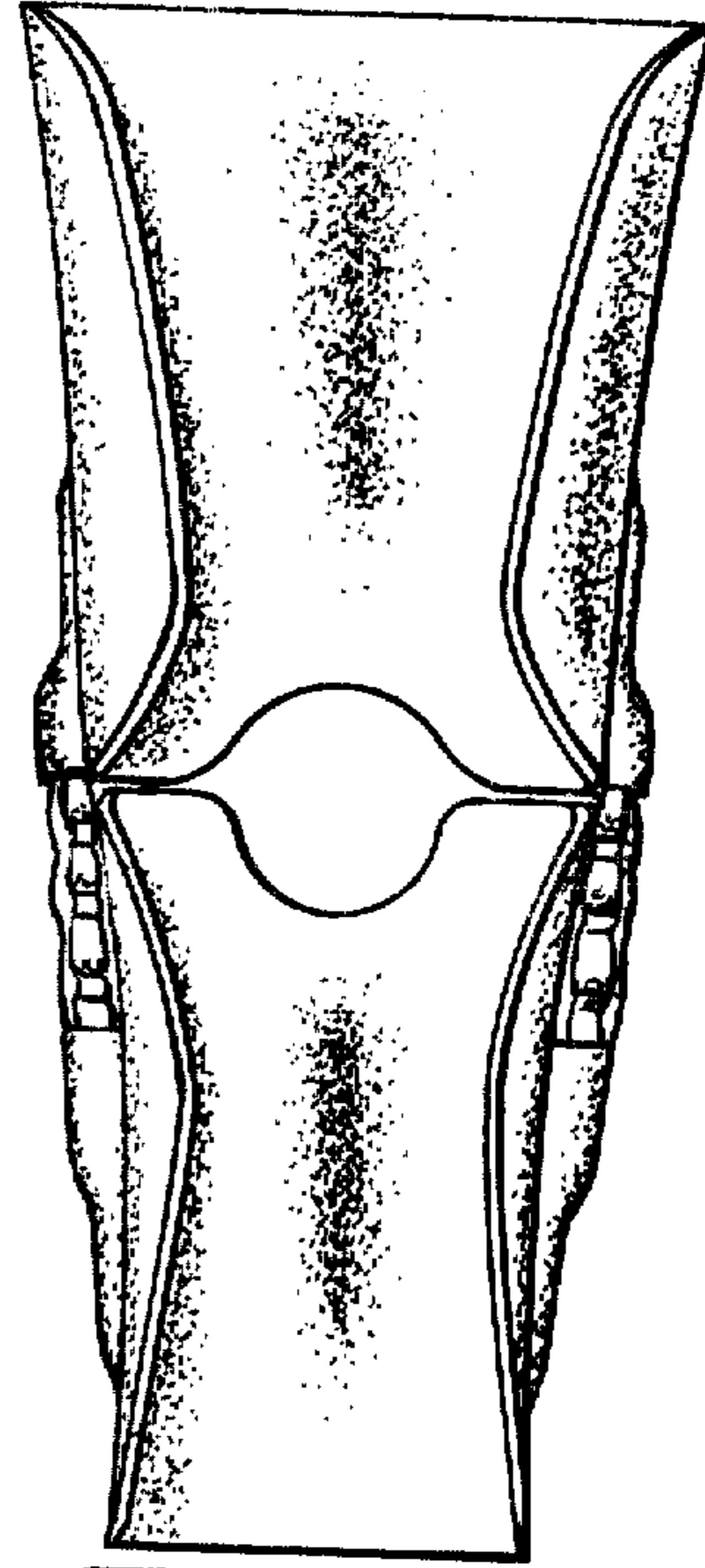


FIG _ 4

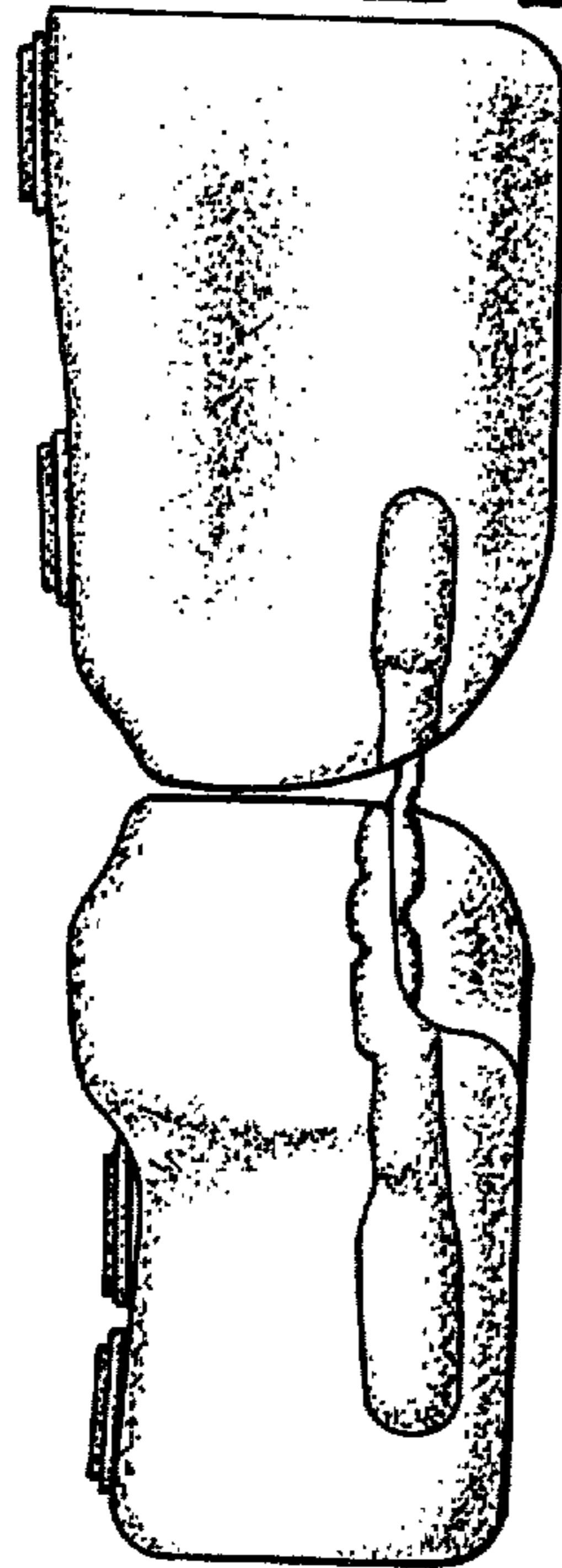


FIG _ 3

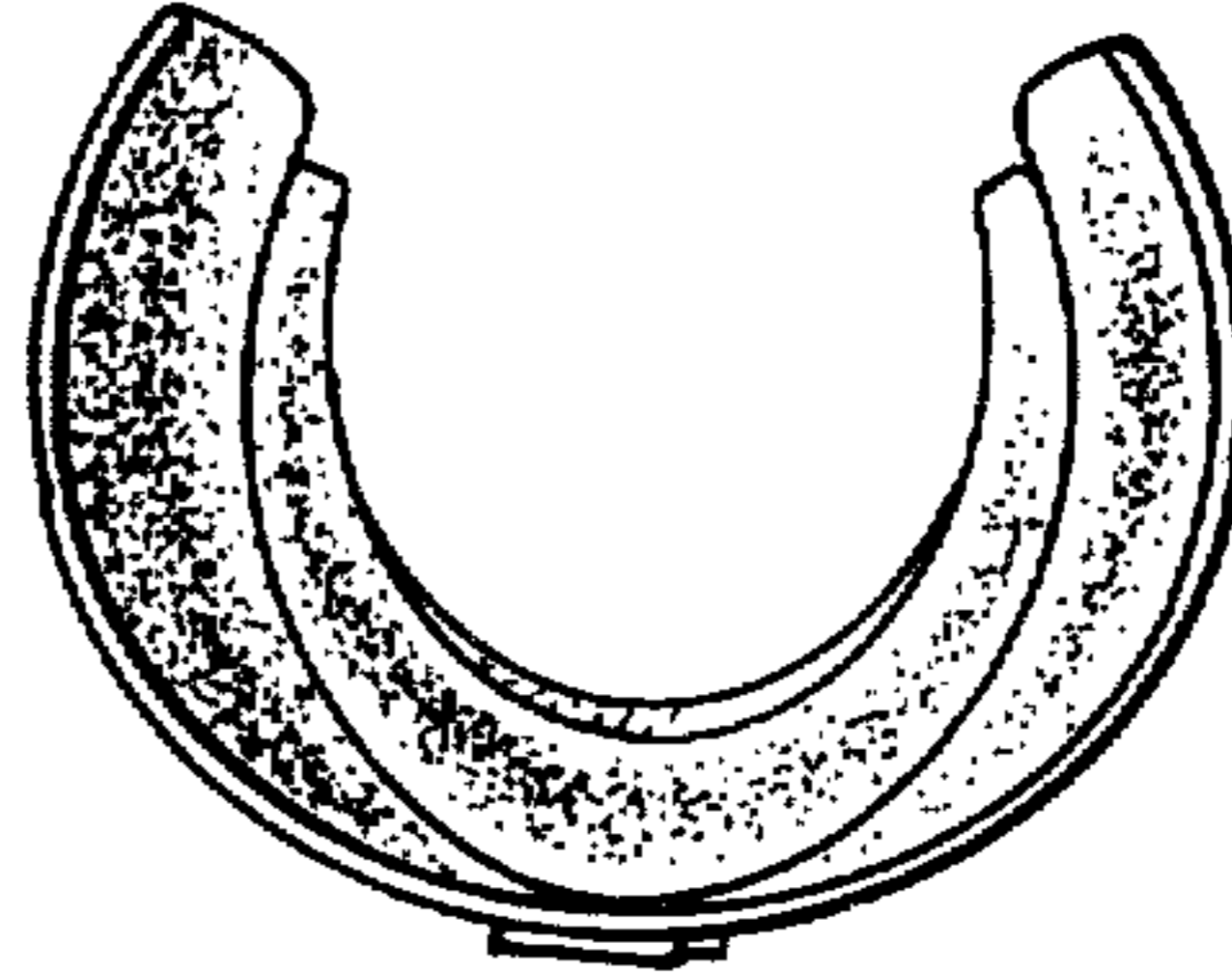


FIG _ 5

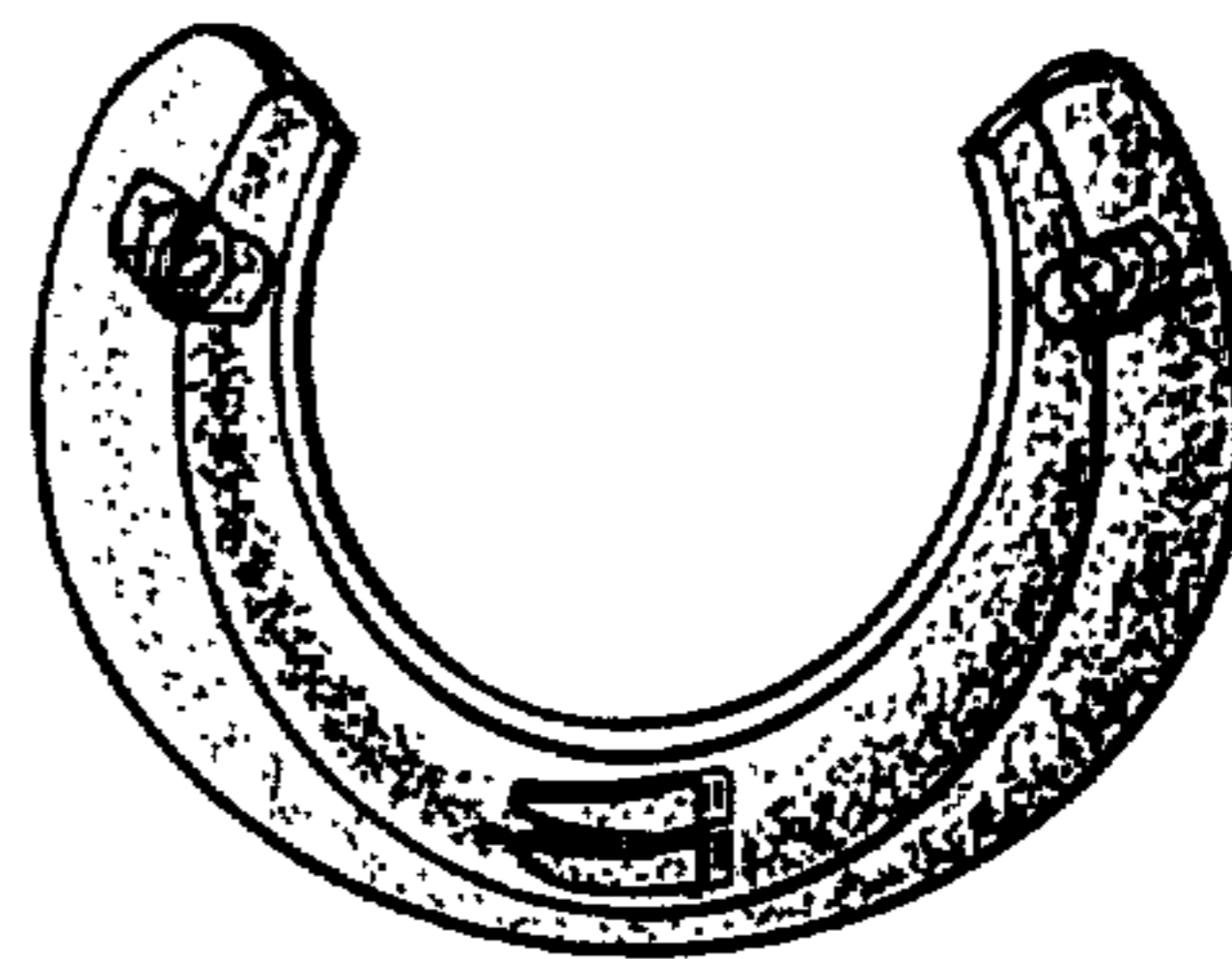


FIG _ 6