

[54] MOTOR HOUSING FOR AN ORAL HYGIENE APPLIANCE

[75] Inventors: Ted G. Crawford, Longmont, Colo.; Allan B. Johnson, Tarzana; Spencer L. Mackay, Canoga Park, both of Calif.

[73] Assignee: Teledyne Industries, Inc., Ft. Collins, Colo.

[**] Term: 14 Years

[21] Appl. No.: 153,193

[22] Filed: May 27, 1980

[51] Int. Cl. D24-03

[52] U.S. Cl. D24/15

[58] Field of Search D24/15; 128/66, 62 A; 15/22 R

[56] References Cited

U.S. PATENT DOCUMENTS

D. 216,982 3/1970 Schaefer D24/15

D. 246,667 12/1977 Mackay et al. D24/15
D. 246,668 12/1977 Mackay et al. D24/15
3,393,673 7/1968 Mattingly D24/15 X
3,771,186 11/1973 Moret et al. 128/66 X

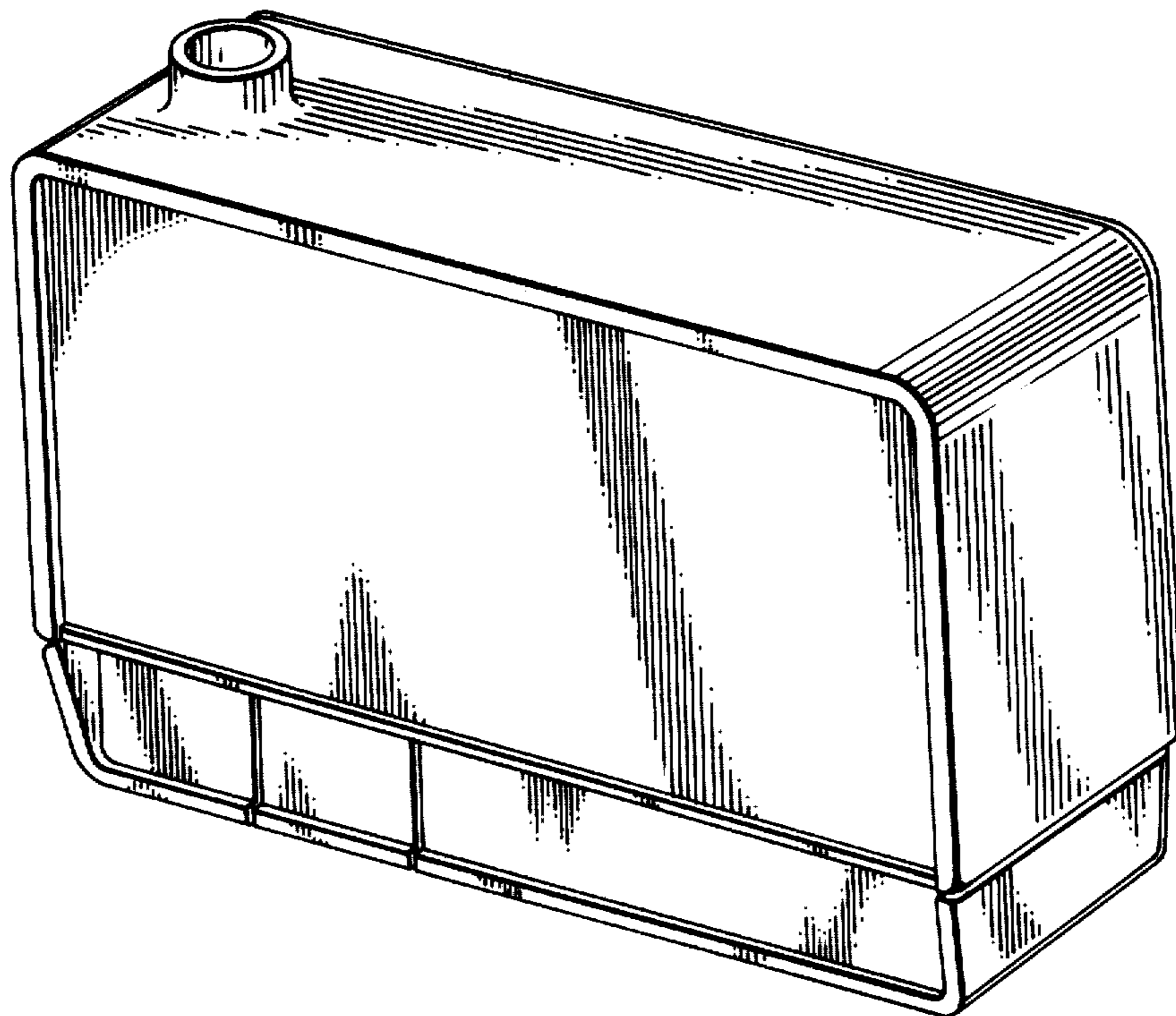
Primary Examiner—Bernard Ansher
Attorney, Agent, or Firm—Hugh H. Drake

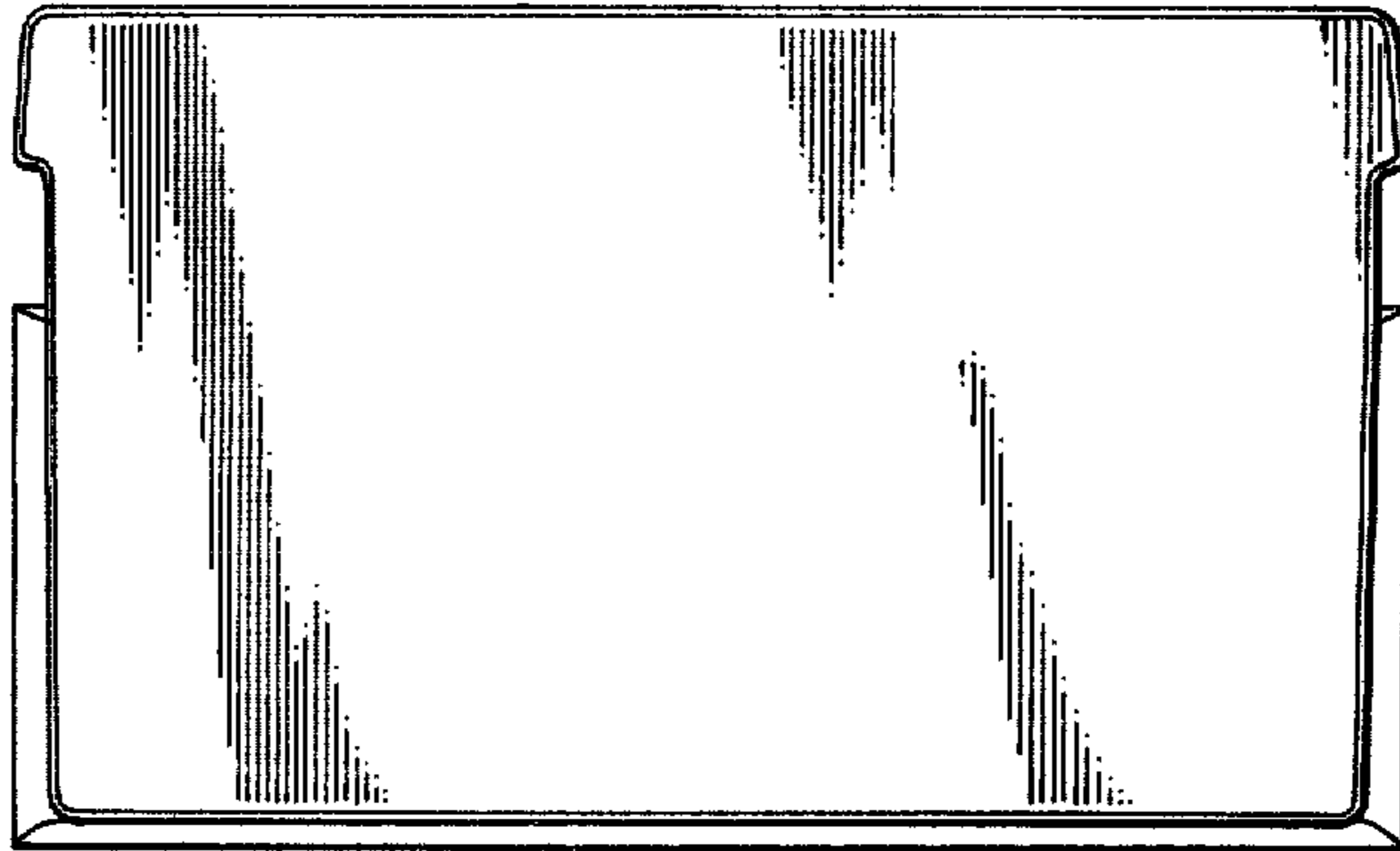
[57] CLAIM

The ornamental design of a motor housing for an oral hygiene appliance, as shown and described.

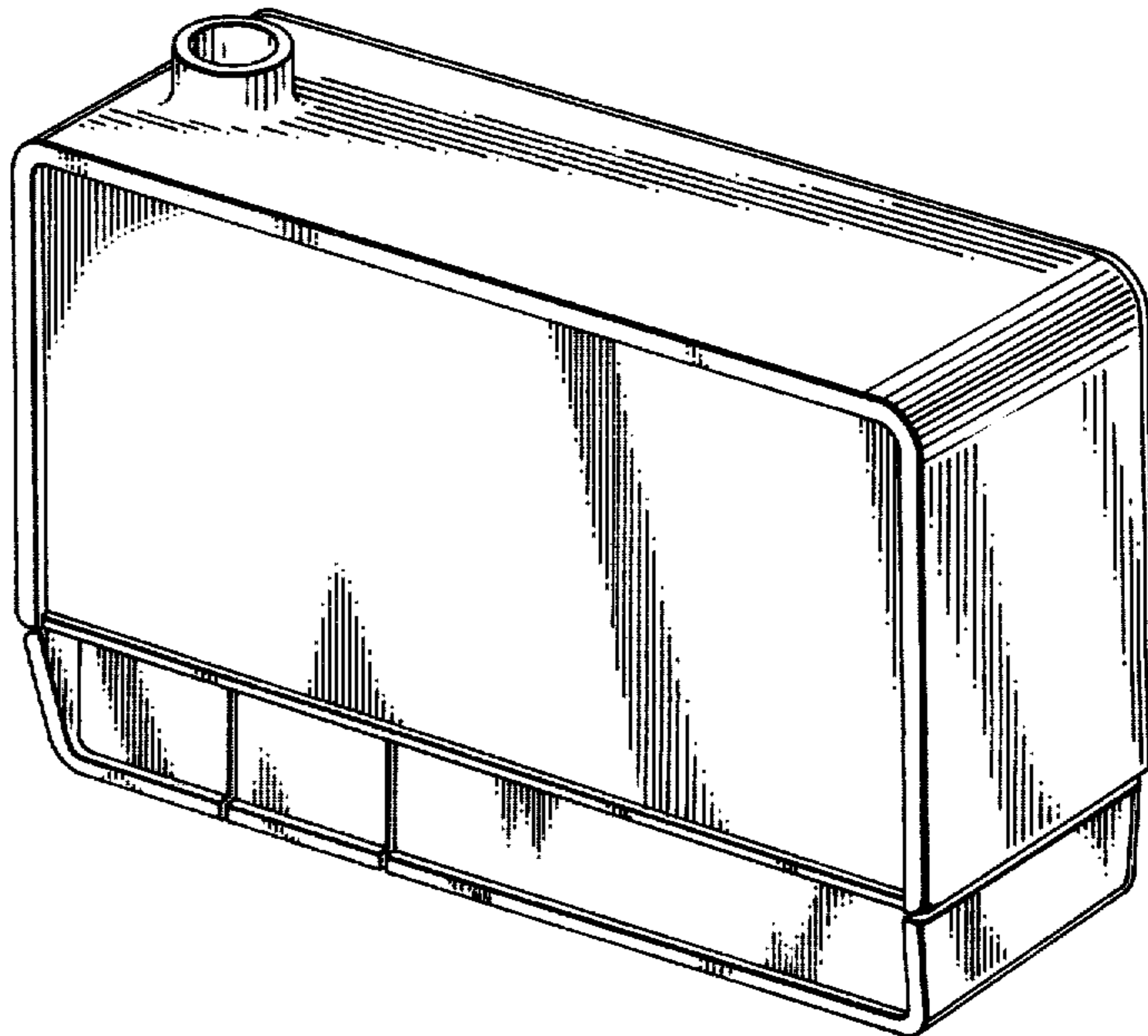
DESCRIPTION

FIG. 1 is a top front isometric view of a motor housing for an oral hygiene appliance showing our new design; FIG. 2 is a bottom plan view thereof; FIG. 3 is a top front isometric view of the appliance in an alternate position from that disclosed in FIG. 1; FIG. 4 is a front elevation of FIG. 3; FIG. 5 is a side elevation thereof; FIG. 6 is a side elevation as seen from the side opposite FIG. 5; FIG. 7 is a rear elevation thereof; and FIG. 8 is a top plan view of FIG. 3.

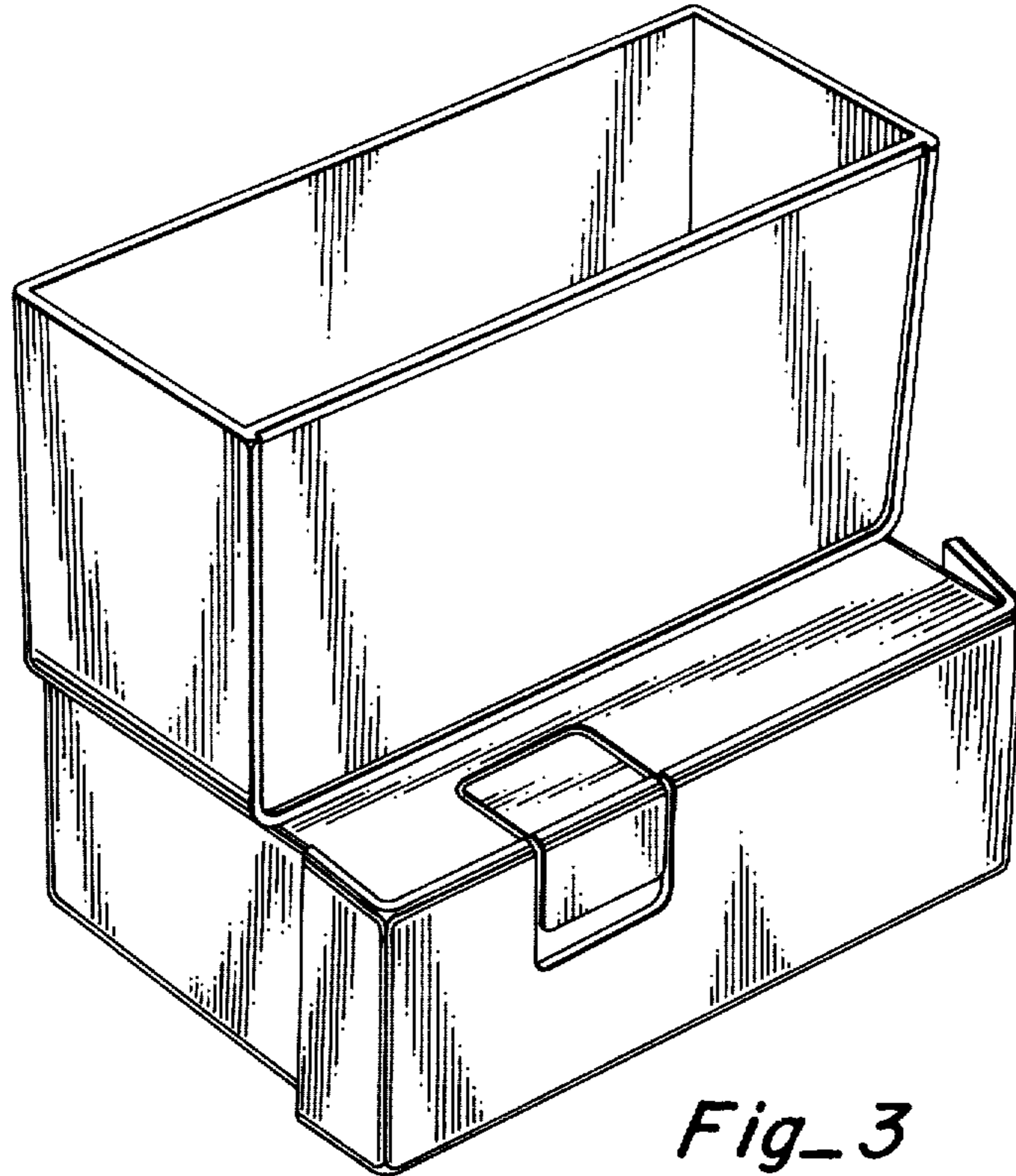




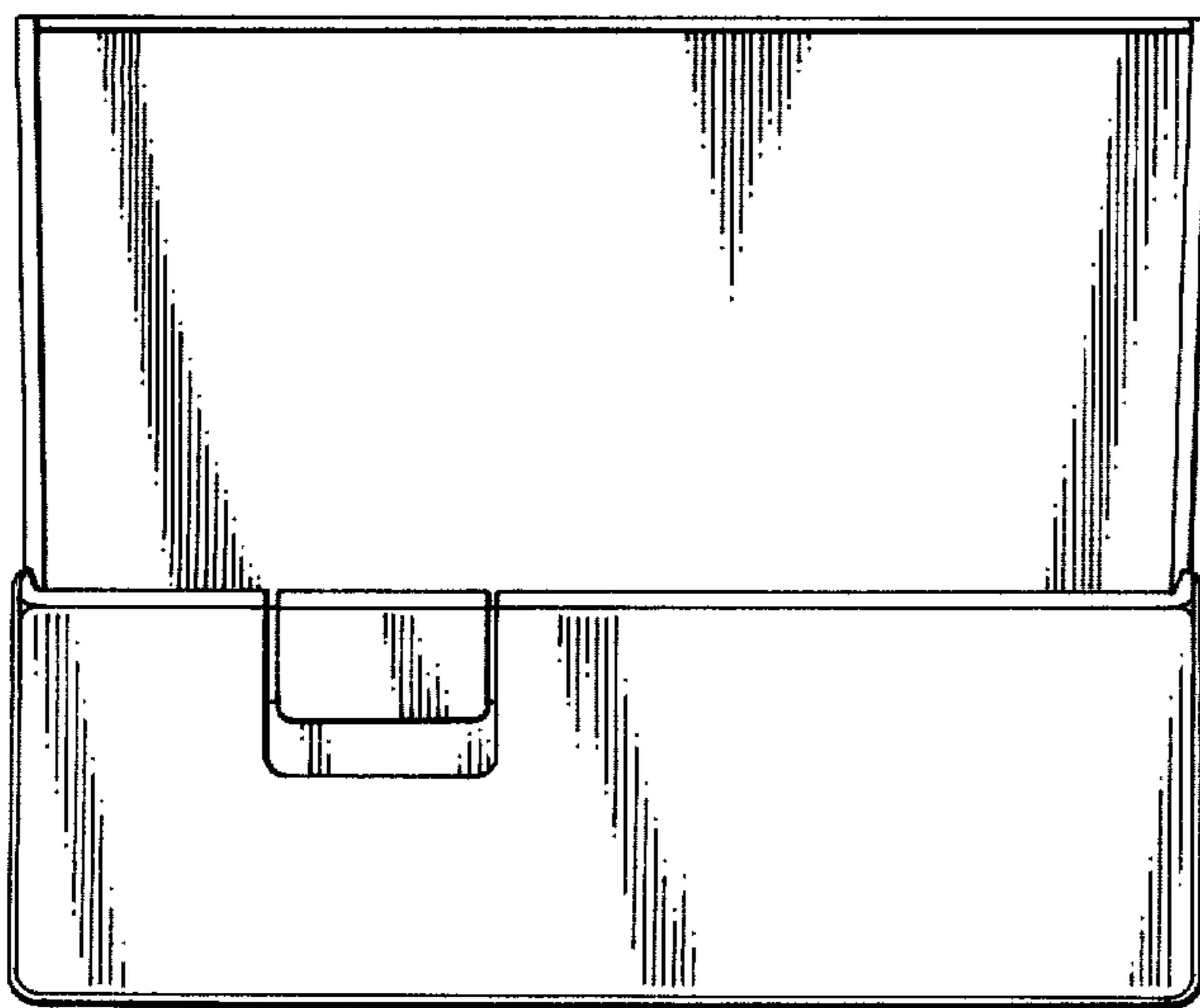
Fig_2



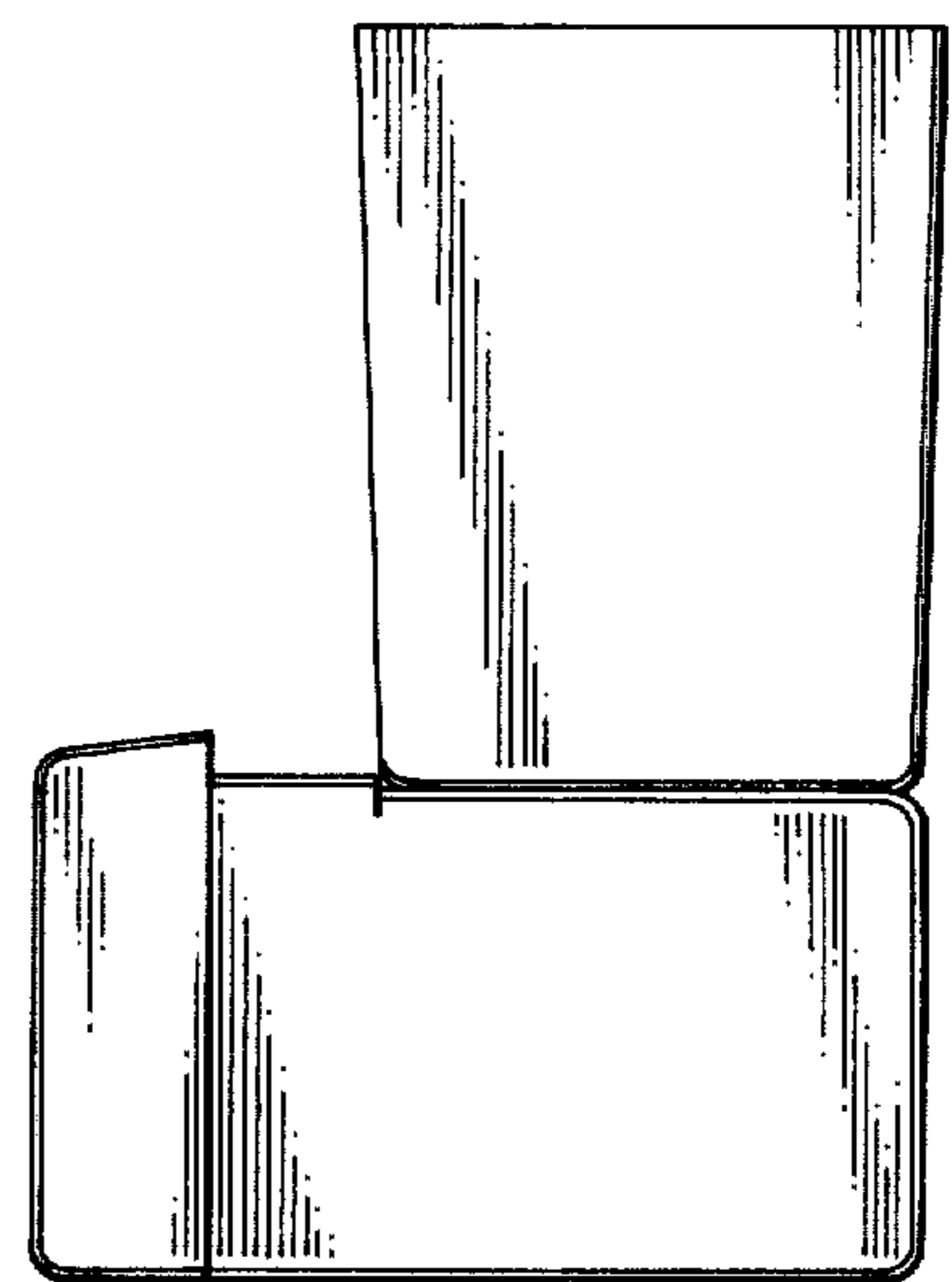
Fig_1



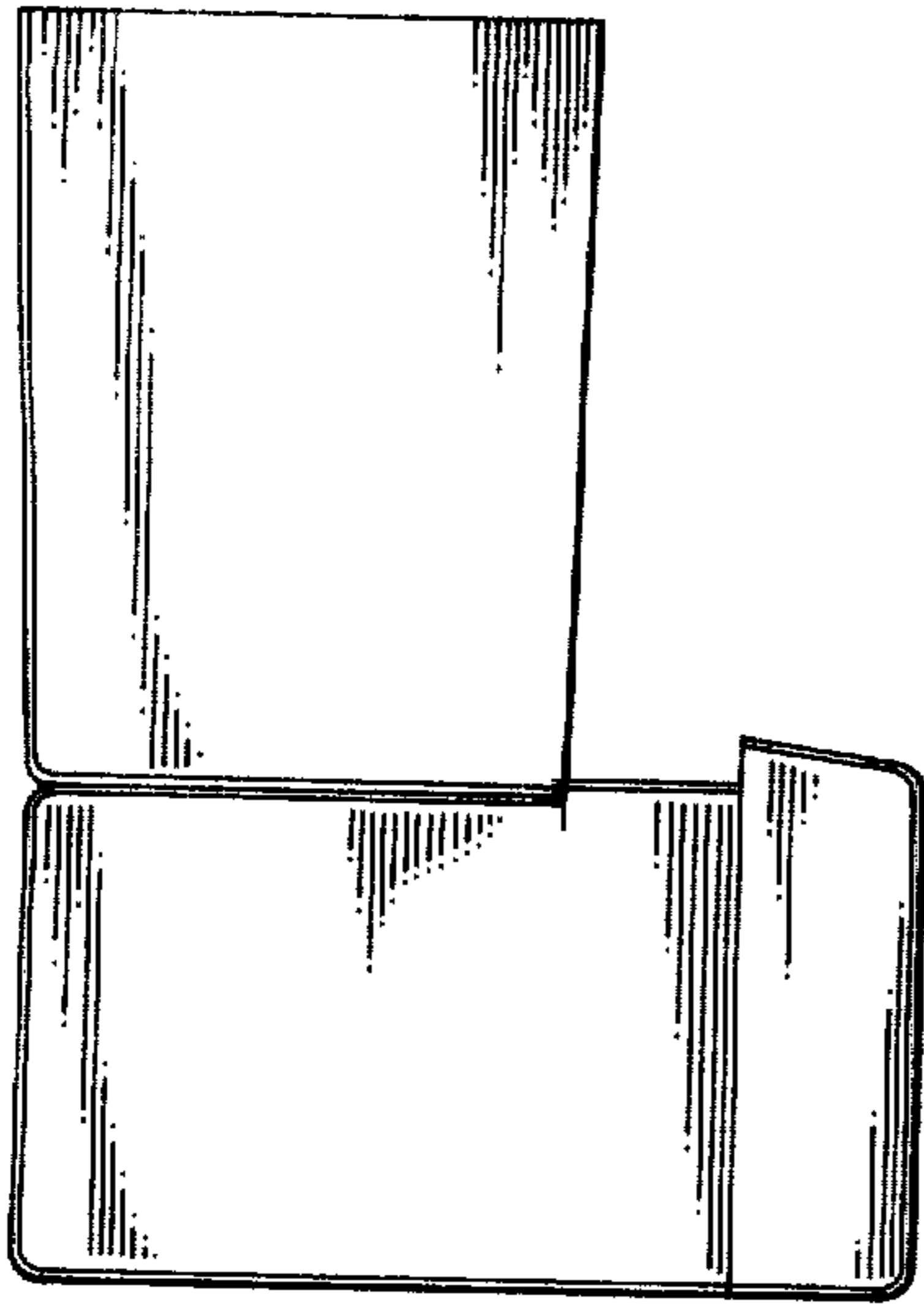
Fig_3



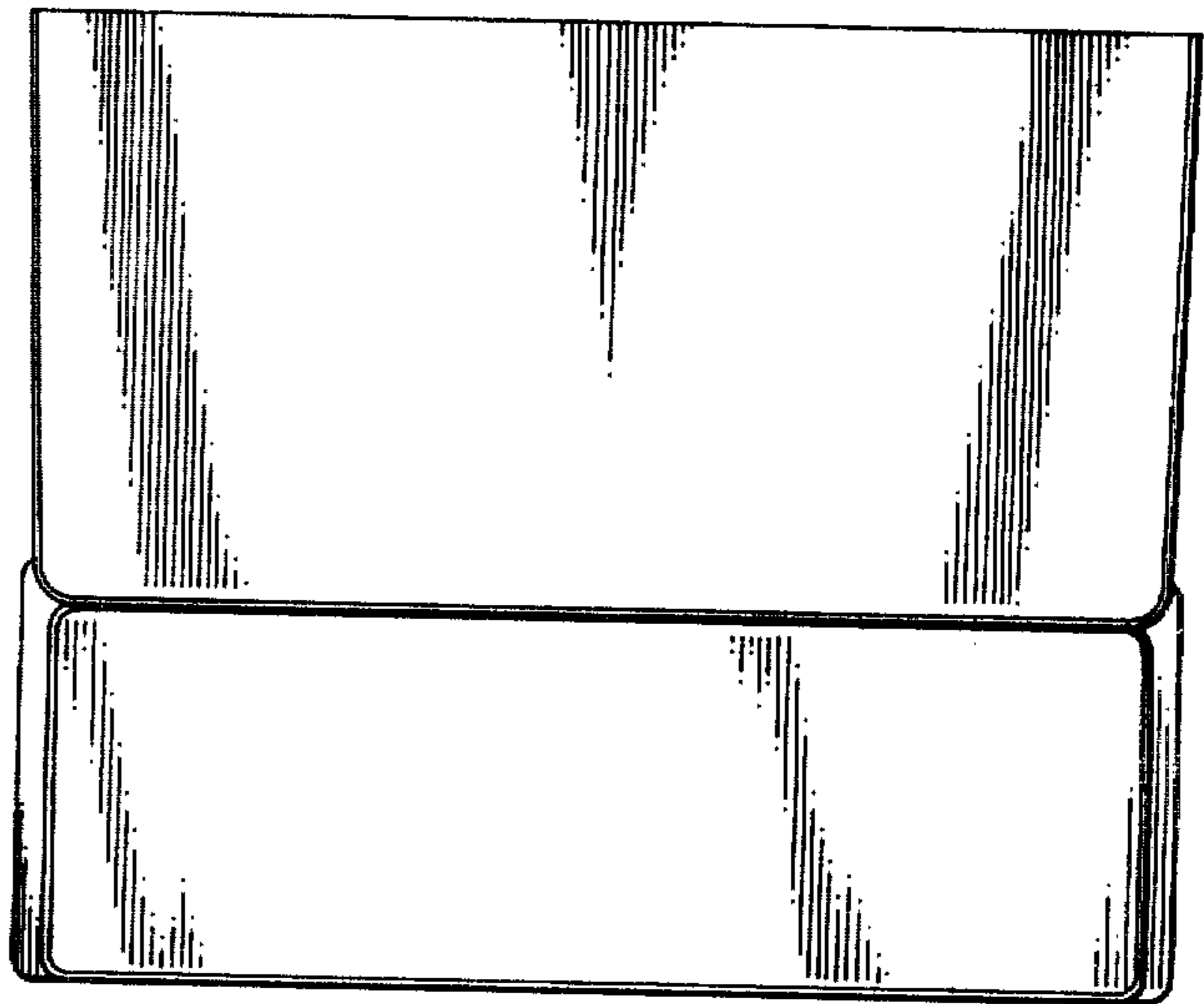
Fig_4



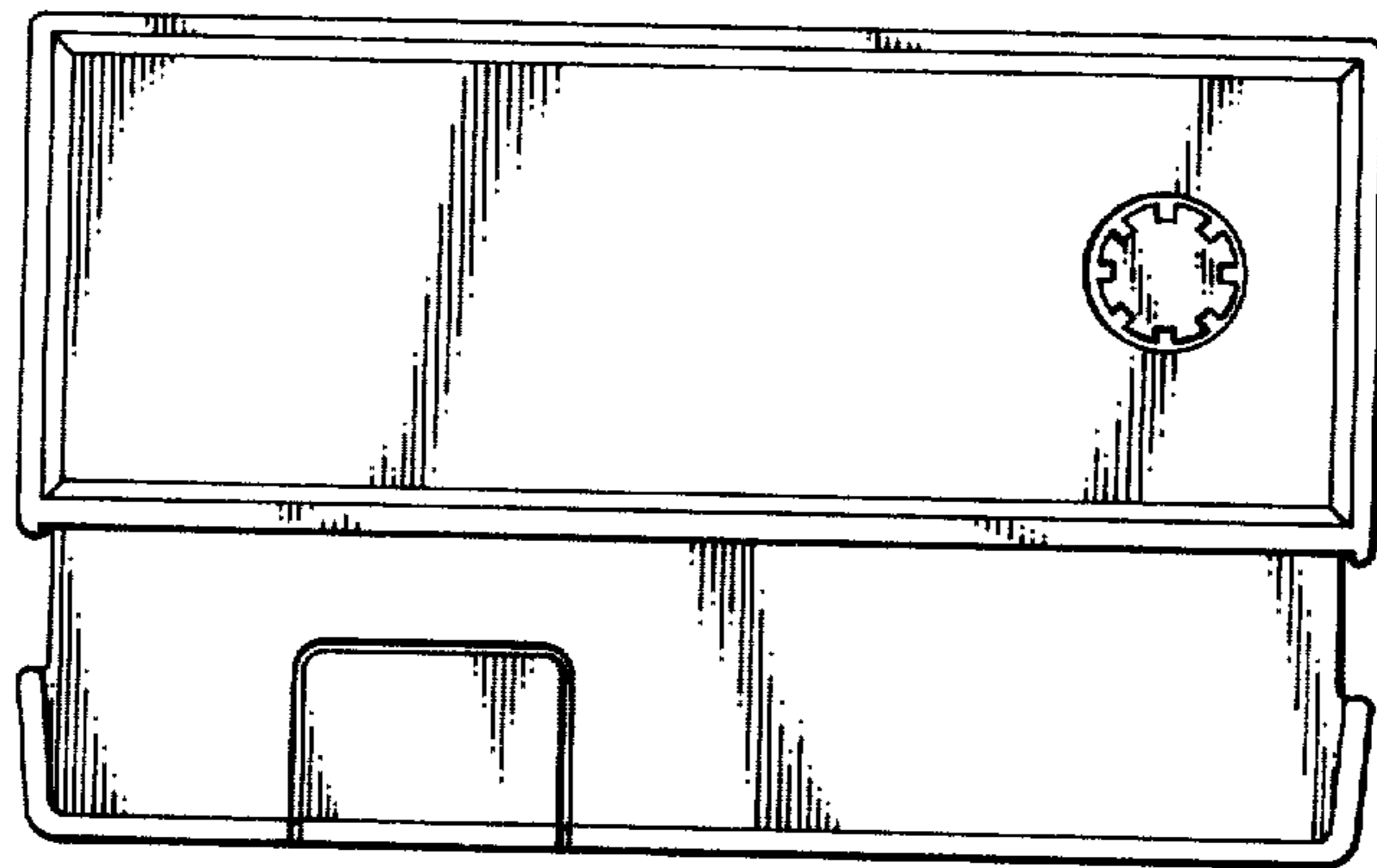
Fig_5



Fig_6



Fig_7



Fig_8