

[54] **CONTACT LENS STERILIZER UNIT CASING**

[75] Inventor: **Francis E. Ryder, Arab, Ala.**

[73] Assignee: **Ryder International Corporation, Arab, Ala.**

[\*\*] Term: **14 Years**

[21] Appl. No.: **130,207**

[22] Filed: **Mar. 13, 1980**

[51] Int. Cl. .... **D24-02**

[52] U.S. Cl. .... **D24/9; D9/396**

[58] Field of Search ..... **D9/396, 397, 398, 399; D24/9; 422/300, 307, 299, 292, 293, 105**

[56] **References Cited**

**U.S. PATENT DOCUMENTS**

- D. 231,498 4/1974 Thomas ..... D24/9  
 D. 231,499 4/1974 Thomas ..... D24/9

- D. 257,174 9/1980 Thomas ..... D24/9  
 D. 257,489 11/1980 Thomas et al. .... D24/9  
 D. 259,441 6/1981 Hauser ..... D24/9  
 3,961,893 6/1976 Russell et al. .... 422/300  
 4,196,166 4/1980 Sanderson et al. .... 422/300  
 4,242,572 12/1980 Thomas et al. .... 422/300 X  
 4,256,952 3/1981 Thomas et al. .... 422/300 X

*Primary Examiner*—Bernard Ansher  
*Attorney, Agent, or Firm*—Trexler, Bushnell & Wolters, Ltd.

[57] **CLAIM**

The ornamental design for a contact lens sterilizer unit casing, substantially as shown and described.

**DESCRIPTION**

FIG. 1 is a perspective view of a contact lens sterilizer unit casing showing my new design; FIG. 2 is a side elevational thereof; FIG. 3 is a rear elevation thereof; and FIG. 4 is a front elevation thereof.

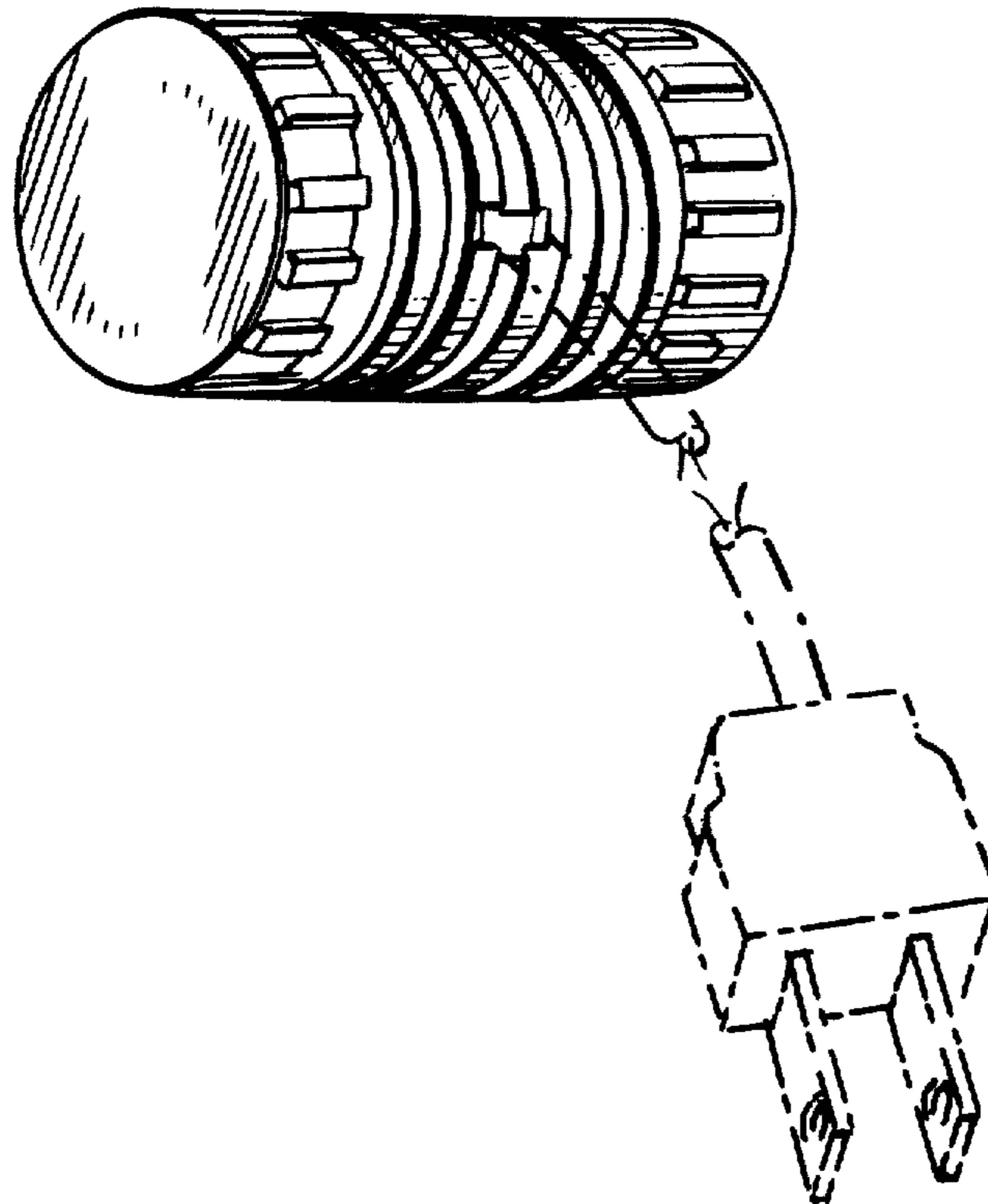


FIG. 1.

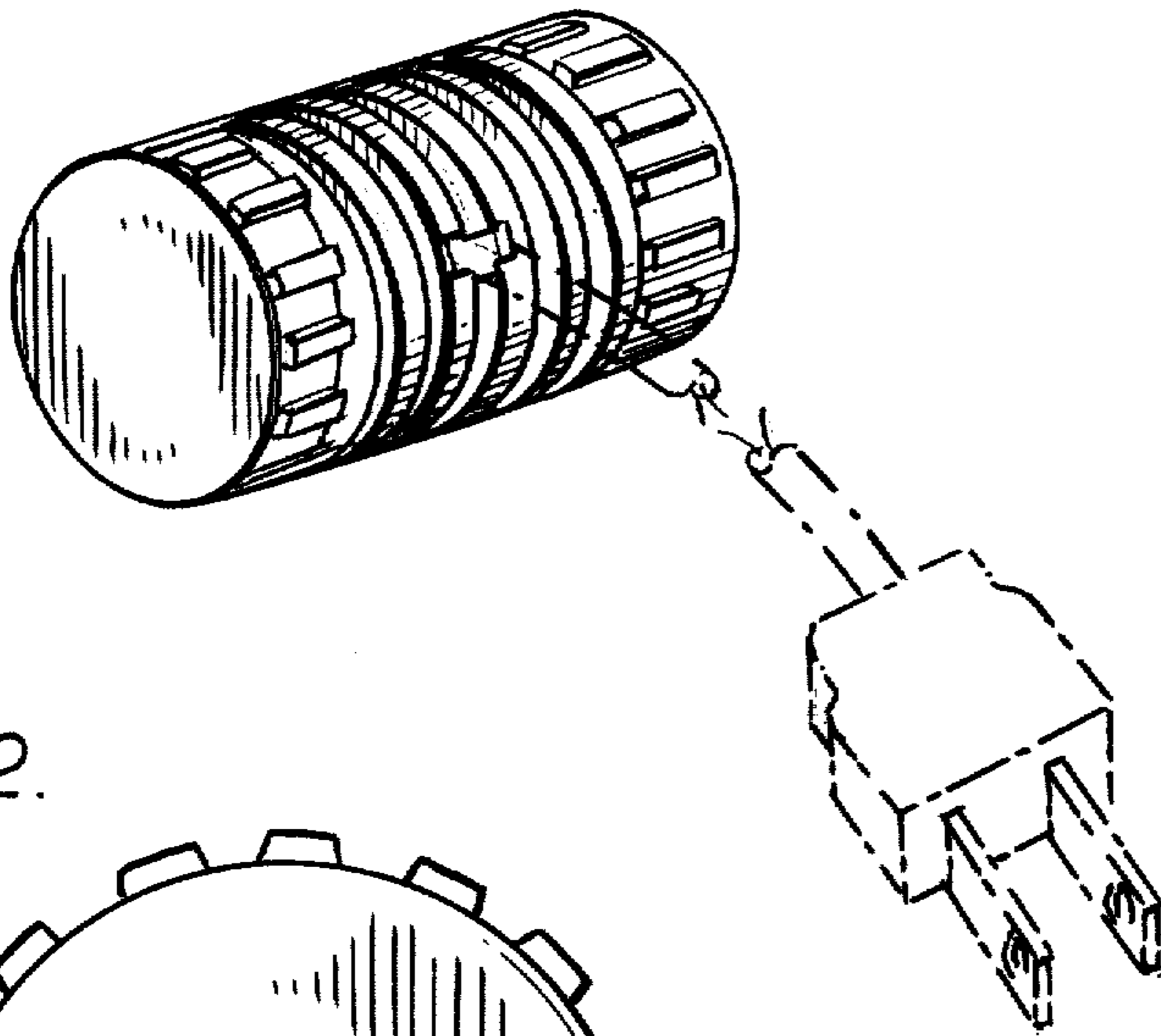


FIG. 2.

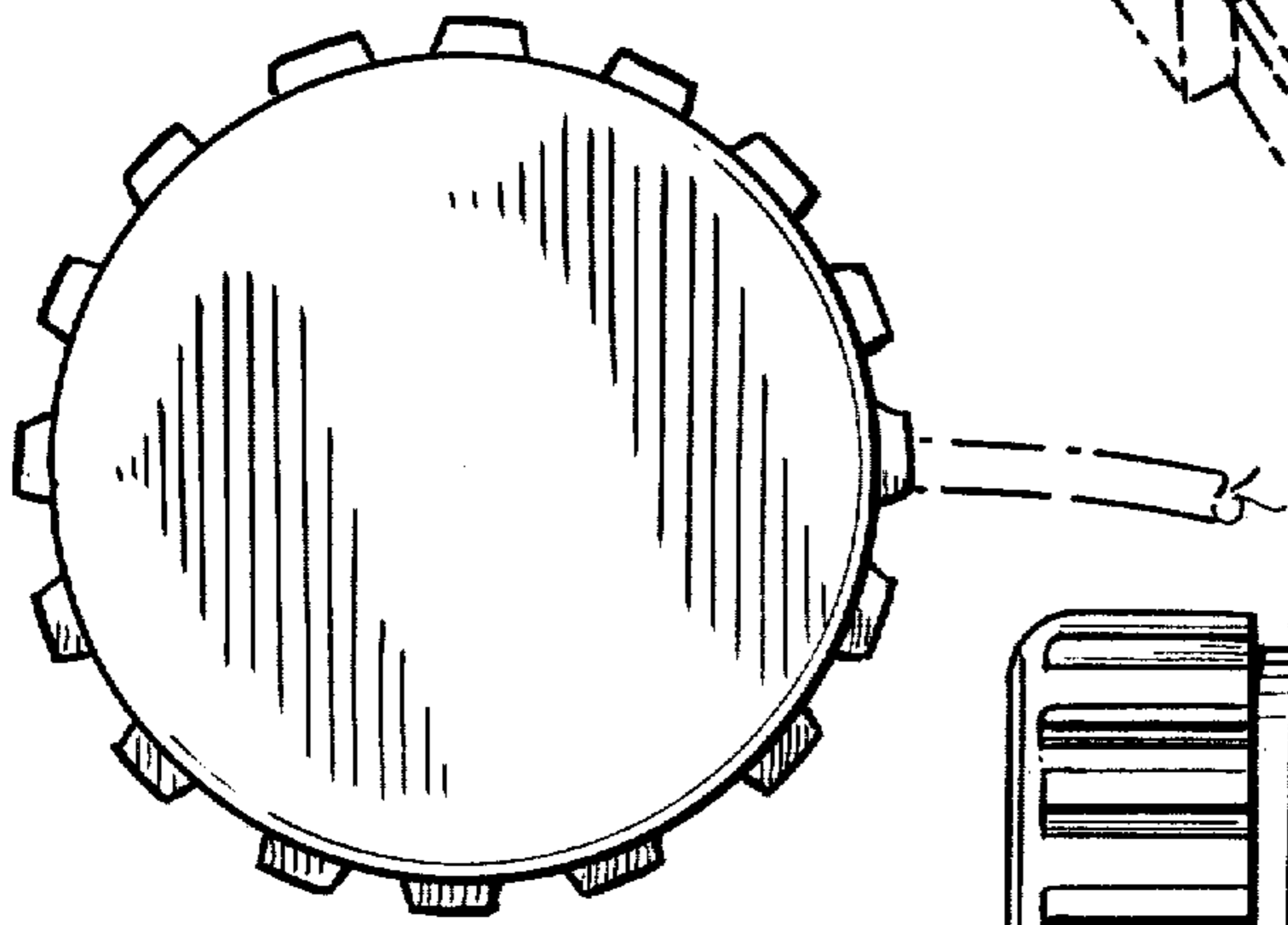


FIG. 3.

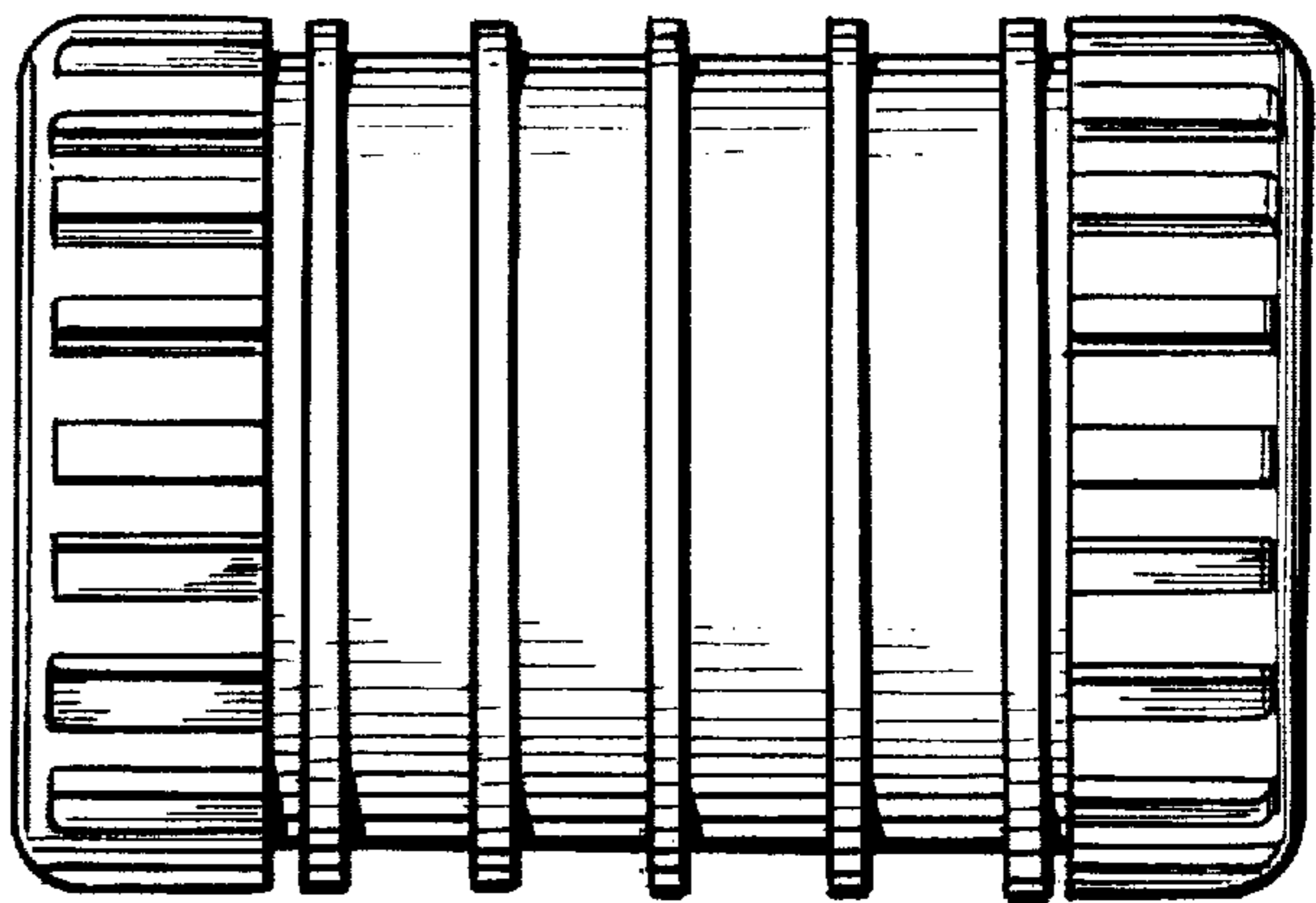


FIG. 4.

