

[54] FLUID DELIVERY APPARATUS

[75] Inventors: Joseph J. Manno; William W. Busche, both of San Diego; Richard M. Bucchianeri, Escondido; Stephen J. Kreinick, San Diego, all of Calif.

[73] Assignee: IVAC Corporation, San Diego, Calif.

[**] Term: 14 Years

[21] Appl. No.: 216,634

[22] Filed: Dec. 15, 1980

[51] Int. Cl. D24-01

[52] U.S. Cl. D24/8

[58] Field of Search 128/213, 214 F, 218 M, 128/230, DIG. 1, DIG. 6, DIG. 7, DIG. 12, DIG. 13, 214 E, 218 A, 665; 417/477; D24/8

[56] References Cited

U.S. PATENT DOCUMENTS

- D. 241,883 10/1976 King D24/8
- D. 246,258 11/1977 Ekert D24/8
- 3,895,631 7/1975 Buckles et al. 128/213
- 3,985,133 10/1976 Jenkins et al. 128/214 F

OTHER PUBLICATIONS

Harvard Apparatus, Jul. 1972, Bulletin 800, Harvard I-V Fluid Controller.

Harvard Apparatus, Apr. 1972, Bulletin 975, Compact Infusion Pump.

Harvard Apparatus, Apr. 1971, Bulletin 900, Classic Harvard Syringe Pump.

Harvard Apparatus, Nov. 1967, Bulletin 900, Basic Pump for Infusion-Withdrawal.

Harvard Apparatus, Manual for Model 2620, Syringe Infusion Pump.

Primary Examiner—Bernard Ansher

Attorney, Agent, or Firm—Fulwider, Patton, Rieber, Lee & Utecht

[57] CLAIM

The ornamental design for a fluid delivery apparatus, as shown and described.

DESCRIPTION

FIG. 1 is a perspective view of a fluid delivery apparatus embodying our new design, showing a syringe installed;

FIG. 2 is a top plan view thereof, with the syringe removed;

FIG. 3 is a front elevational view of the apparatus shown in FIG. 2;

FIG. 4 is a left side elevational view of the apparatus shown in FIG. 2;

FIG. 5 is a right side elevational view of the apparatus shown in FIG. 2;

FIG. 6 is a rear elevational view of the apparatus shown in FIG. 2; and

FIG. 7 is a bottom plan view of the apparatus shown in FIG. 2.

The broken lines in FIG. 1, representing the syringe, are shown for illustrative purposes only.

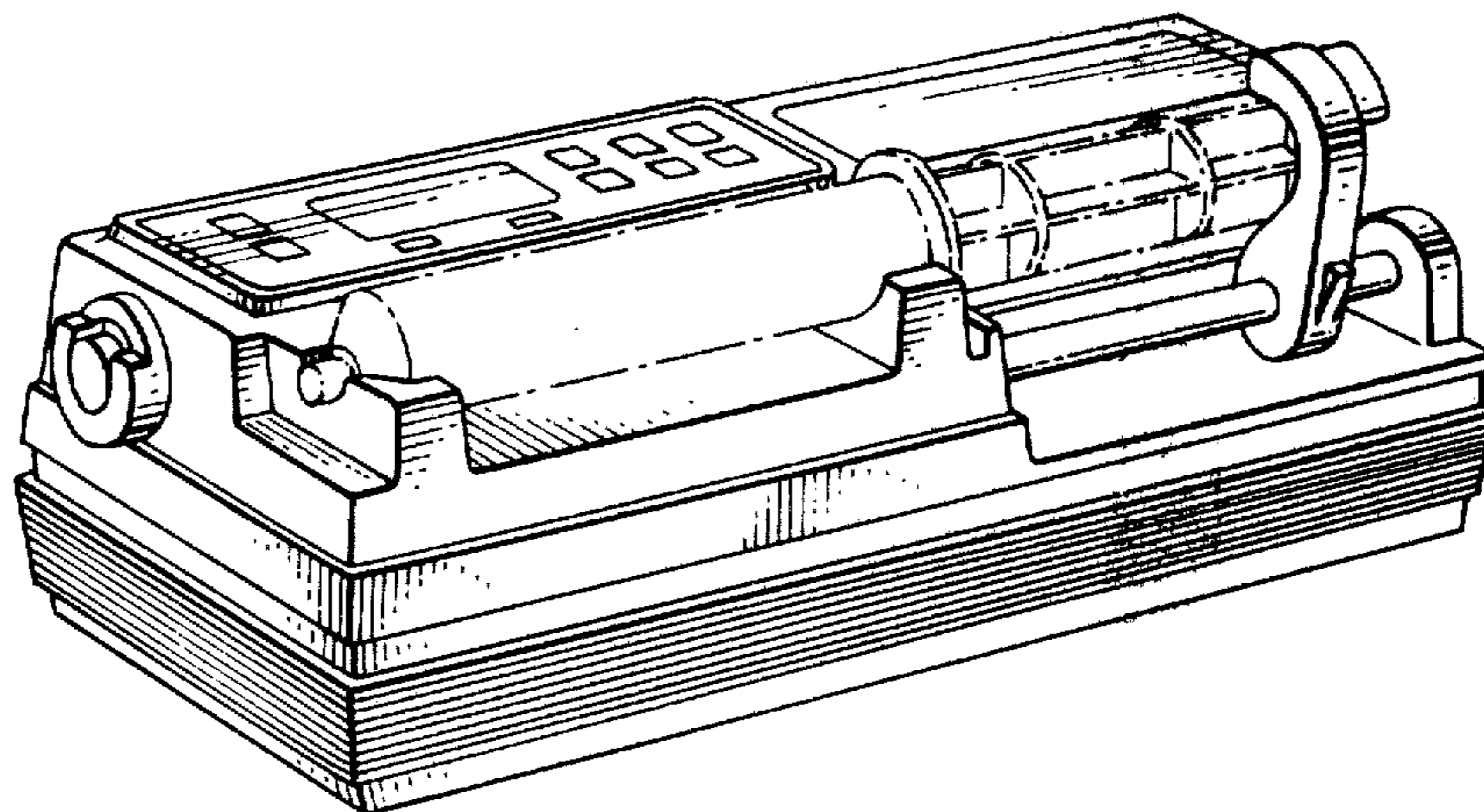


FIG. 1.

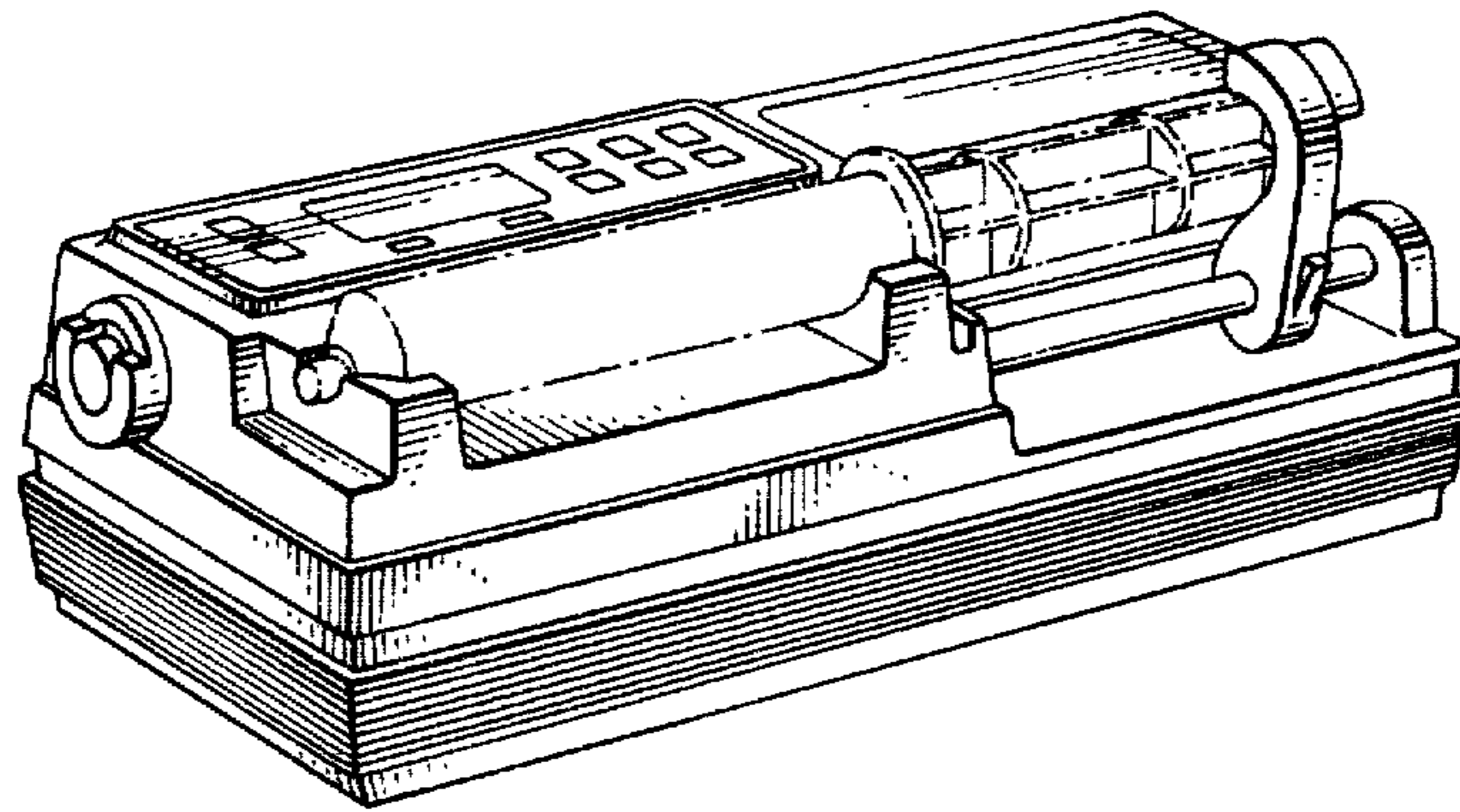


FIG. 2.

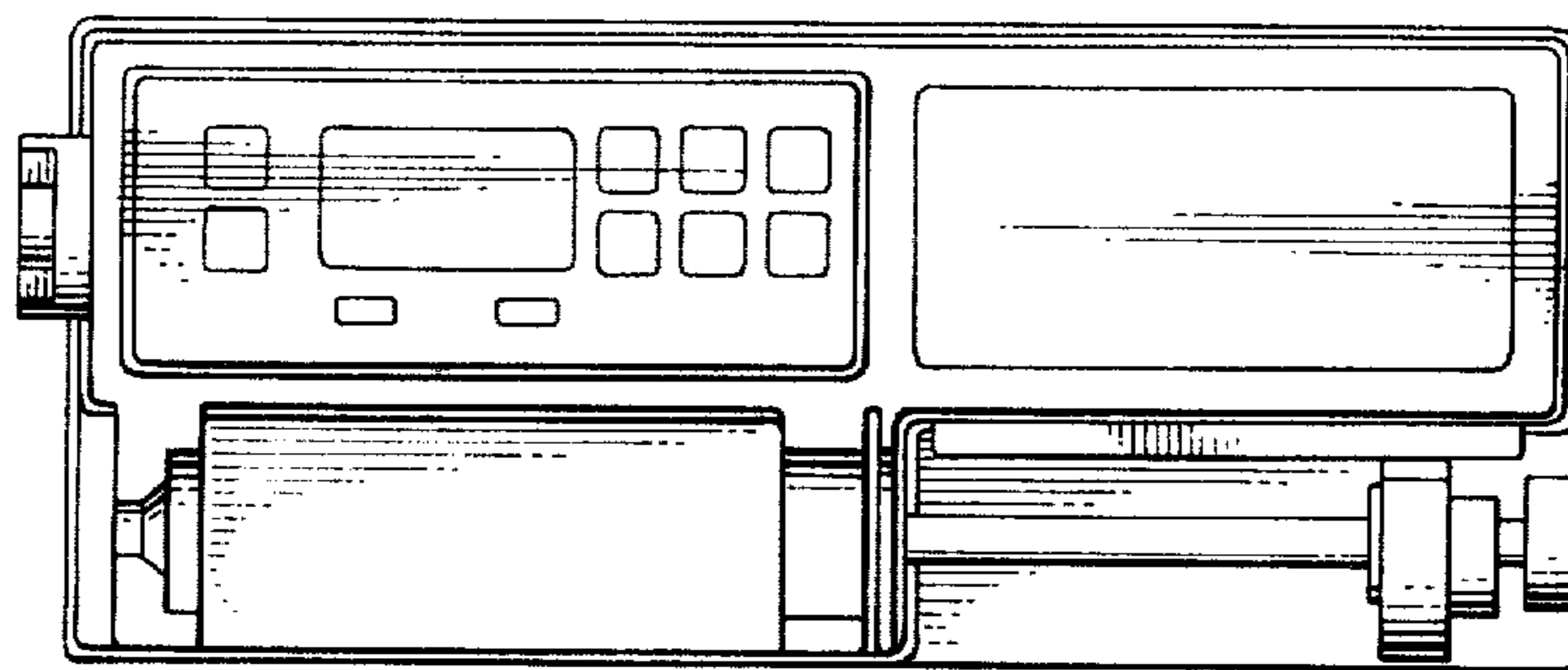


FIG. 3.

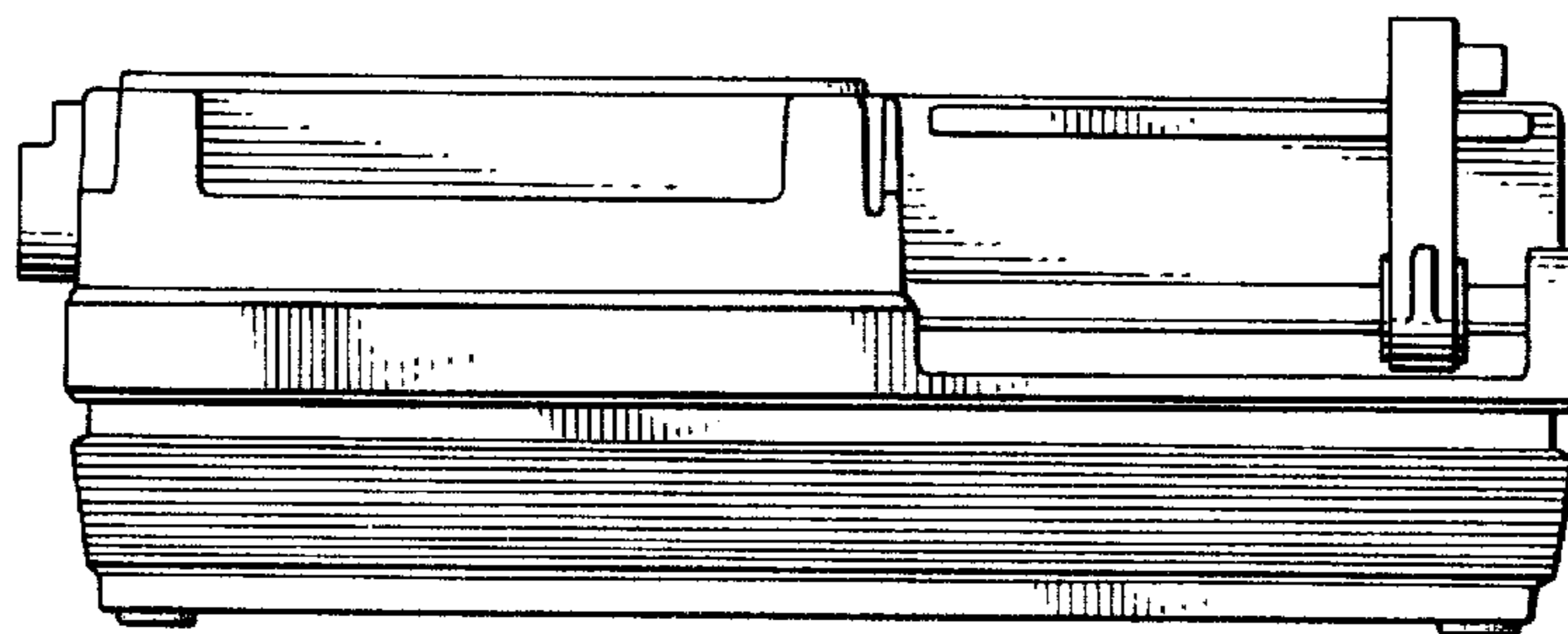


FIG. 4.

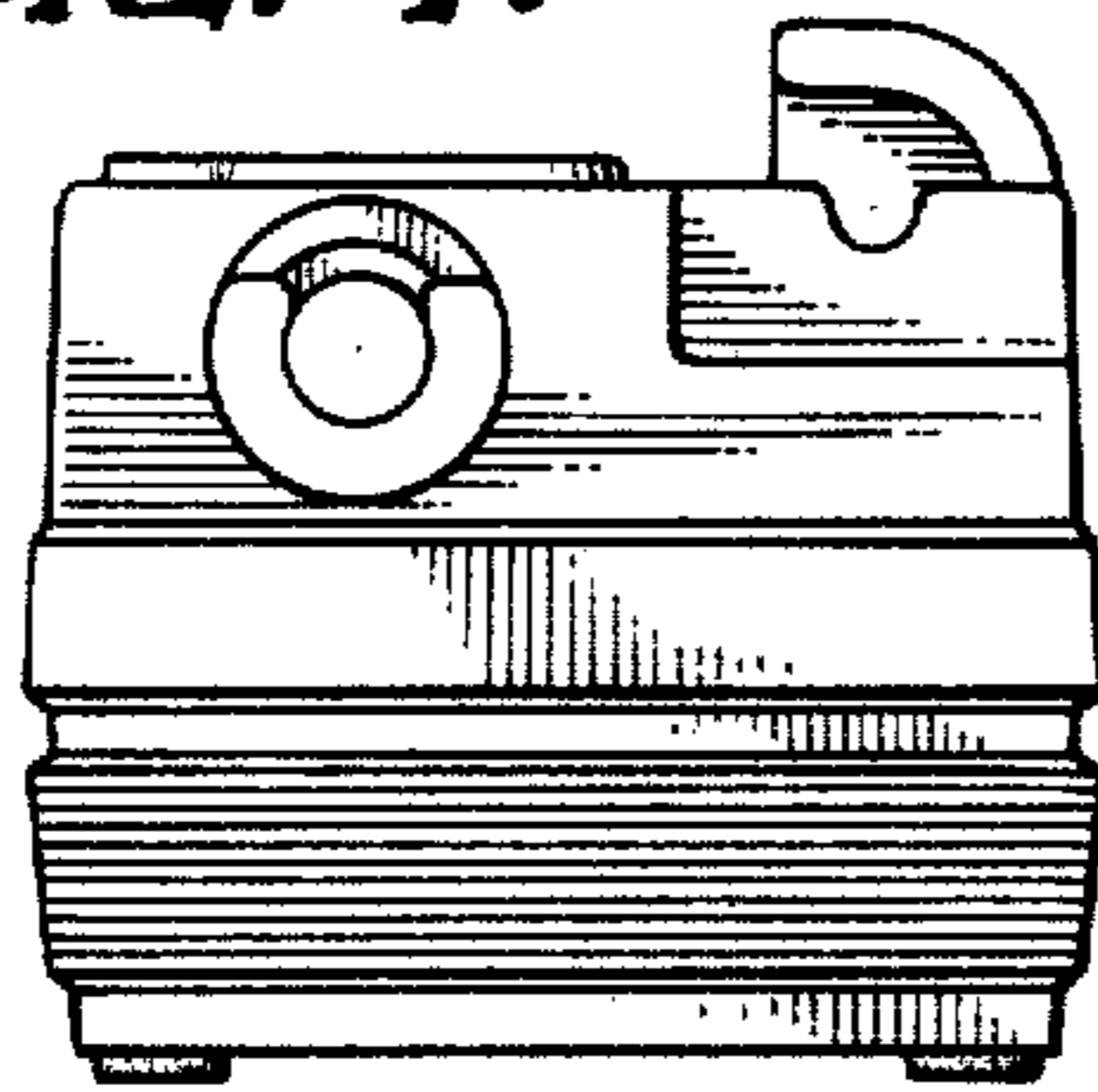


FIG. 5.

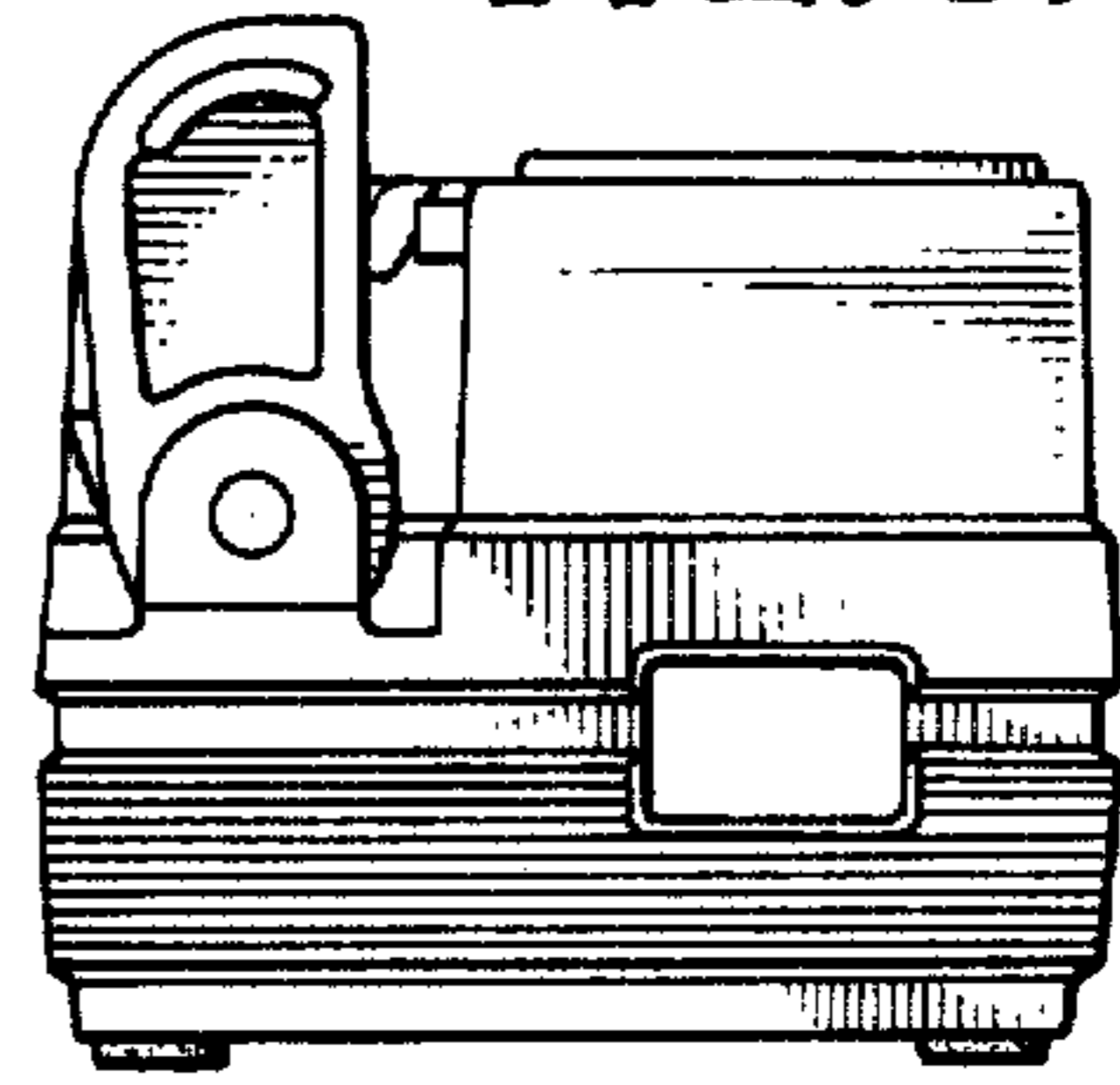


FIG. 6.

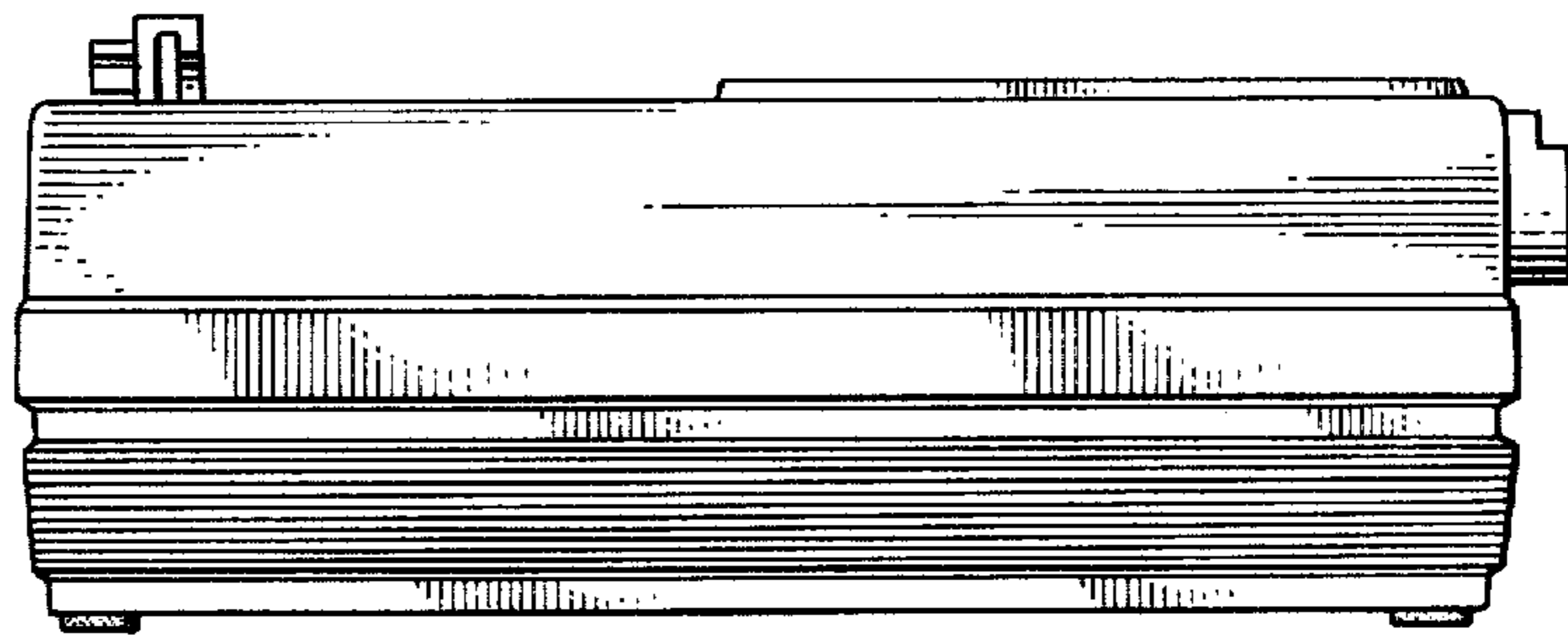


FIG. 7.

