

[54] STOVE

[75] Inventor: Charles W. Kooles, Enka, N.C.

[73] Assignee: Energetics Mfg. Co., Arden, N.C.

[\*\*] Term: 14 Years

[21] Appl. No.: 187,211

[22] Filed: Sep. 15, 1980

[51] Int. Cl. .... D23-03

[52] U.S. Cl. .... D23/97

[58] Field of Search .... D23/92-97;  
126/4, 6, 58, 60-66, 120, 121, 123, 126

[56]

References Cited

U.S. PATENT DOCUMENTS

D. 250,598 12/1978 Buckner ..... D23/97

D. 250,833 1/1979 Loftis et al. .... D23/97

Primary Examiner—Catherine E. Kemper  
Attorney, Agent, or Firm—Richards, Shefte & Pinckney

[57]

CLAIM

The ornamental design for a stove, as shown and described.

DESCRIPTION

FIG. 1 is a perspective view of a stove, showing my new design;

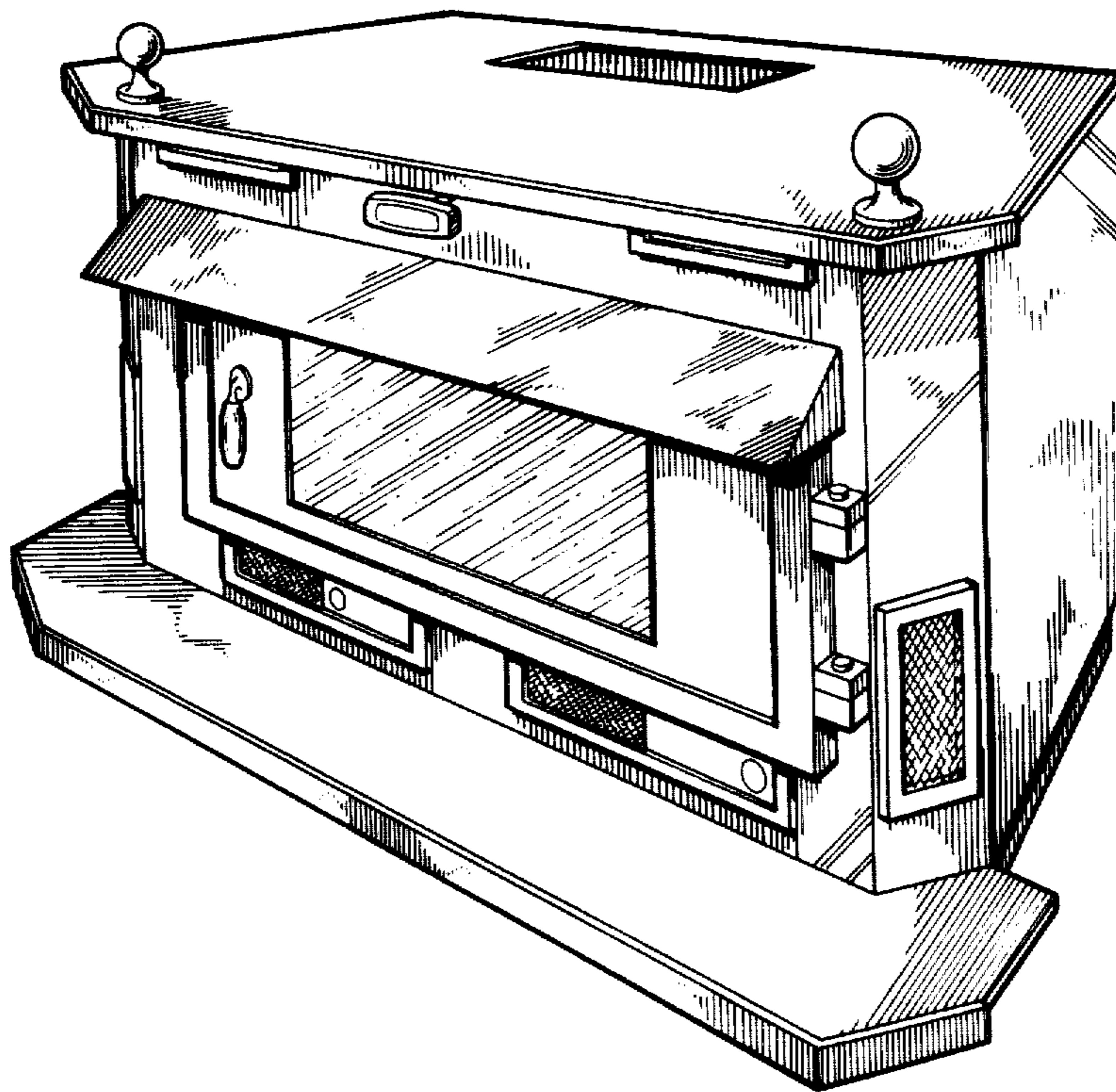
FIG. 2 is a front elevational view thereof;

FIG. 3 is a right side elevational view thereof;

FIG. 4 is a left side elevational view thereof;

FIG. 5 is a rear elevational view thereof;

FIG. 6 is a top plan view thereof.



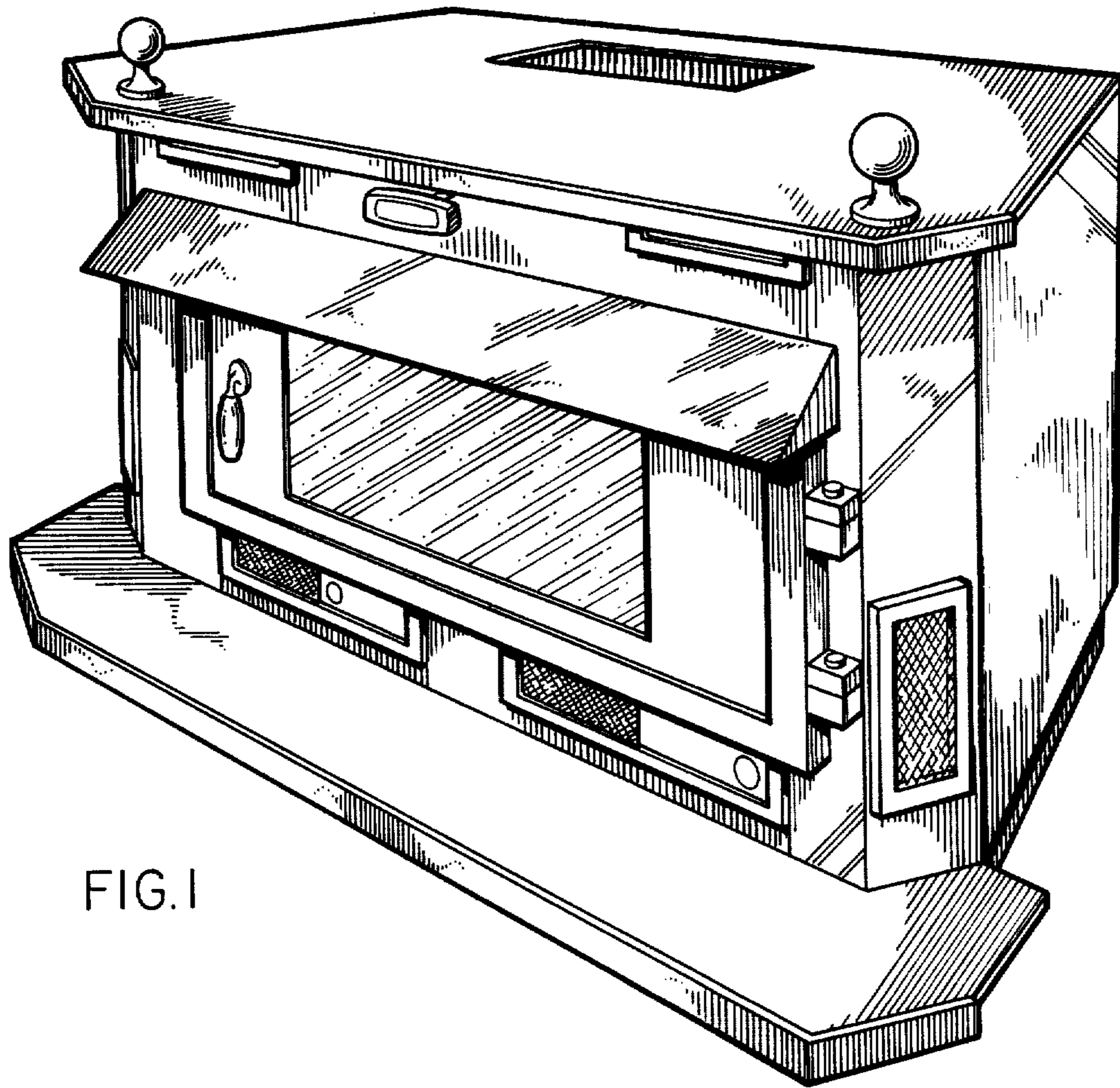


FIG. 1

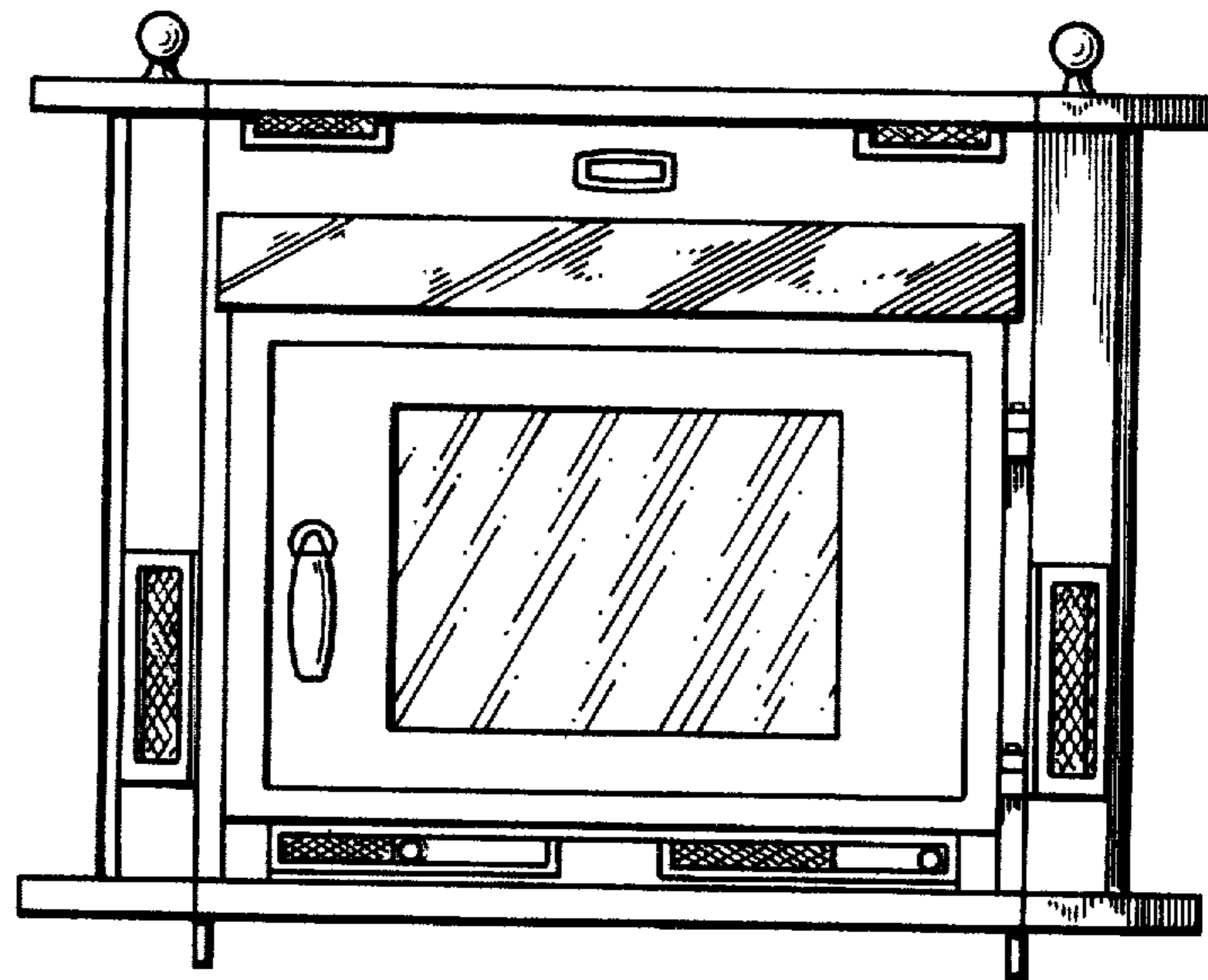


FIG. 2

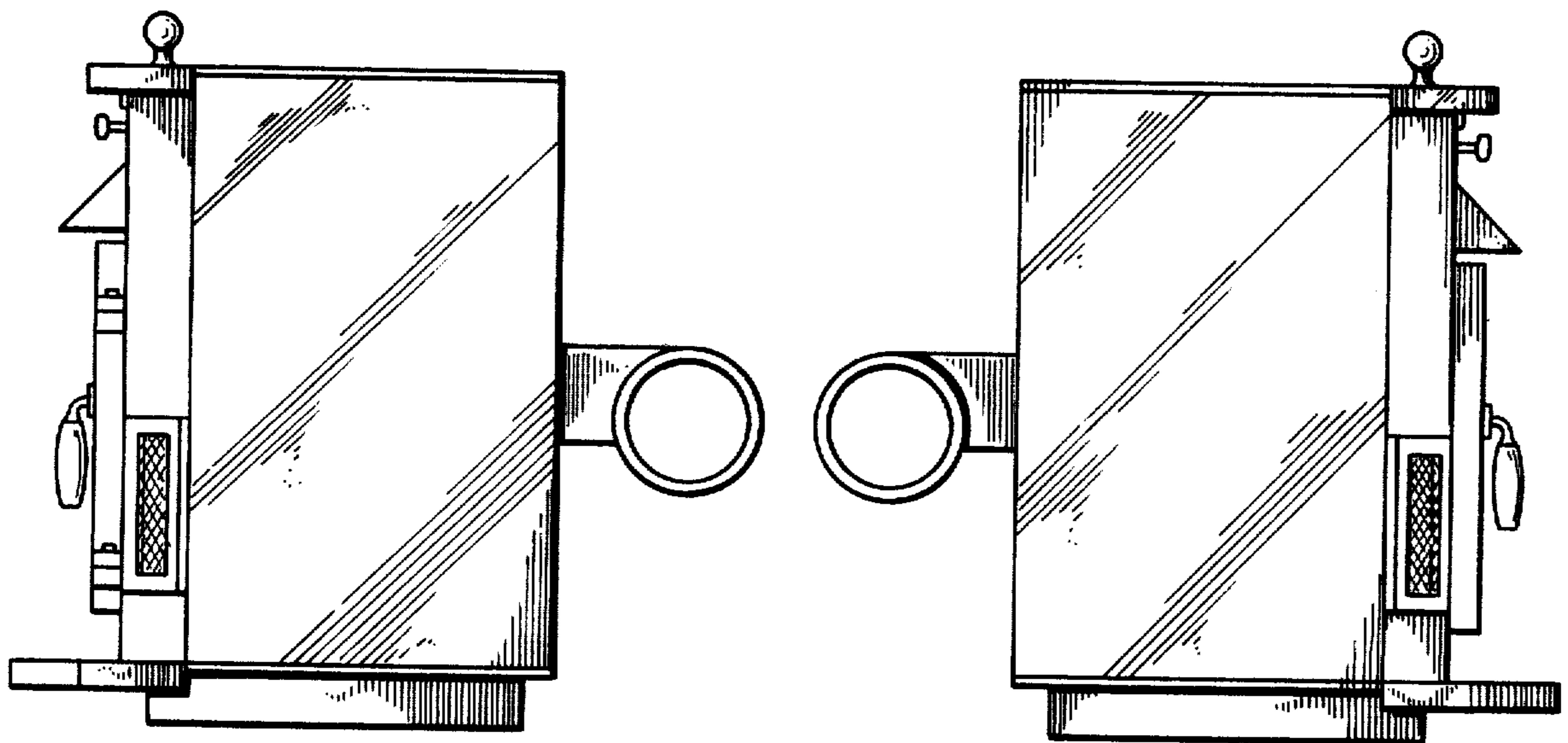


FIG. 3

FIG. 4

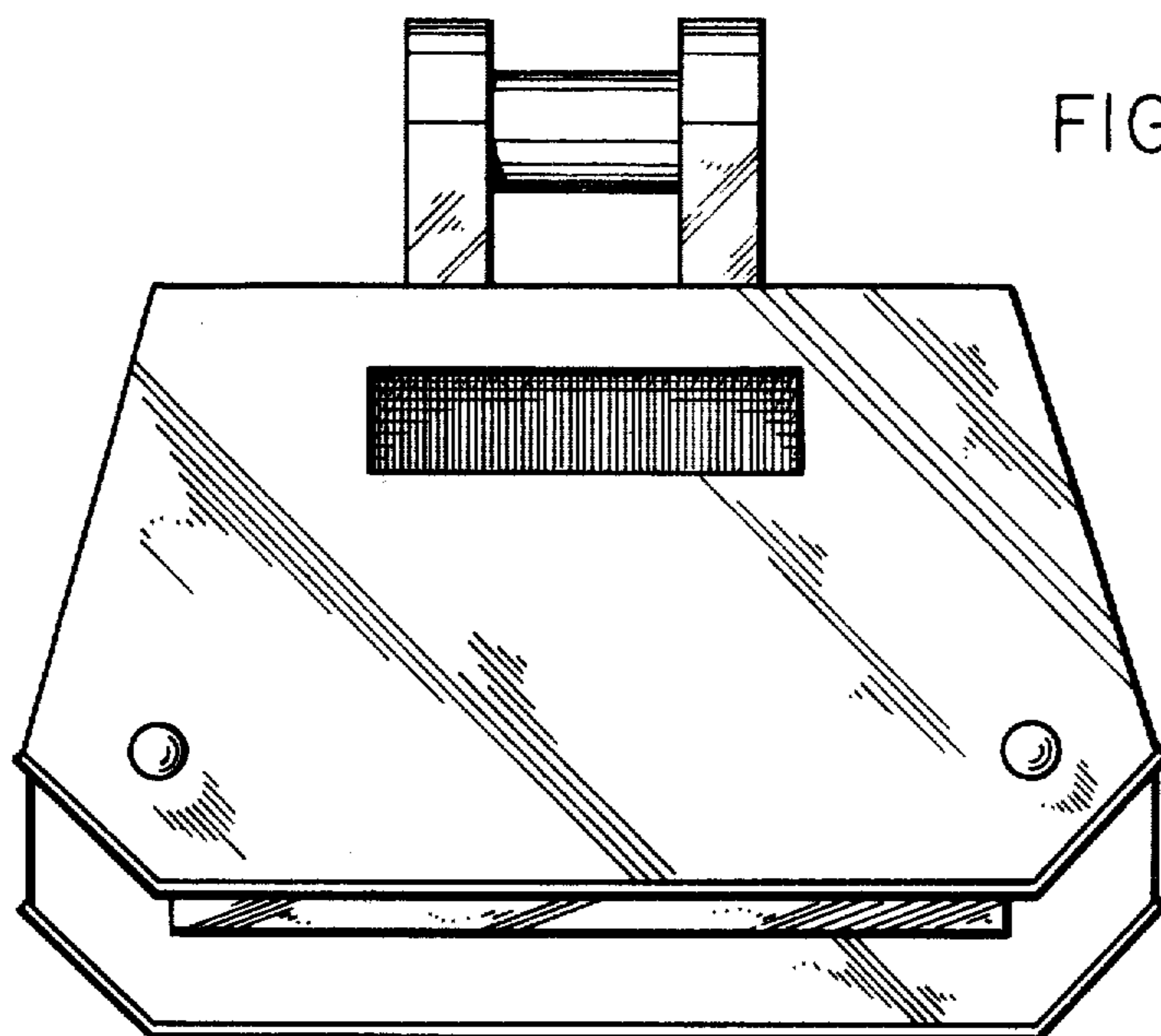


FIG. 6

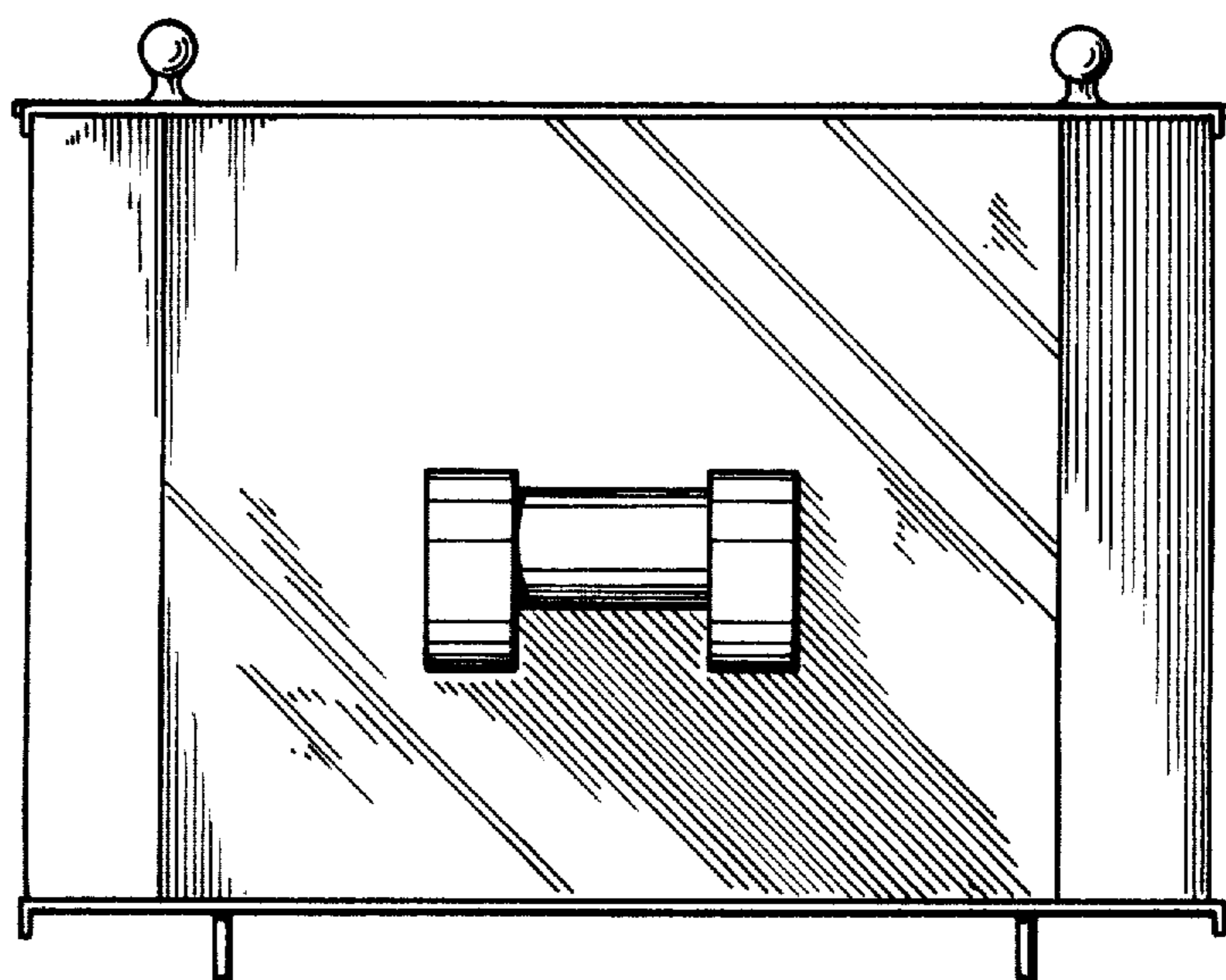


FIG. 5