

[54] STOVE
[76] Inventor: Wilbur E. Lilly, Rte. 2, Mt. Gilead, Ohio 43338

D. 250,660 12/1978 Choate D23/97
D. 252,405 7/1979 Heine D23/97
4,131,104 12/1978 Choate 126/60
4,154,211 5/1979 Choate 126/60

[**] Term: 14 Years

Primary Examiner—Catherine E. Kemper
Attorney, Agent, or Firm—Millard & Cox

[21] Appl. No.: 184,937

[22] Filed: Sep. 8, 1980

[57] CLAIM

The ornamental design for a stove, as shown.

[51] Int. Cl. D23-03

[52] U.S. Cl. D23/97

[58] Field of Search D23/92-97;
126/4, 6, 58, 60-66, 120, 121, 123, 126

DESCRIPTION

FIG. 1 is a front elevational view of a stove, showing my new design;

FIG. 2 is a top plan view thereof;

FIG. 3 is a rear elevational view thereof;

FIG. 4 is a bottom plan view thereof;

FIG. 5 is a left side elevational view thereof;

FIG. 6 is a right side elevational view thereof.

[56] References Cited

U.S. PATENT DOCUMENTS

D. 249,545 9/1978 Bullard, Sr. et al. D23/97
D. 250,040 10/1978 Sebastian D23/97

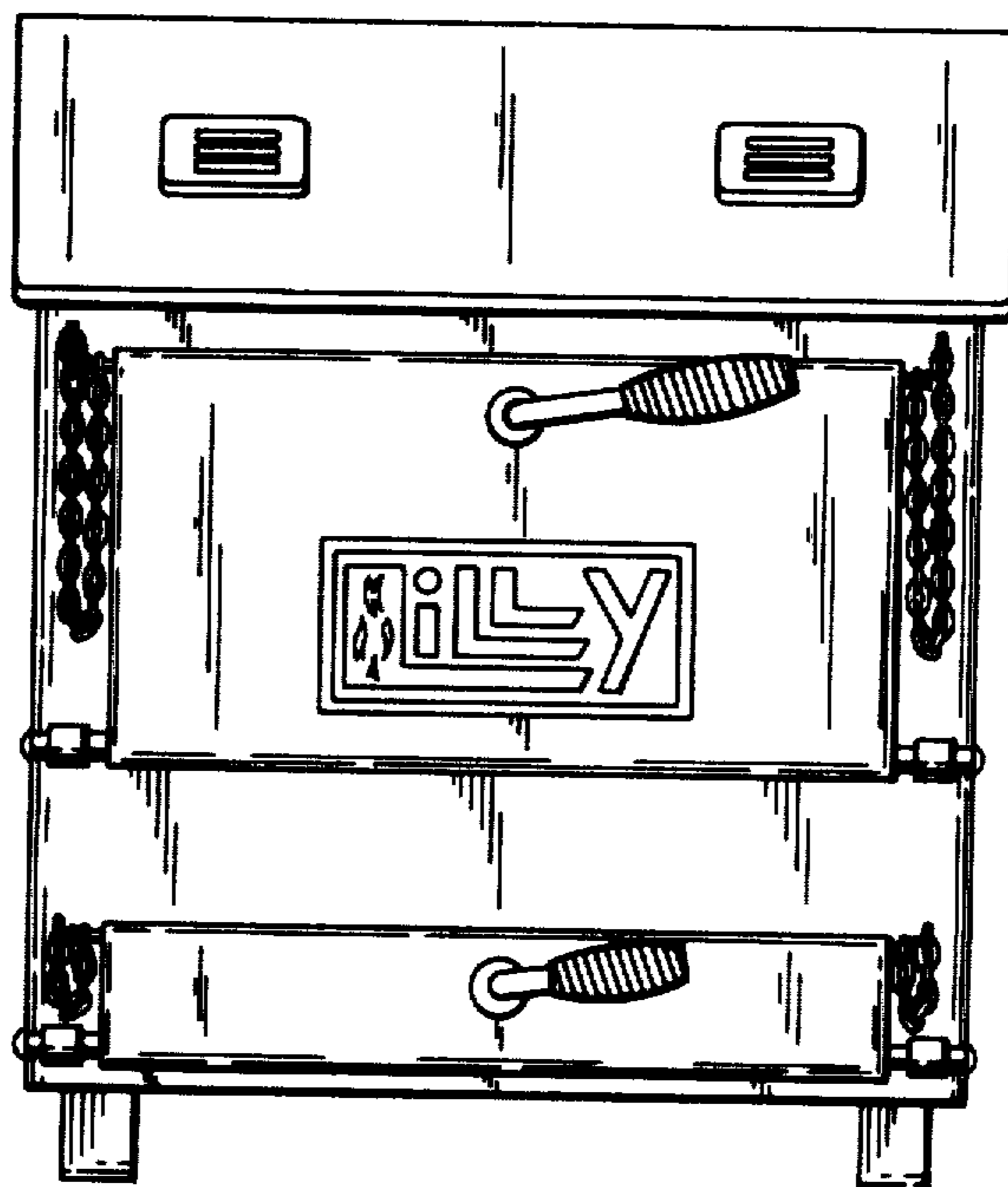


FIG. 1

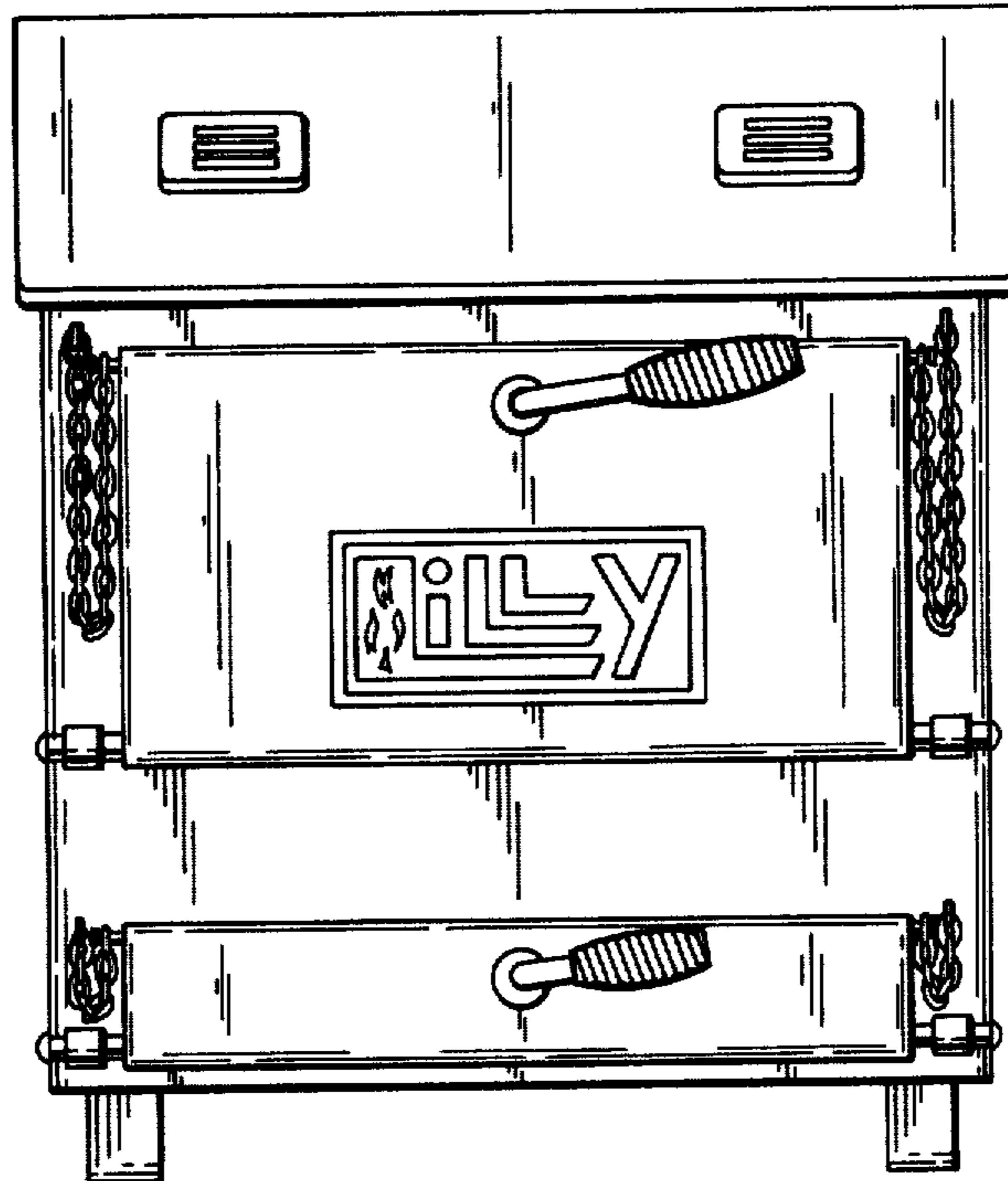


FIG. 2

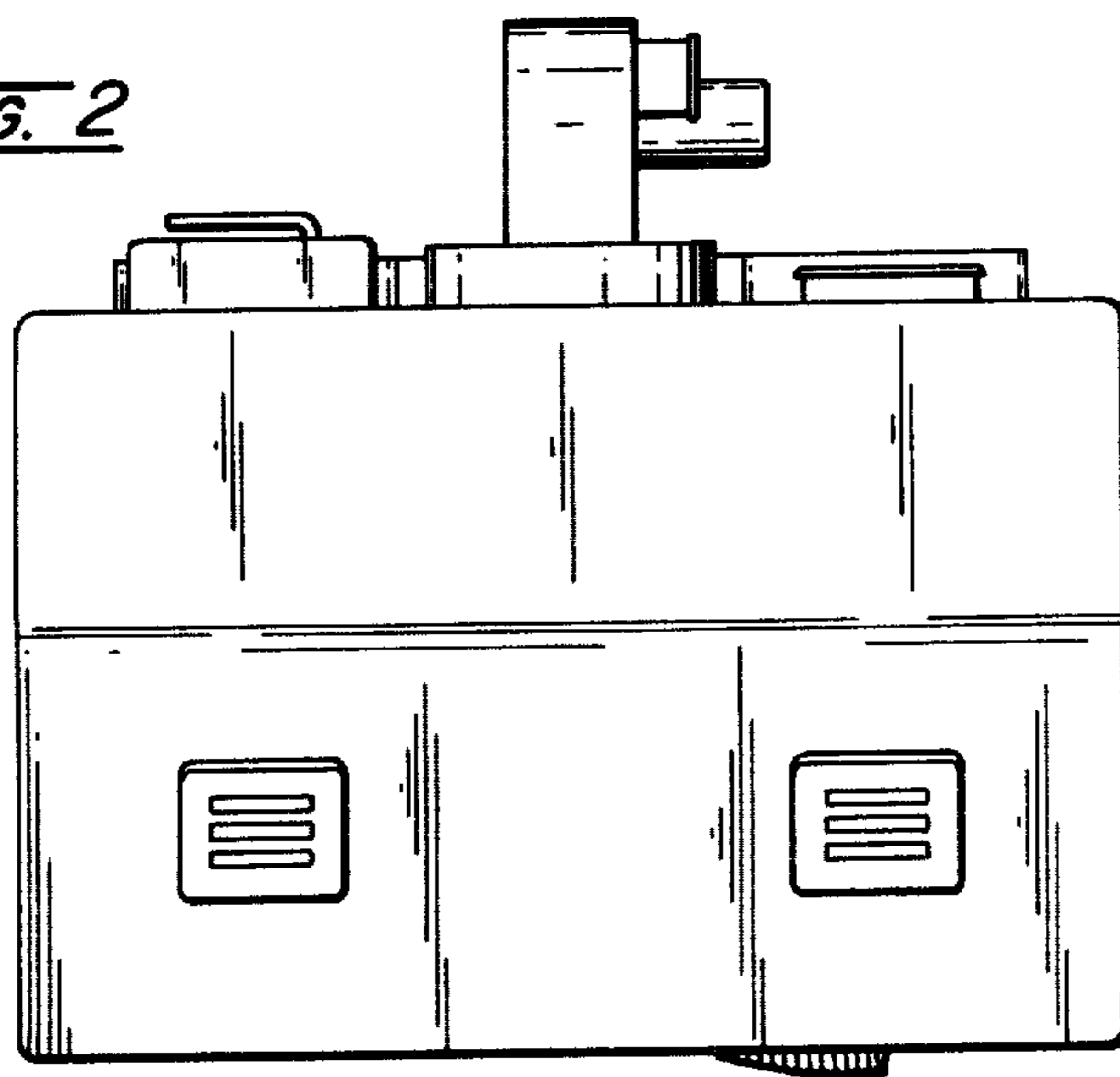


FIG. 3

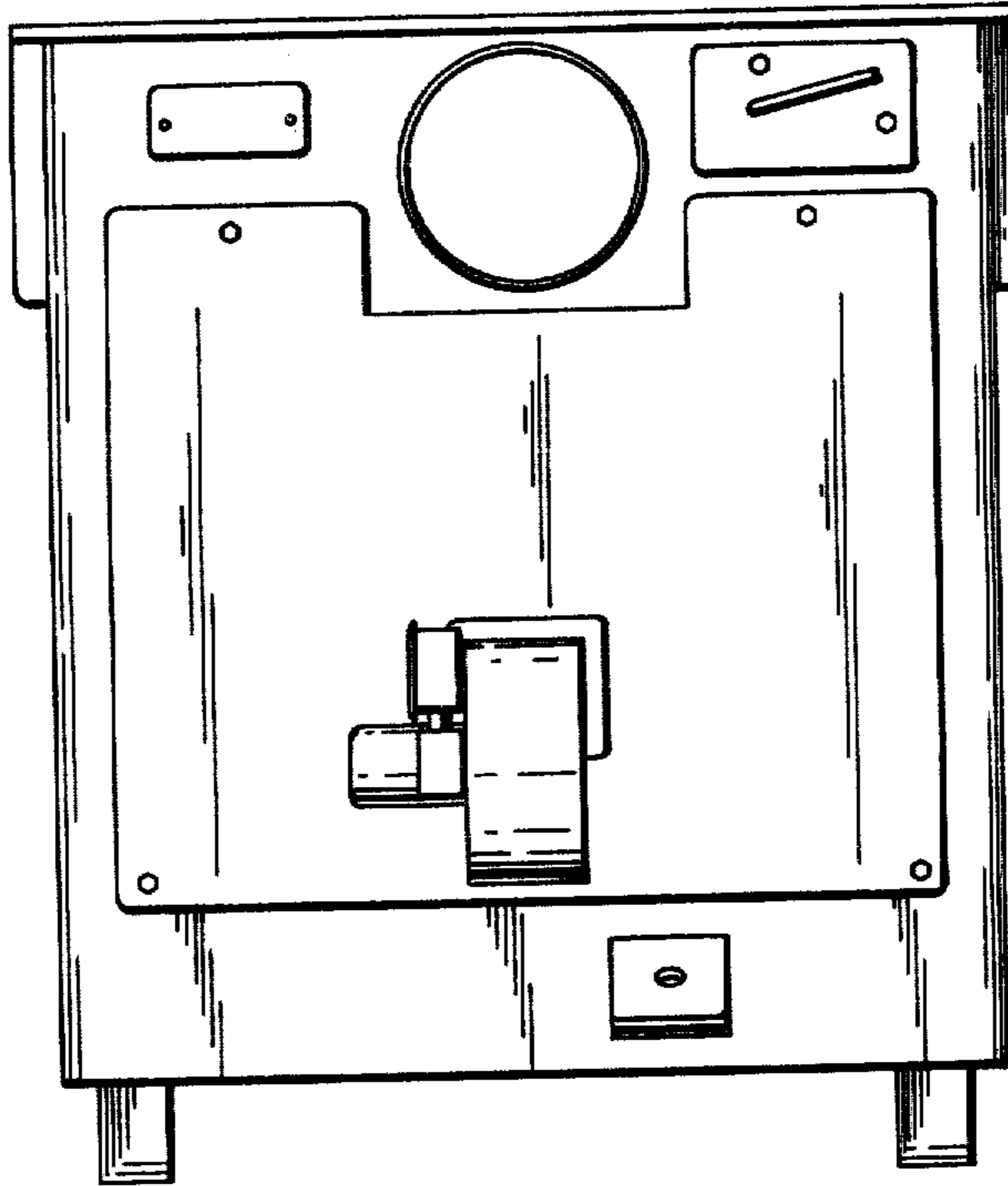


FIG. 4

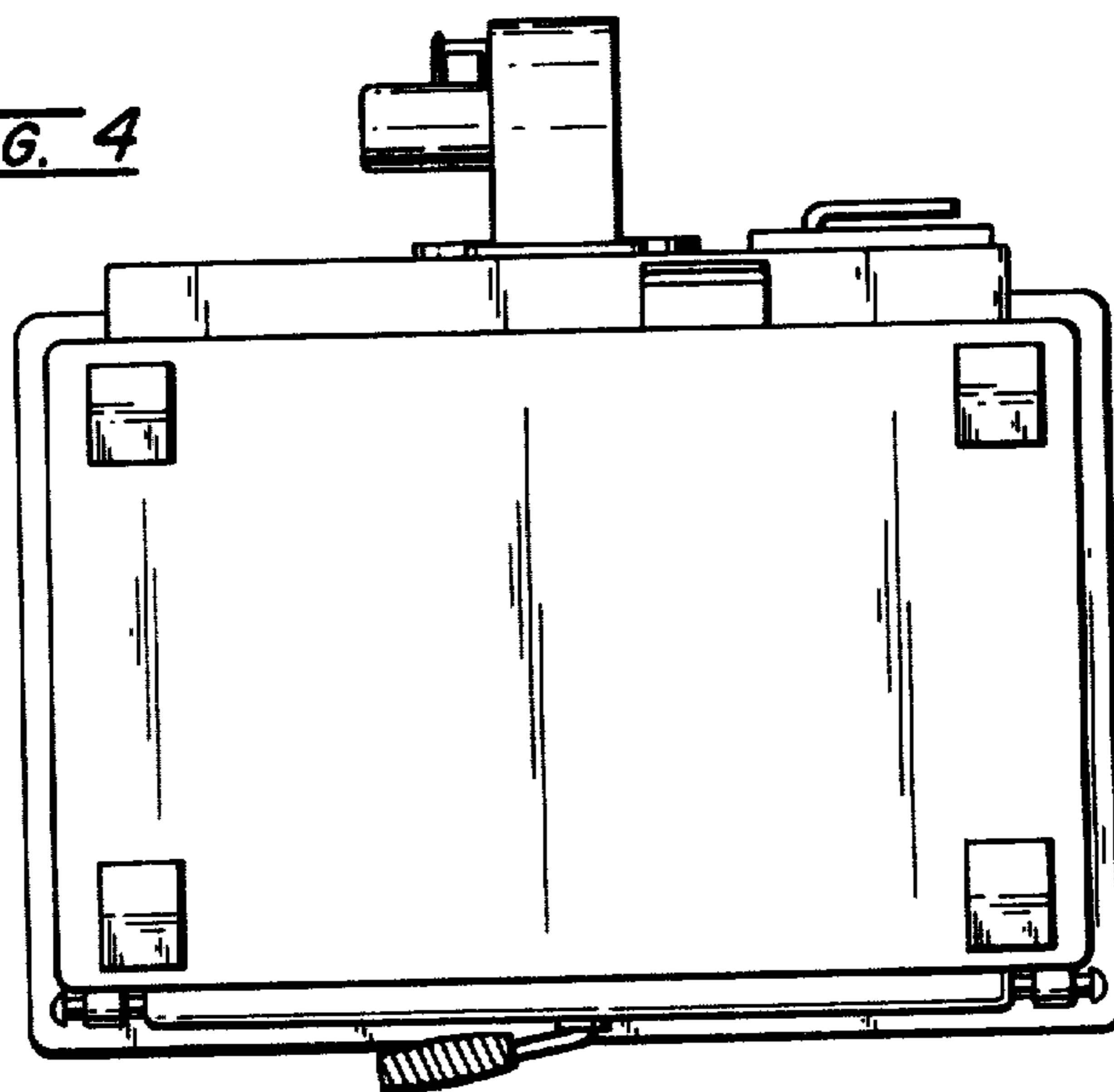


FIG. 5

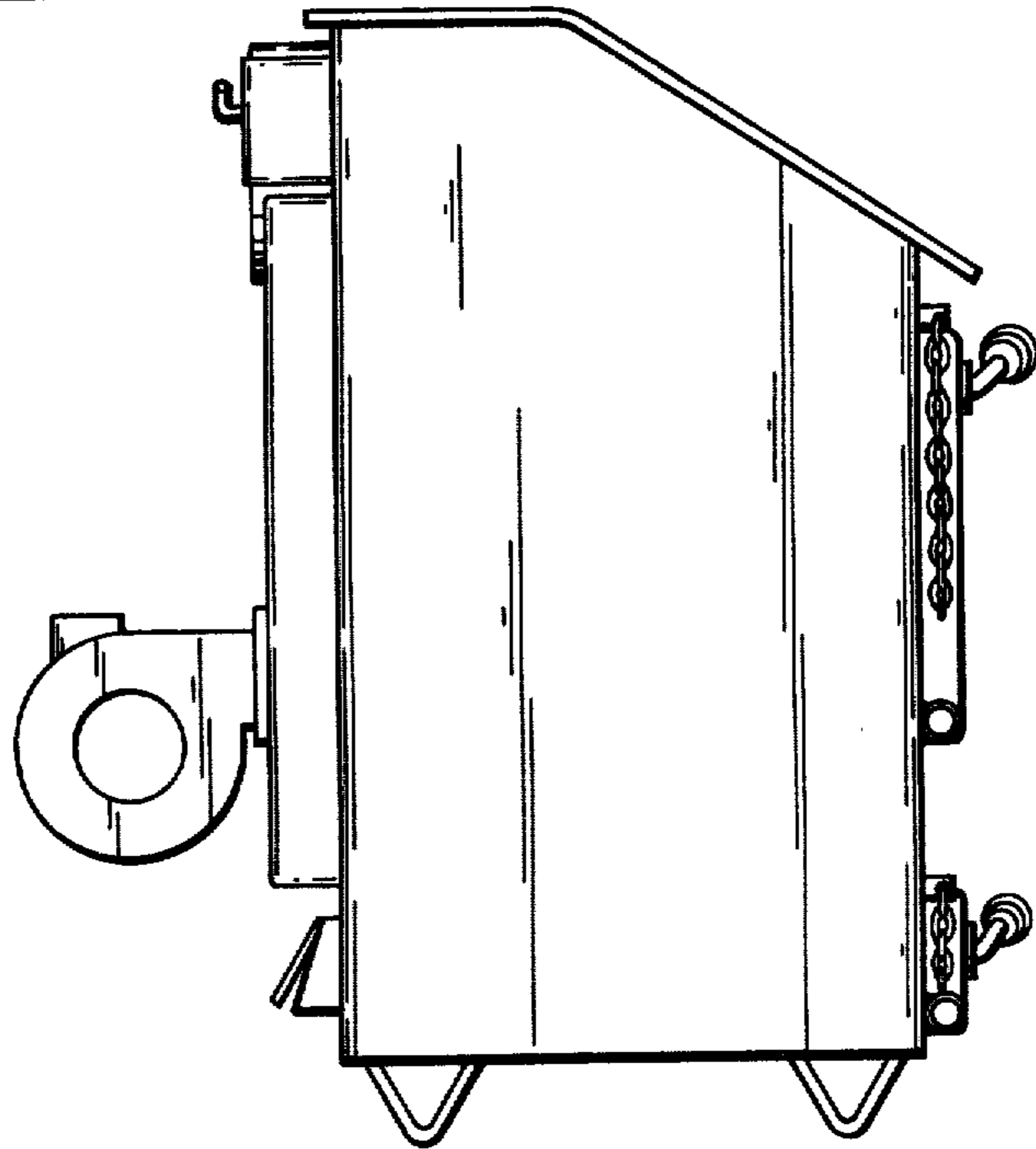


FIG. 6

