

[54] FIREPLACE INSERT

[75] Inventors: Donald Beck; Hugh N. Johnson, both of North Vancouver; Haydn Jones, Burnaby, all of Canada

[73] Assignee: M.G.F. Distributors Ltd., North Vancouver, Canada

[\*\*] Term: 14 Years

[21] Appl. No.: 164,201

[22] Filed: Jun. 30, 1980

[51] Int. Cl. .... D23-03  
[52] U.S. Cl. .... D23/94  
[58] Field of Search ..... D23/92-97;  
126/120, 121, 123, 126, 58, 60-66

[56]

References Cited

U.S. PATENT DOCUMENTS

D. 201,482 6/1965 Lever ..... D23/97  
D. 250,597 12/1978 Whipple ..... D23/97  
4,015,581 4/1977 Martenson ..... 126/121

Primary Examiner—Catherine E. Kemper  
Attorney, Agent, or Firm—Fetherstonhaugh & Co.

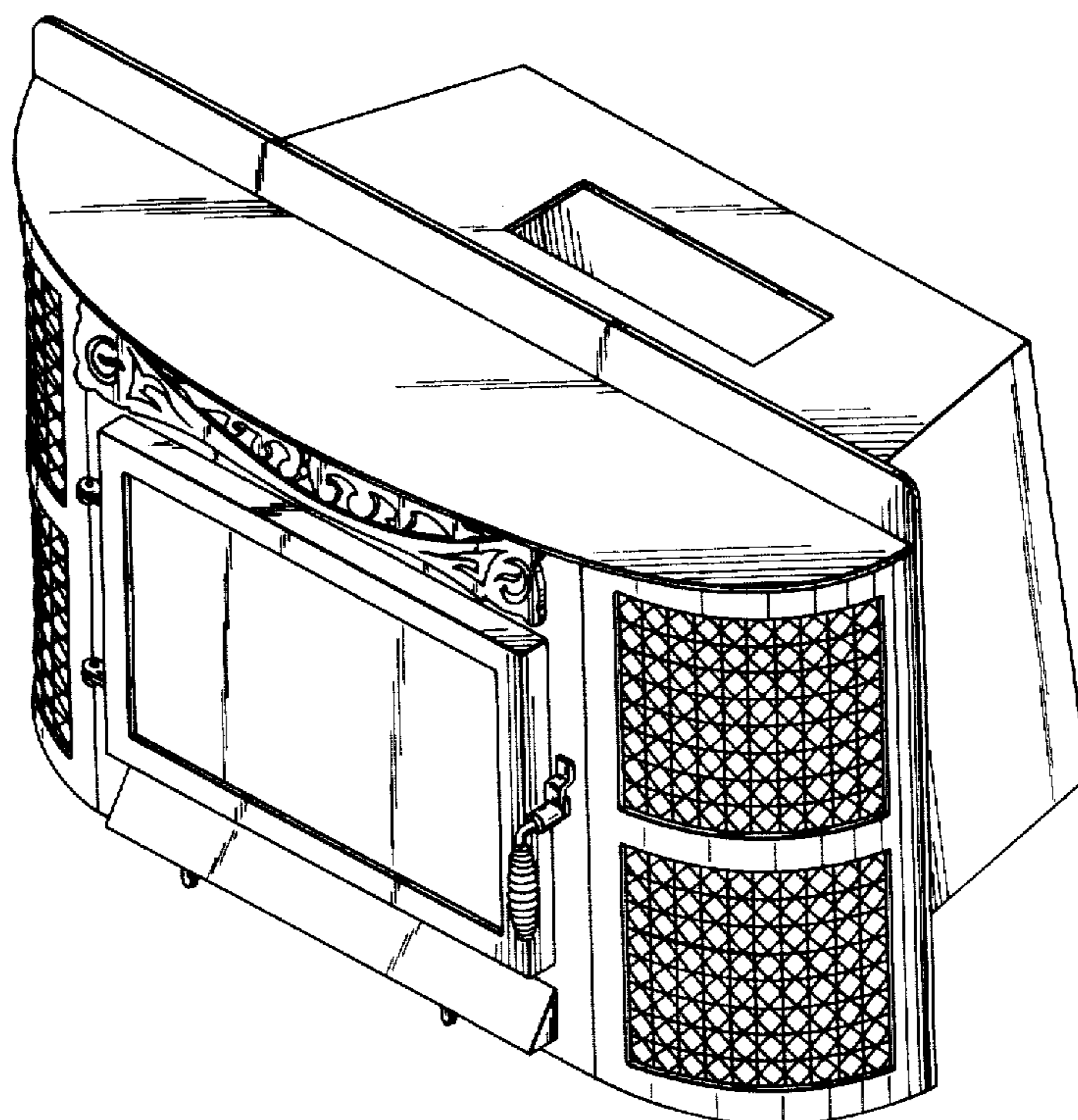
[57]

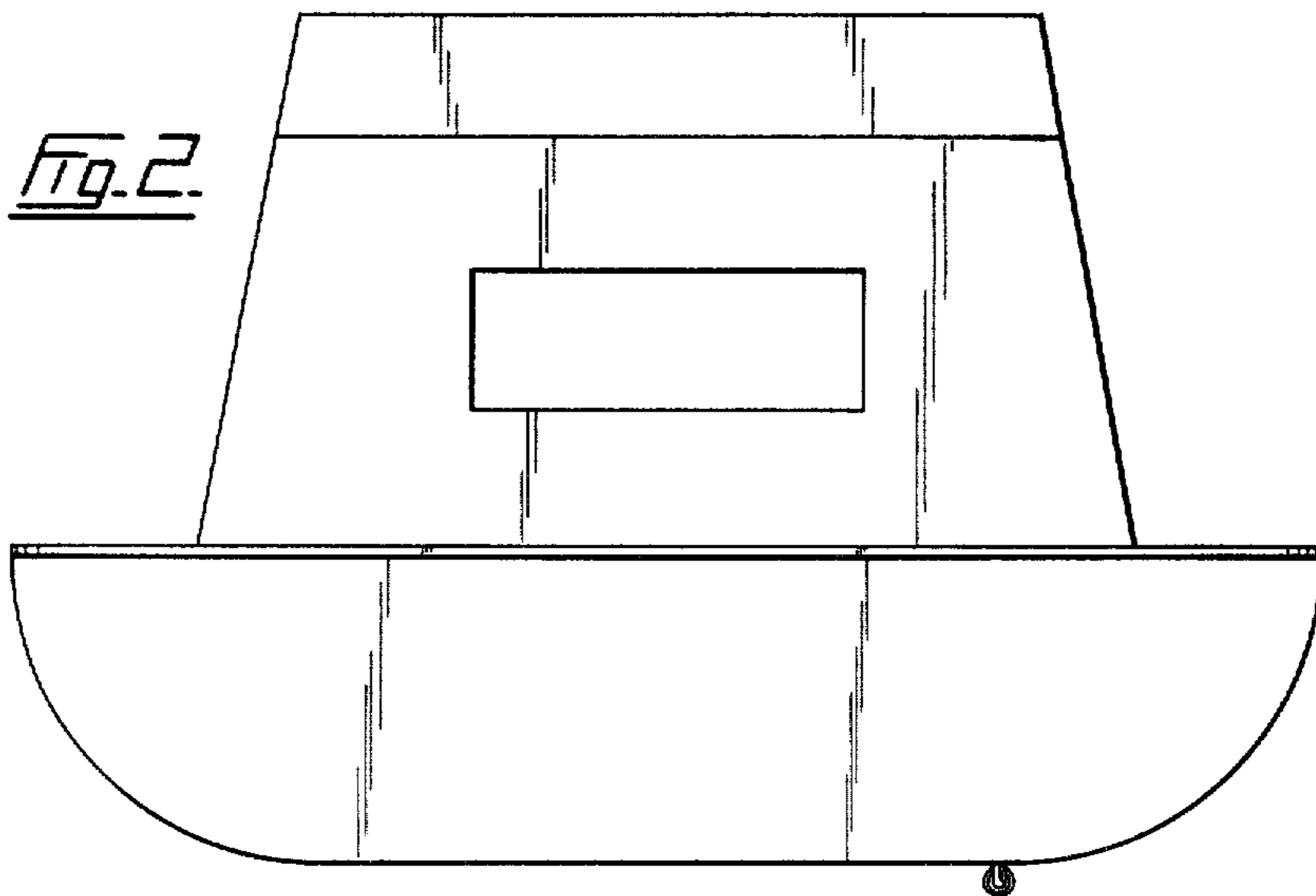
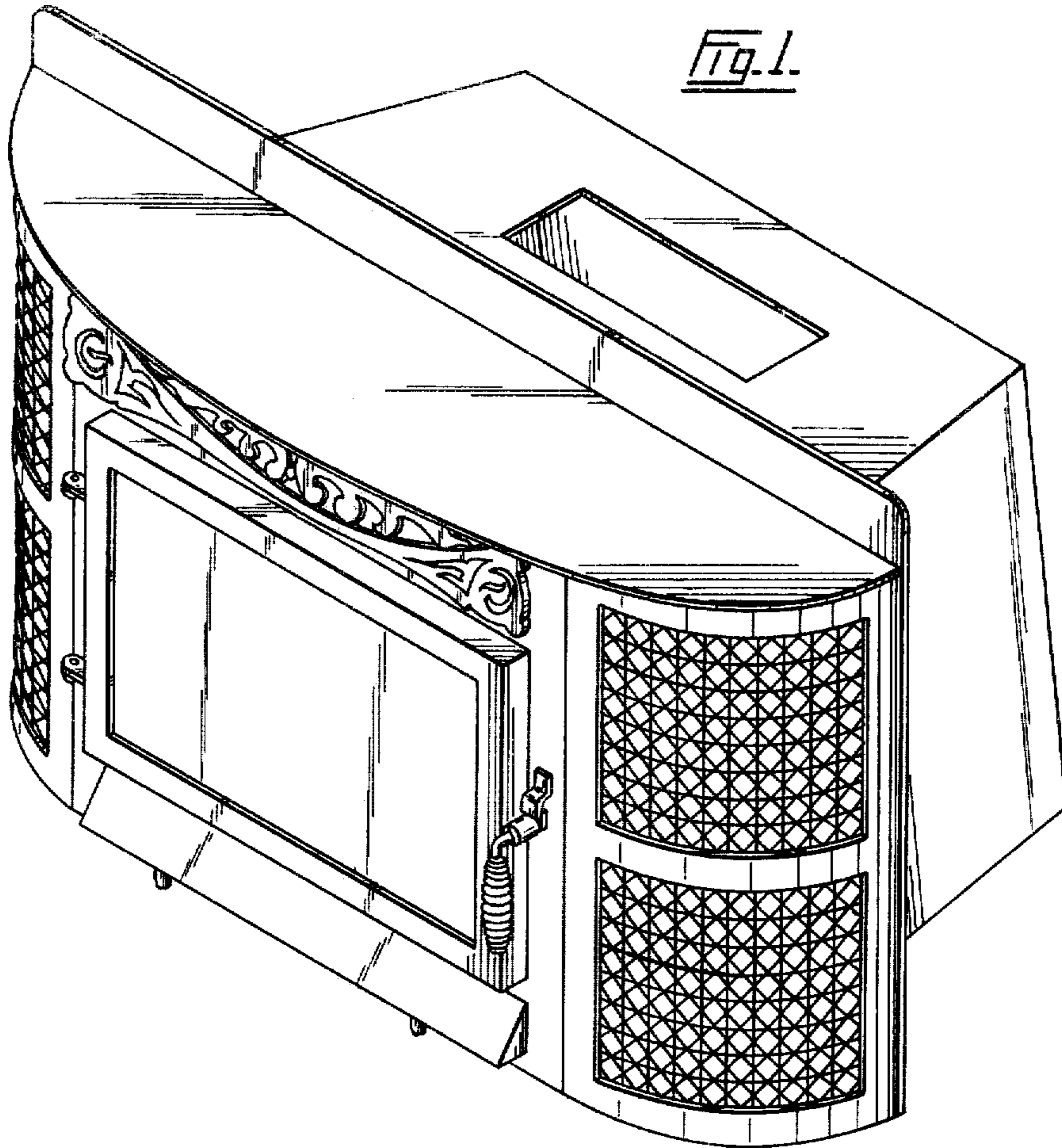
CLAIM

The ornamental design for a fireplace insert, as shown.

DESCRIPTION

FIG. 1 is a perspective view of a fireplace insert showing our new design;  
FIG. 2 is a top plan view thereof;  
FIG. 3 is a side elevational view taken from the right of FIG. 1;  
FIG. 4 is a side elevational view taken from the left of FIG. 1;  
FIG. 5 is a front elevational view thereof;  
FIG. 6 is a rear elevational view thereof;  
FIG. 7 is a bottom plan view thereof.





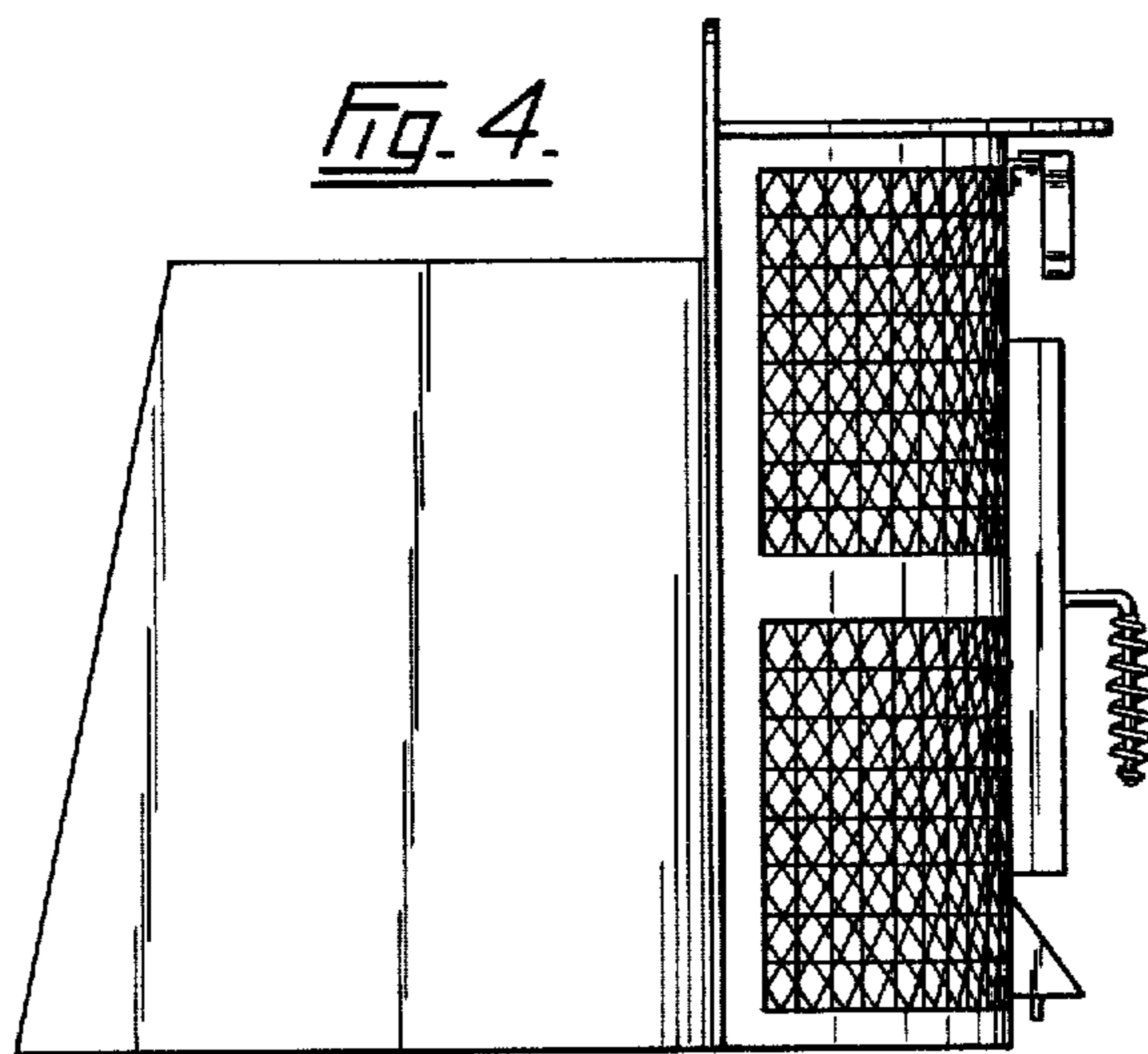
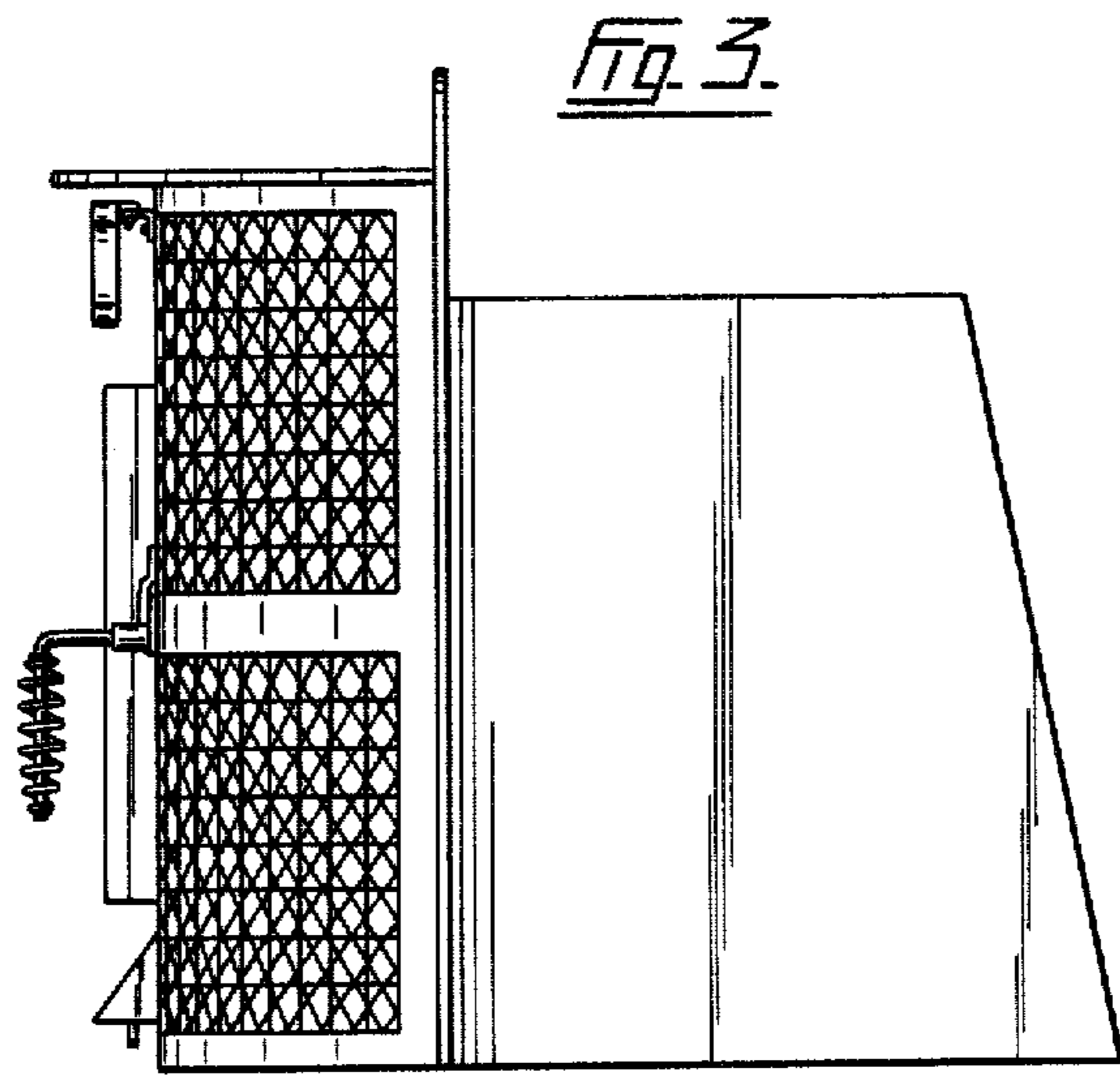


Fig. 5.

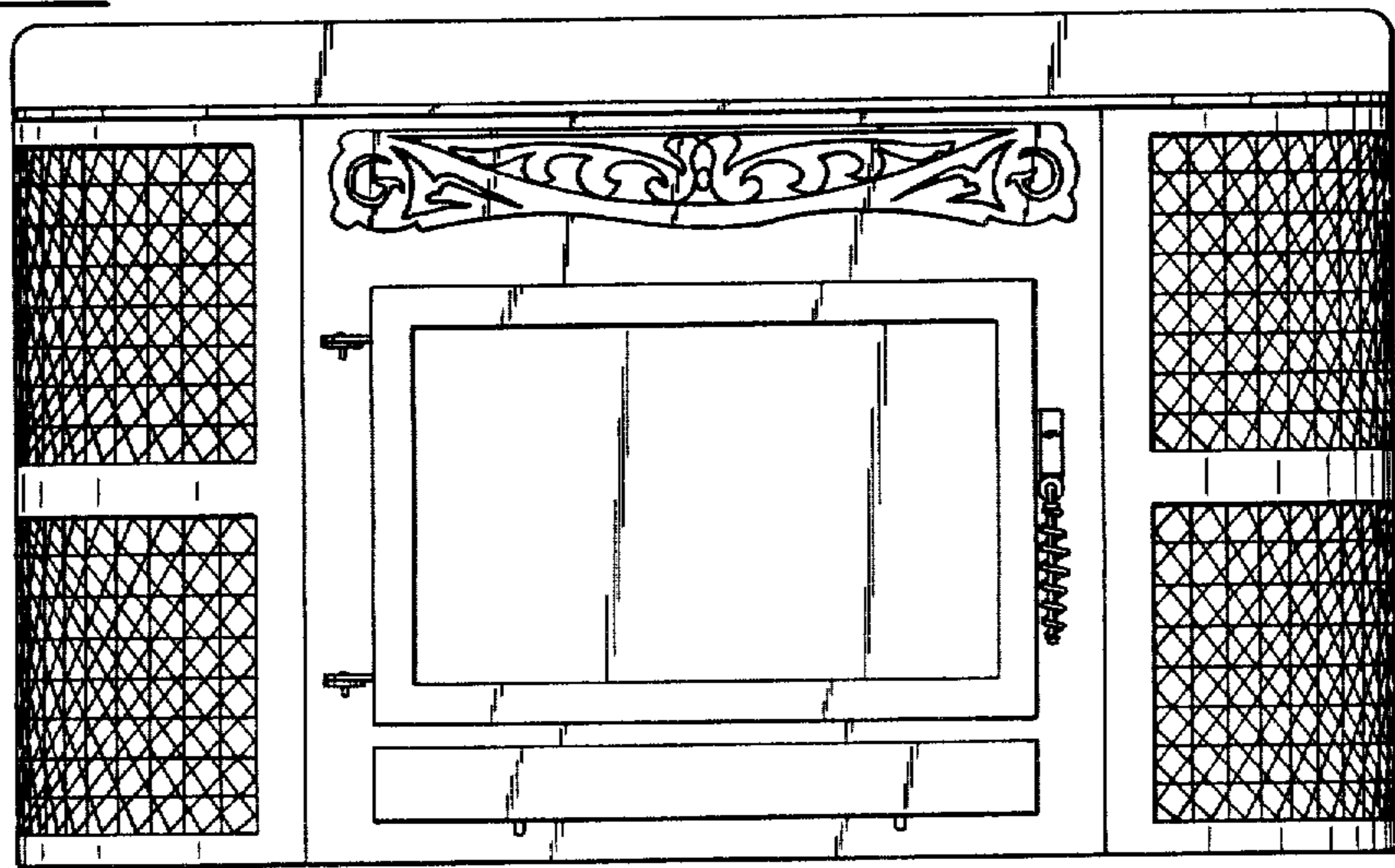


Fig. 6.

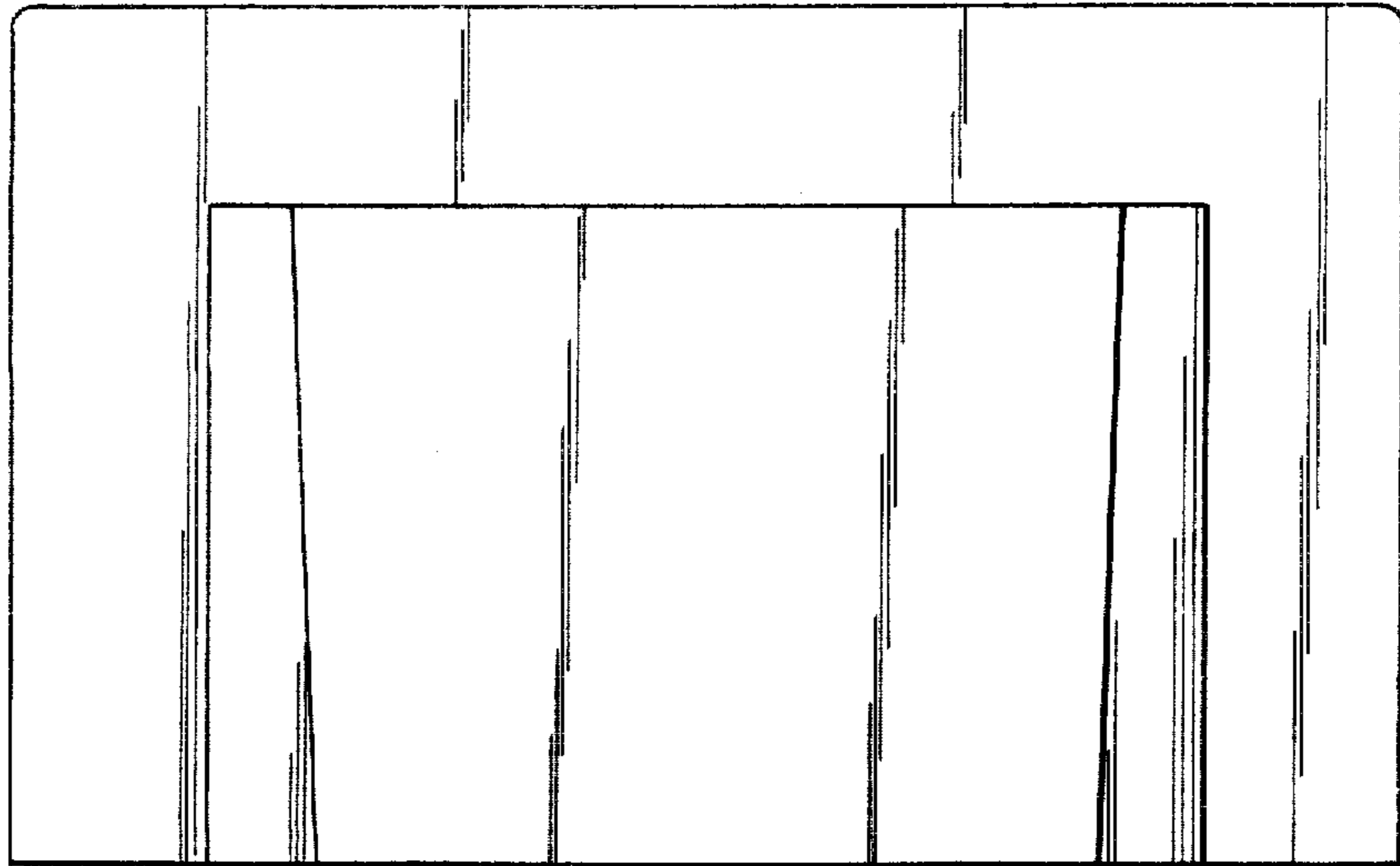


Fig. 7.

