

[54] ELECTRIC WATER HEATER

[75] Inventor: Amilcar F. Yamin, Sao Paulo, Brazil

[73] Assignee: Produtos Eletricos Corona Ltda.,  
Guarulhos, Brazil

[\*\*] Term: 14 Years

[21] Appl. No.: 32,216

[22] Filed: Apr. 23, 1979

[51] Int. Cl. .... D23-03

[52] U.S. Cl. .... D23/88

[58] Field of Search ..... D23/86, 88; 126/344,  
126/350; 219/280, 281, 296, 310, 316, 319, 323,  
338

[56] References Cited

U.S. PATENT DOCUMENTS

D. 111,185 9/1938 Morrow ..... D23/88  
D. 226,380 2/1973 Watts ..... D23/88

Primary Examiner—Catherine E. Kemper  
Attorney, Agent, or Firm—Blanchard, Flynn, Thiel,  
Boutell & Tanis

[57] CLAIM

The ornamental design for an electric water heater, as shown and described.

DESCRIPTION

FIG. 1 is a right side elevational view of an electric water heater, showing my new design, the left side being a mirror image thereof;

FIG. 2 is a bottom plan view thereof;

FIG. 3 is a top plan view thereof;

FIG. 4 is a front elevational view thereof; and

FIG. 5 is a rear elevational view thereof.

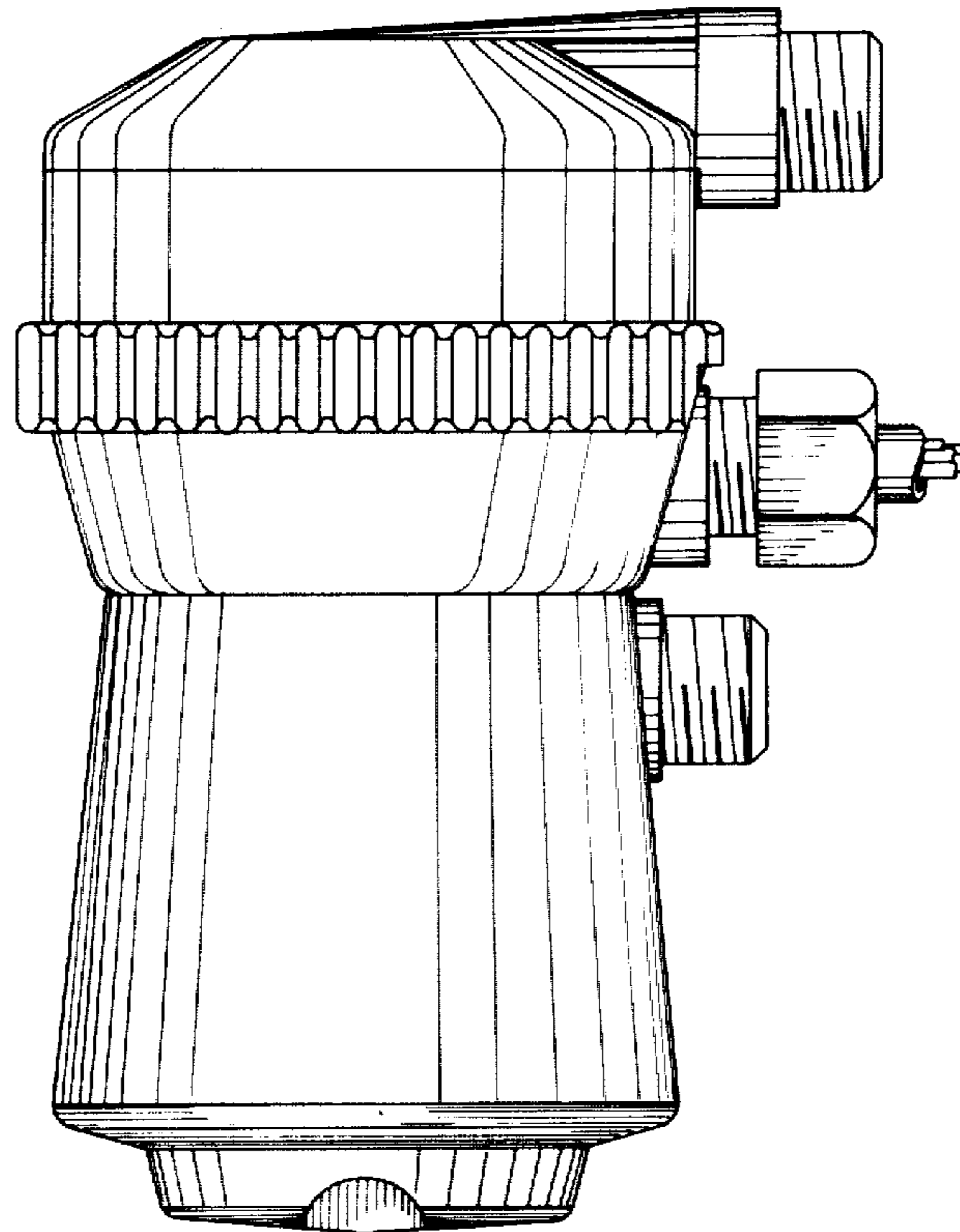
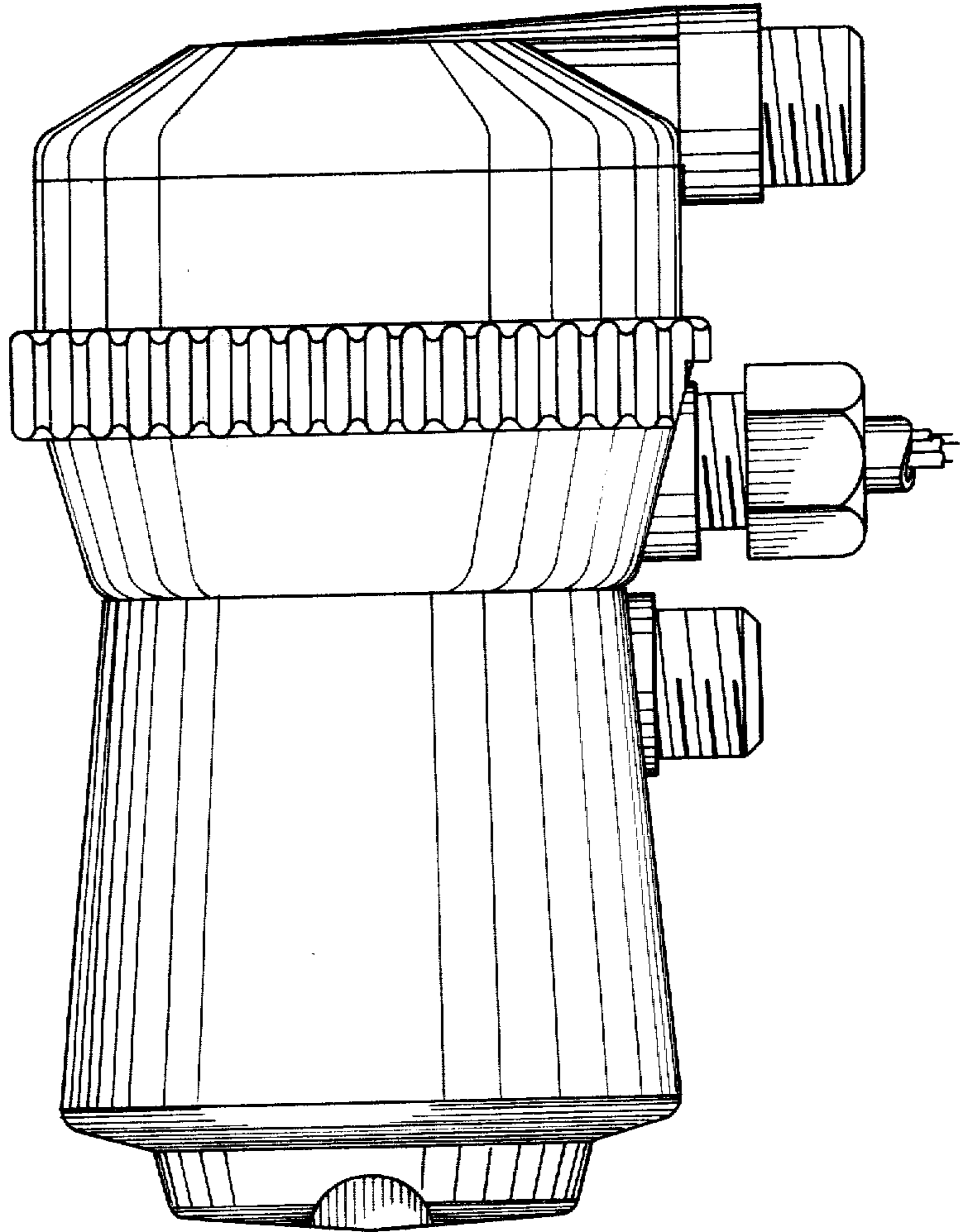


FIG. 1



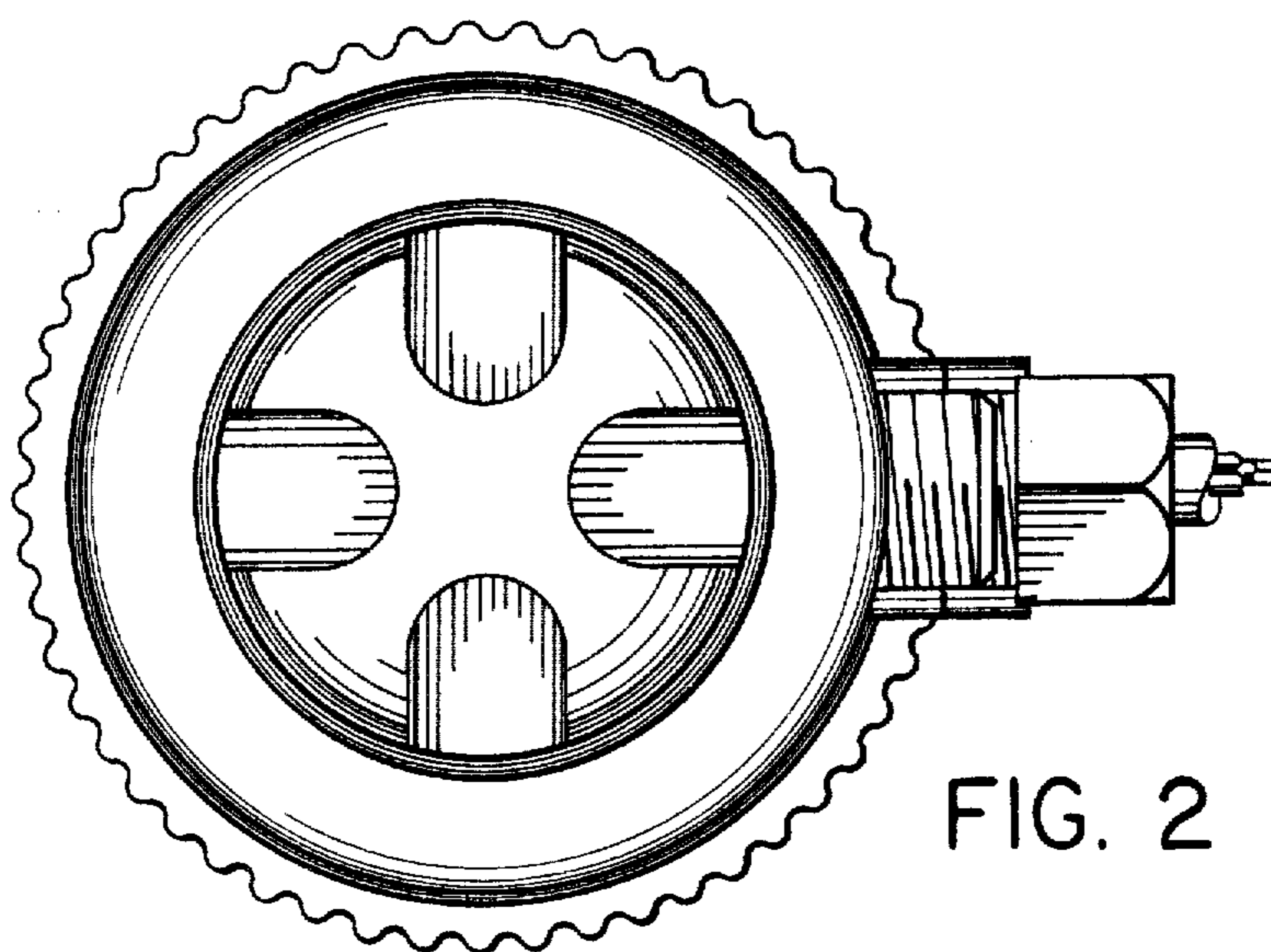


FIG. 2

FIG. 3

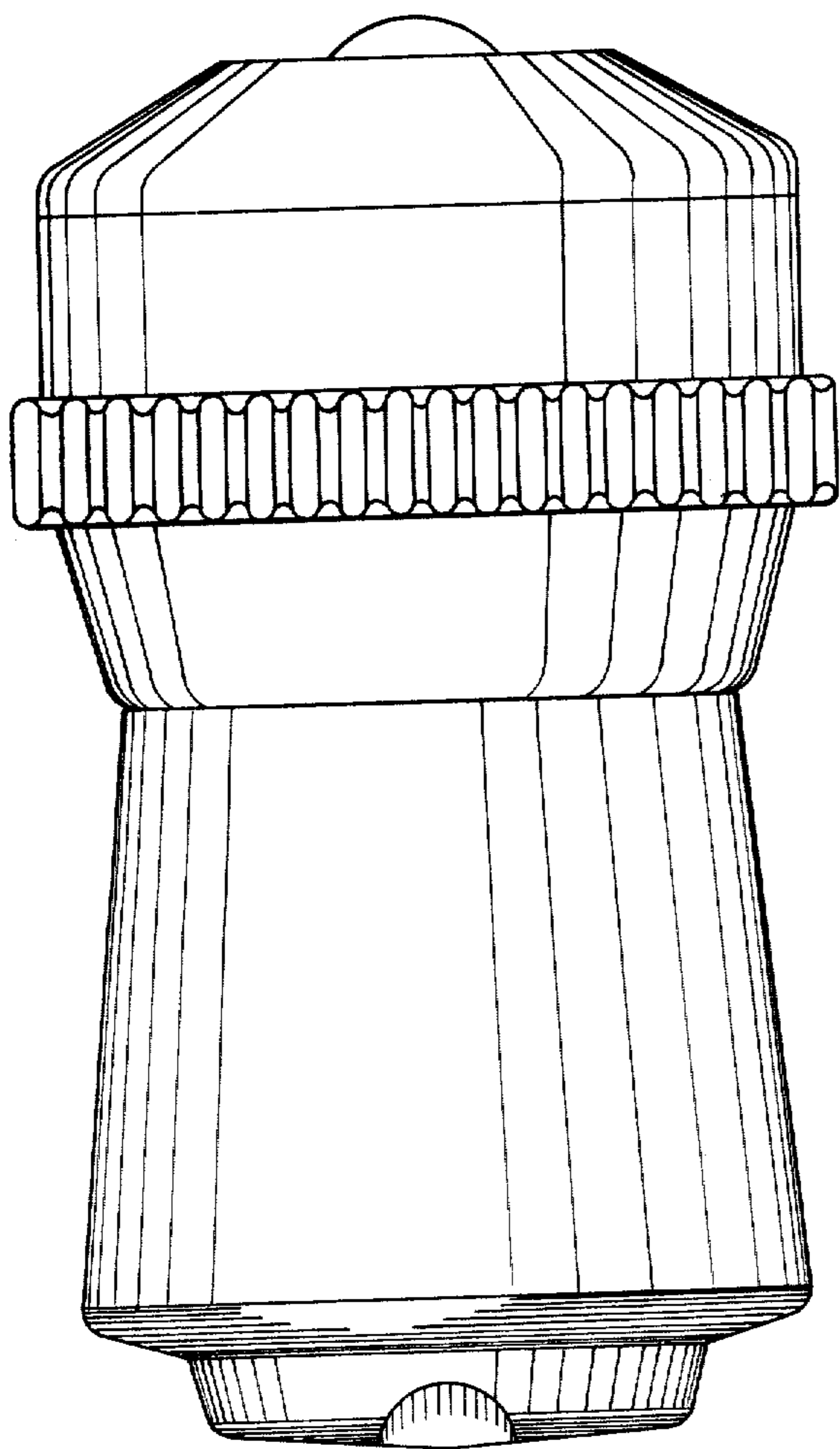
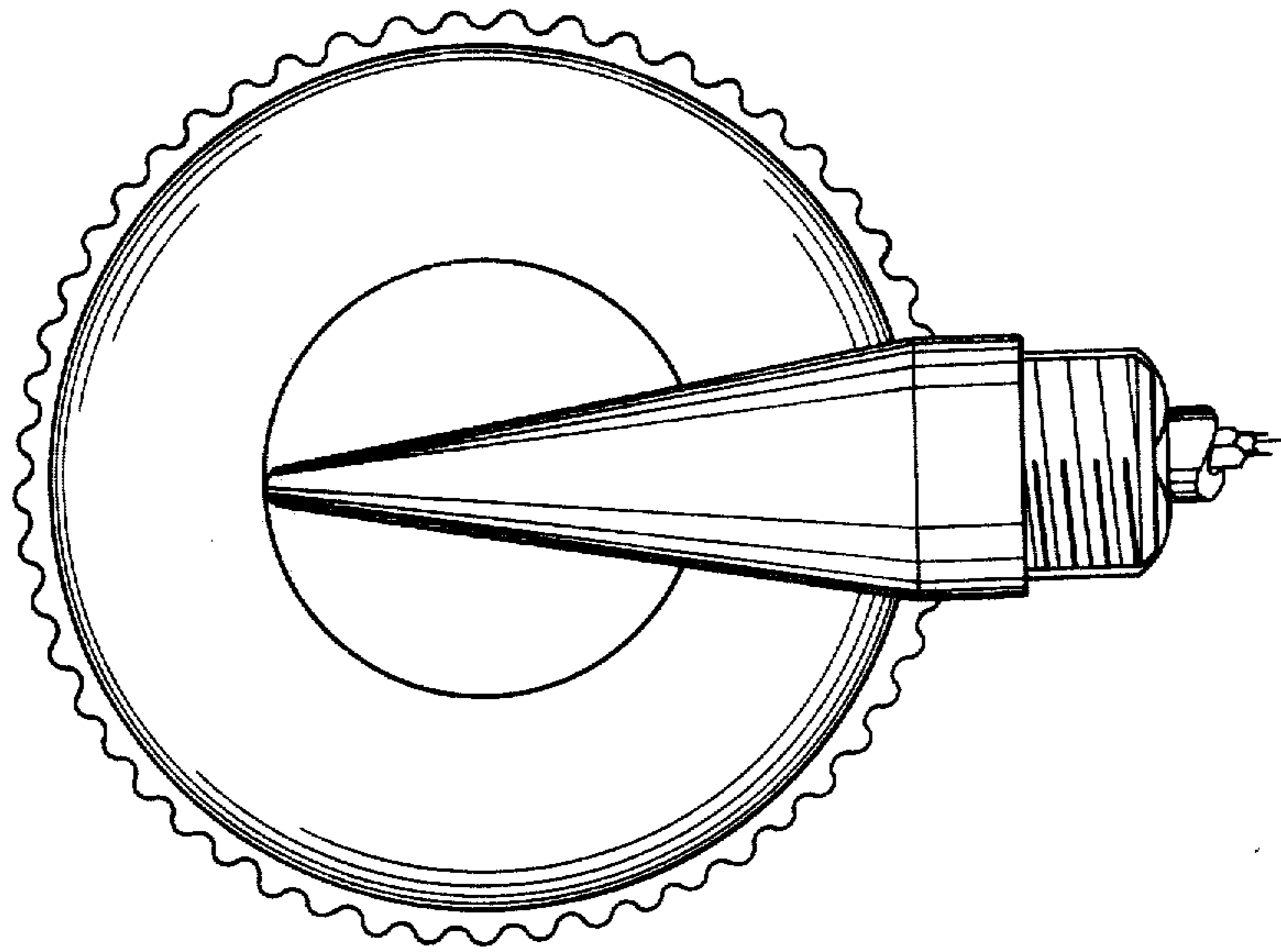


FIG. 4

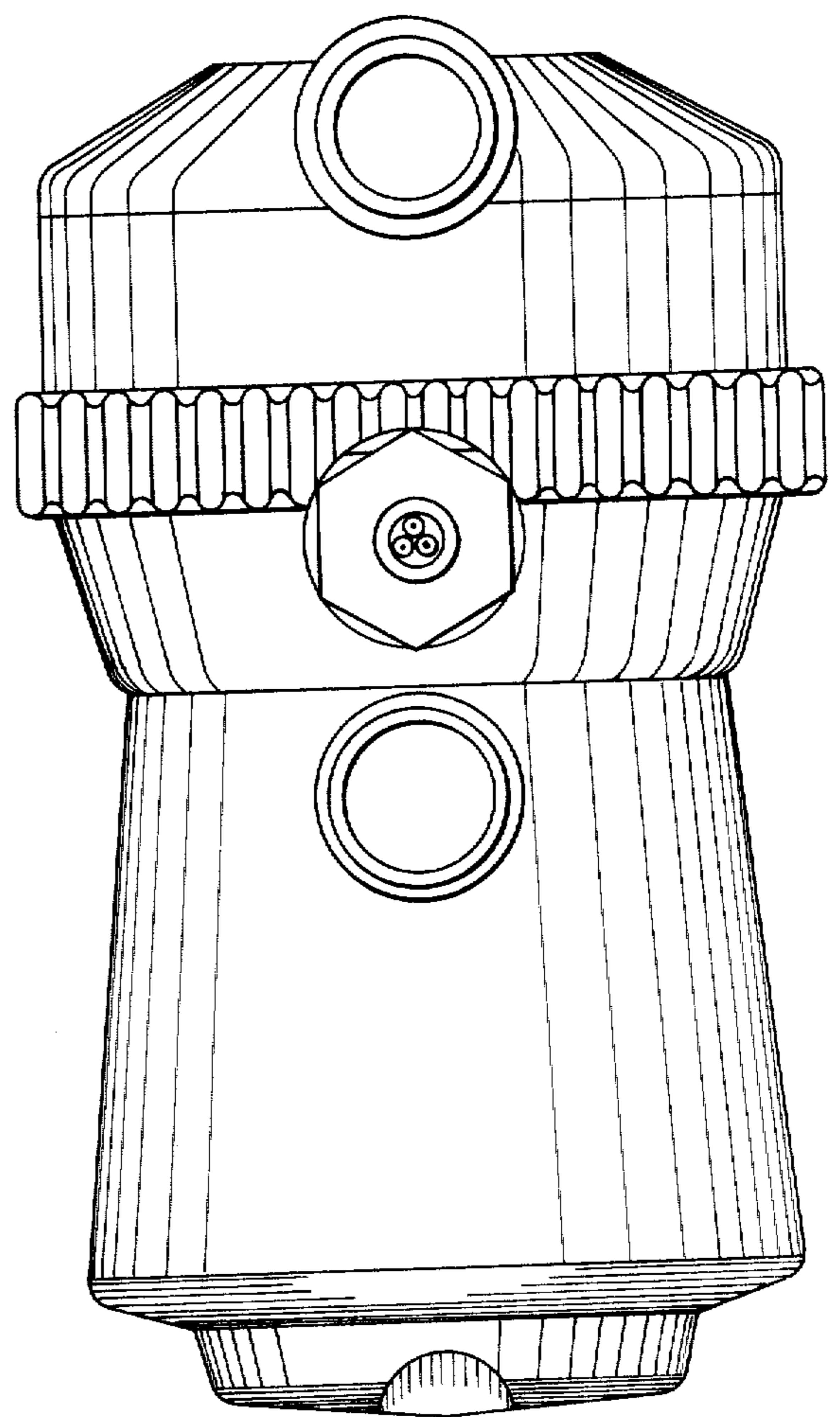


FIG. 5