

[54] **COMBINED WATER CLOSET AND LAVATORY**

[76] Inventor: Ernest Keller, 605 Water St., New York, N.Y. 10002

[**] Term: 14 Years

[21] Appl. No.: 130,549

[22] Filed: Mar. 14, 1980

[51] Int. Cl. D23-02

[52] U.S. Cl. D23/49

[58] Field of Search D23/48-50;
4/663, 664, 665, DIG. 15

[56] **References Cited**

U.S. PATENT DOCUMENTS

D. 186,266	10/1959	Amery	D23/49
D. 219,341	12/1970	Jacoby et al.	D23/49
D. 233,149	10/1974	Campbell	D23/49
D. 251,065	2/1979	Campbell	D23/49
D. 252,098	6/1979	Morris et al.	D23/49
2,355,615	8/1944	Helmuth	4/663
2,860,348	11/1958	McClenahan	4/665
3,458,871	8/1969	DiValcervo	4/664
3,829,906	8/1974	McPhee	4/664

4,030,145	6/1977	Rowan	4/664
4,089,073	5/1978	Campbell	4/665

OTHER PUBLICATIONS

Super Secur Stainless Steel Ware brochure, ©1970, p. 2, "Model SS-350".
Aluminum Plumbing Fixture Corp. brochure, ©1969, p. 3, "A-350" item.

Primary Examiner—James R. Largen
Attorney, Agent, or Firm—Posnack, Roberts, Cohen & Spieccens

[57] **CLAIM**

The ornamental design for a combined water closet and lavatory, substantially as shown and described.

DESCRIPTION

FIG. 1 is a perspective view of a lavatory module embodying my design;
FIG. 2 is a front elevational view thereof;
FIG. 3 is a top plan view thereof;
FIG. 4 is a rear elevational view thereof;
FIG. 5 is a left side elevational view thereof;
FIG. 6 is a right side elevational view thereof; and
FIG. 7 is a bottom plan view thereof.

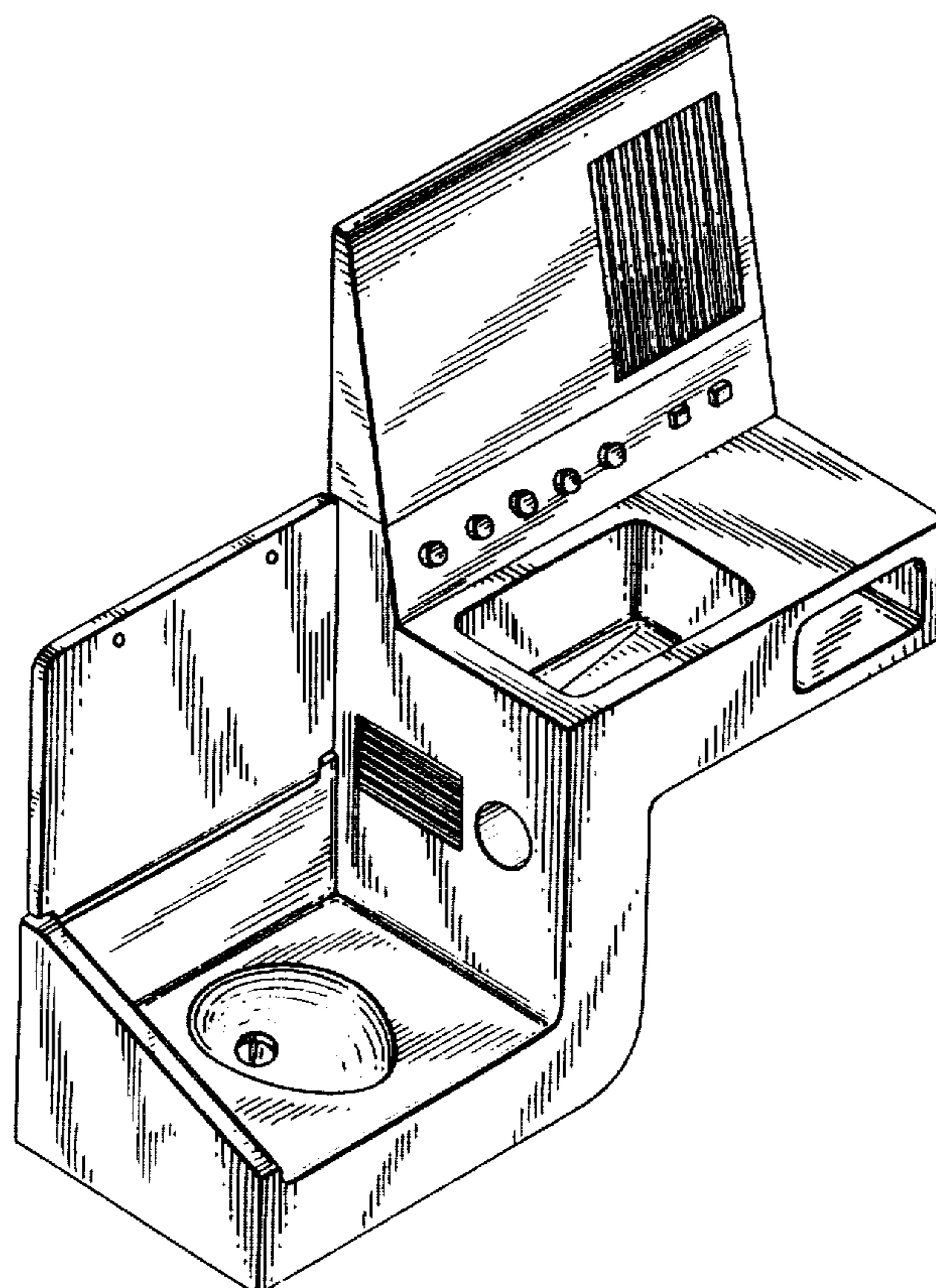


FIG. 2

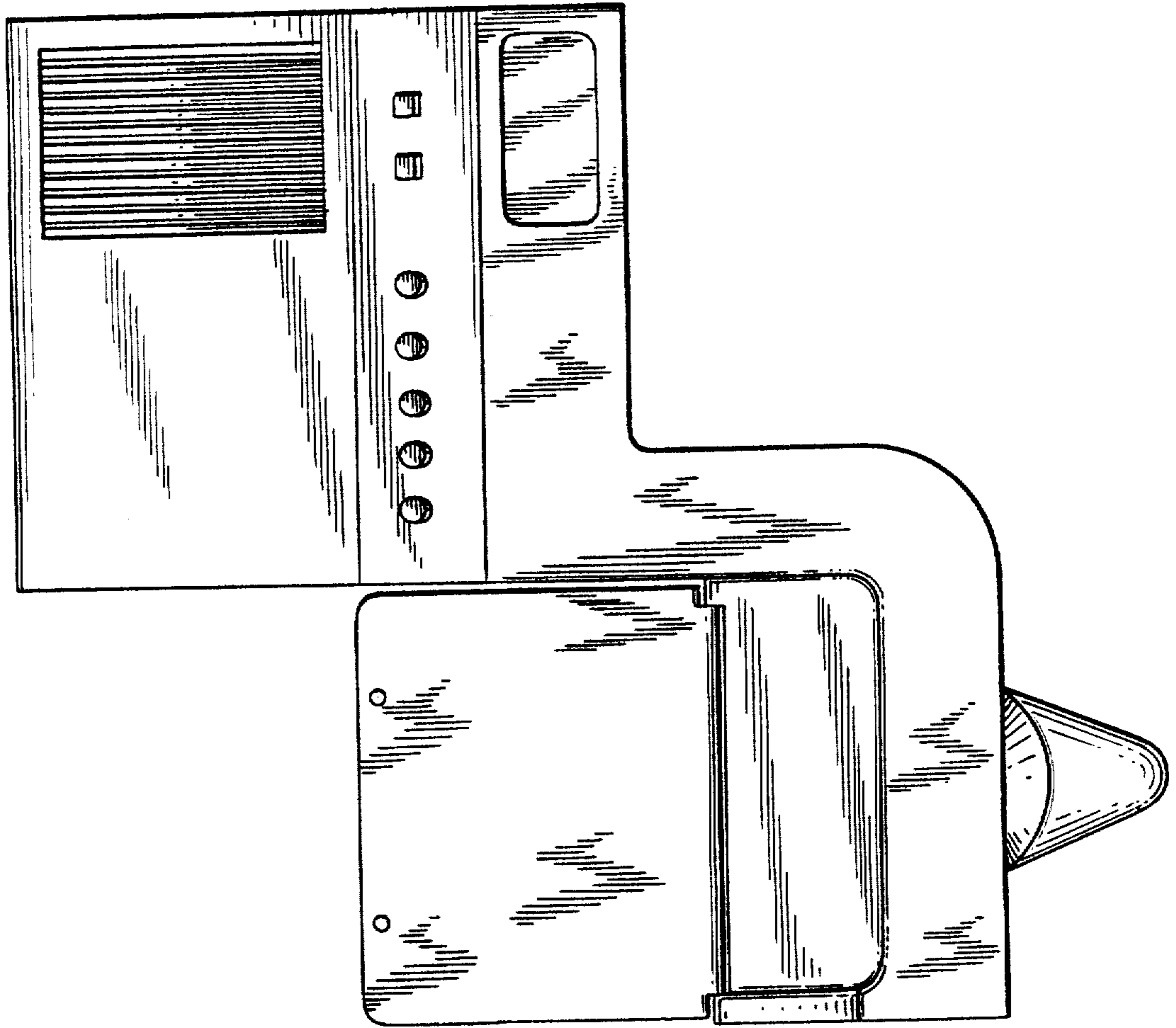


FIG. 1

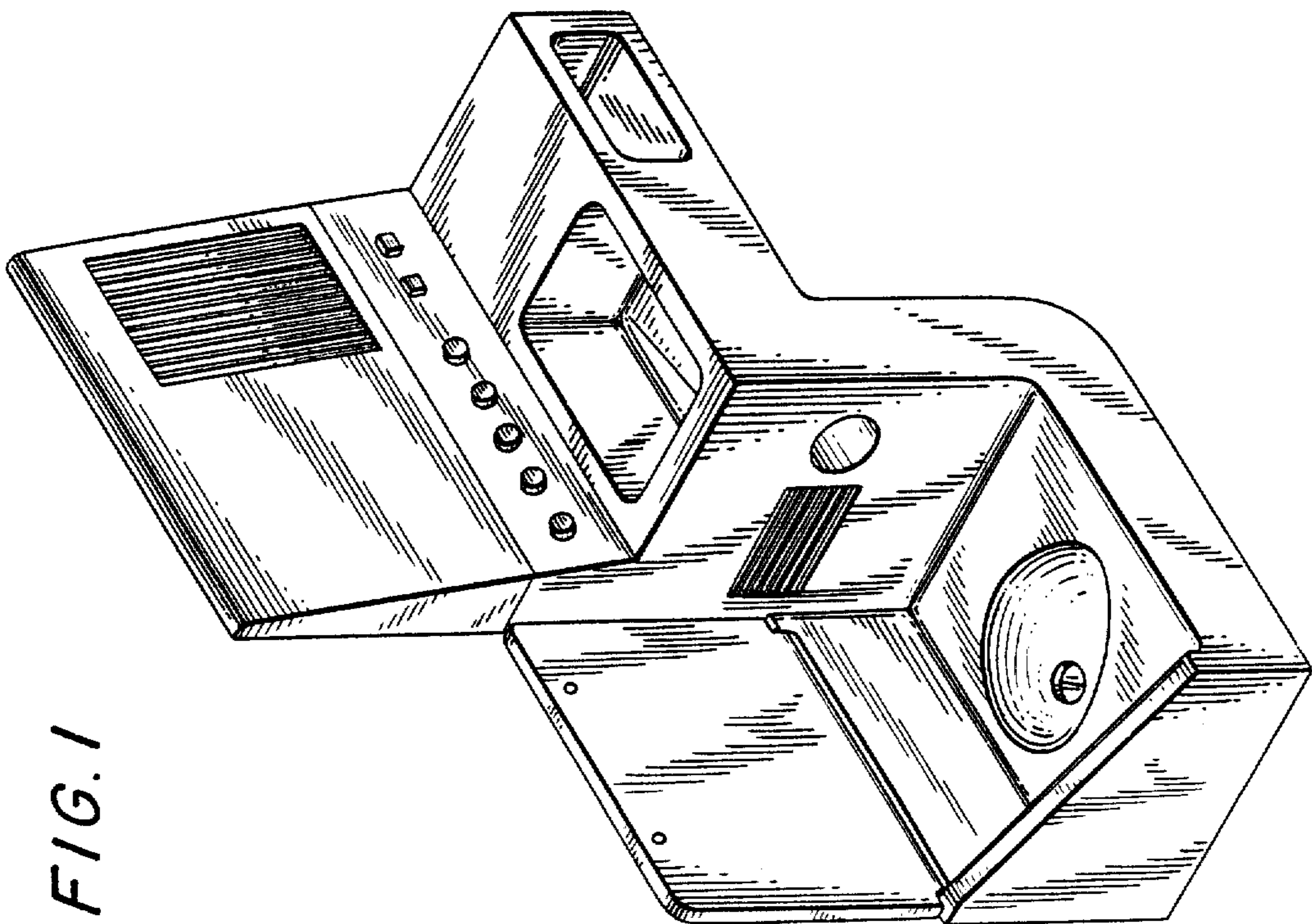


FIG. 3

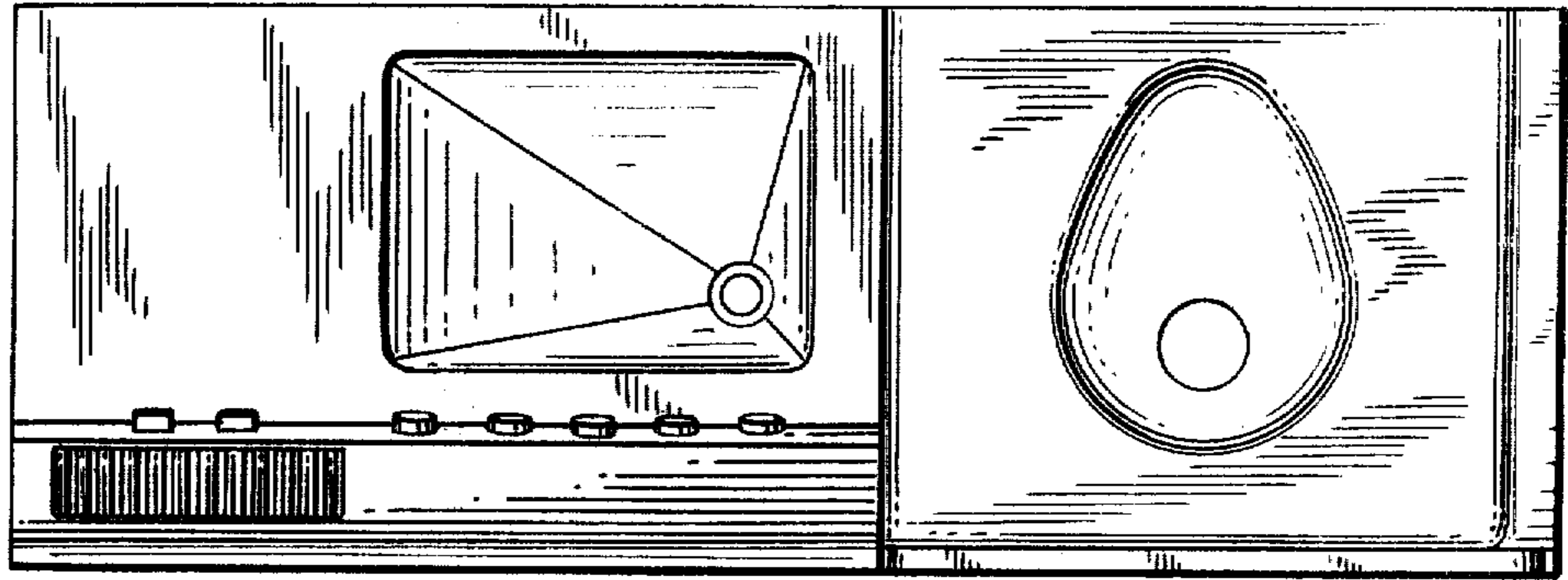
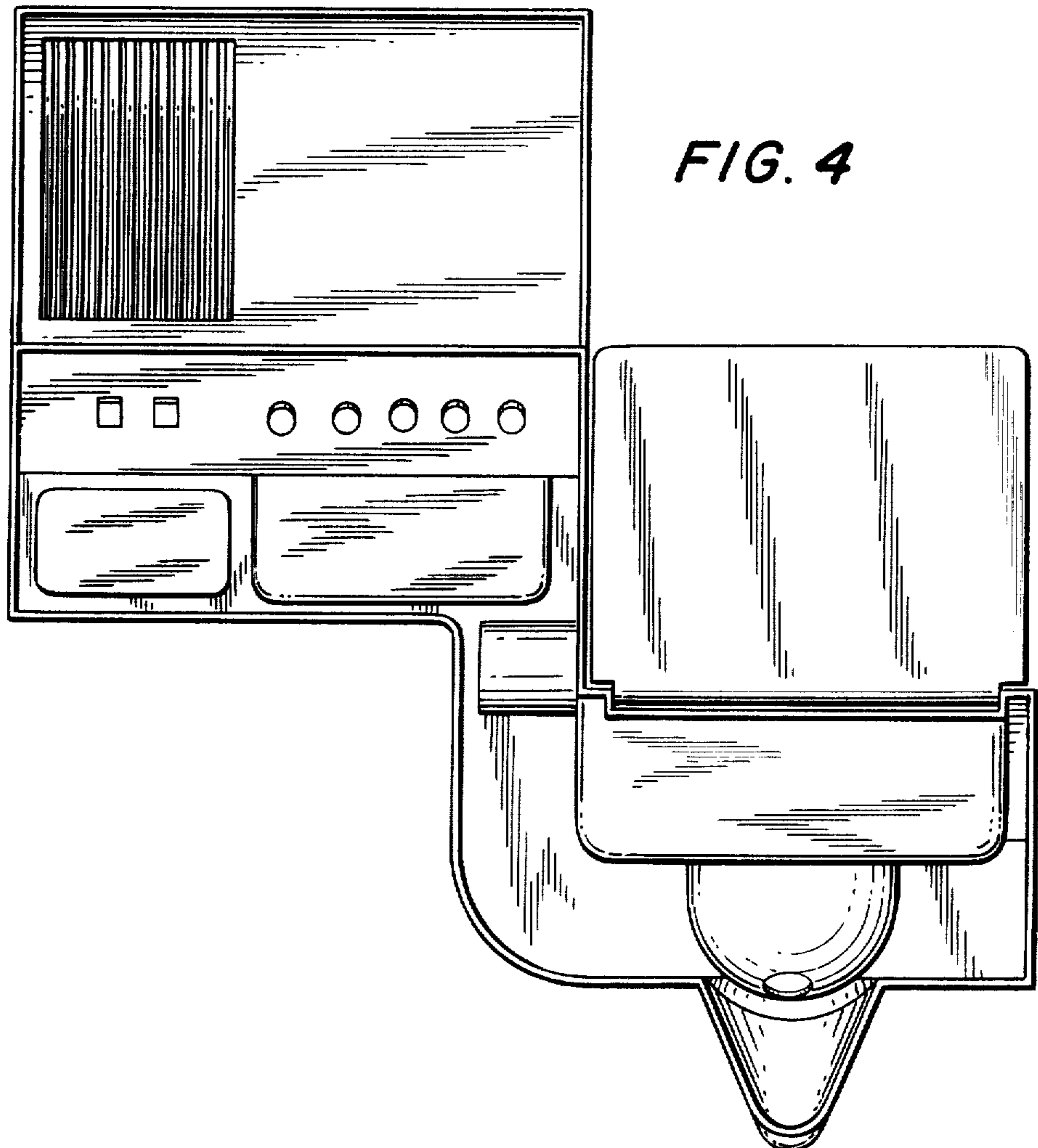


FIG. 4



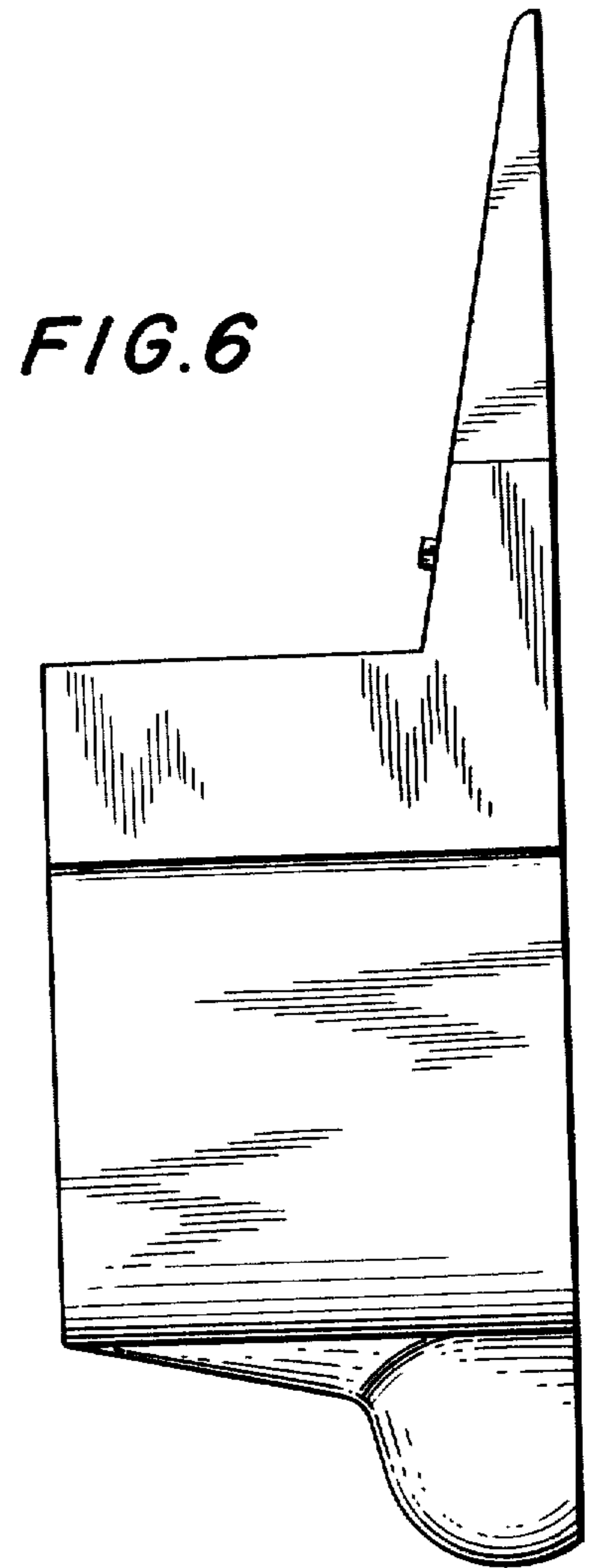
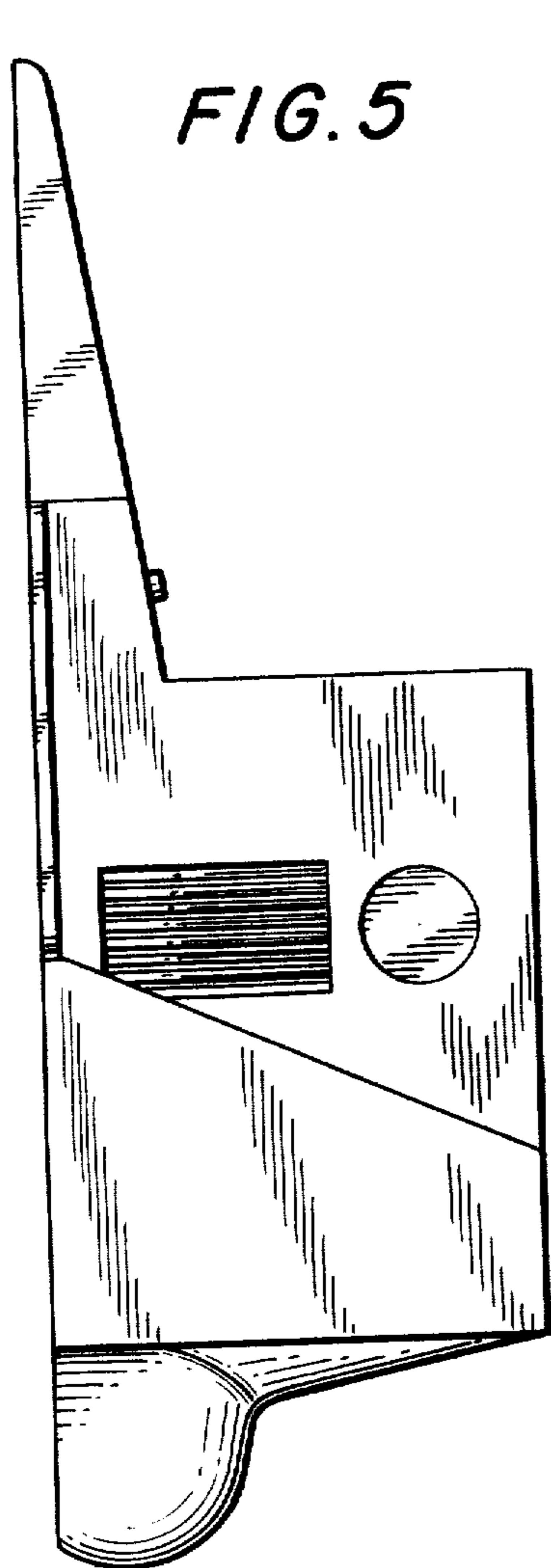


FIG. 7

