

[54] FAUCET HANDLE AND THE LIKE
 [75] Inventor: John P. Ronvik, Palos Heights, Ill.
 [73] Assignee: Sears, Roebuck and Co., Chicago, Ill.
 [**] Term: 14 Years
 [21] Appl. No.: 157,122
 [22] Filed: Jun. 6, 1980
 [51] Int. Cl. D23-01
 [52] U.S. Cl. D23/28; D8/310
 [58] Field of Search D23/23-32;
 D8/308, 310, 321; 16/121

403,774 6/1890 Hamilton .
 600,849 3/1898 Brown .
 1,803,375 5/1931 Adams .
 1,848,526 3/1932 Heerwagen .
 1,958,165 5/1934 Le Compte .
 1,993,938 3/1935 McDonald 16/121
 2,007,476 7/1935 Miller .
 2,919,947 1/1960 Scott .
 3,313,057 4/1967 Leddy .
 3,430,377 3/1969 Ellison .
 3,487,496 1/1970 Guyton 16/121

Primary Examiner—James R. Largen
 Attorney, Agent, or Firm—Arnstein, Gluck & Lehr

[57] CLAIM

The ornamental design for a faucet handle and the like, as shown and described.

DESCRIPTION

FIG. 1 is a top perspective view for a faucet handle and the like showing my new design;
 FIG. 2 is a side elevational view thereof; and
 FIG. 3 is a cross sectional view taken on line 3—3 of FIG. 2.

[56] References Cited

U.S. PATENT DOCUMENTS

D. 207,898 6/1967 Doman D23/28
 D. 207,986 6/1967 Smalley D23/28
 D. 223,155 3/1972 Owings D23/28
 D. 223,913 6/1972 Niemann D23/29
 D. 227,251 6/1973 Botefur et al. D23/28
 D. 238,948 2/1976 Landell D23/28
 D. 241,843 10/1976 Shames et al. D23/28

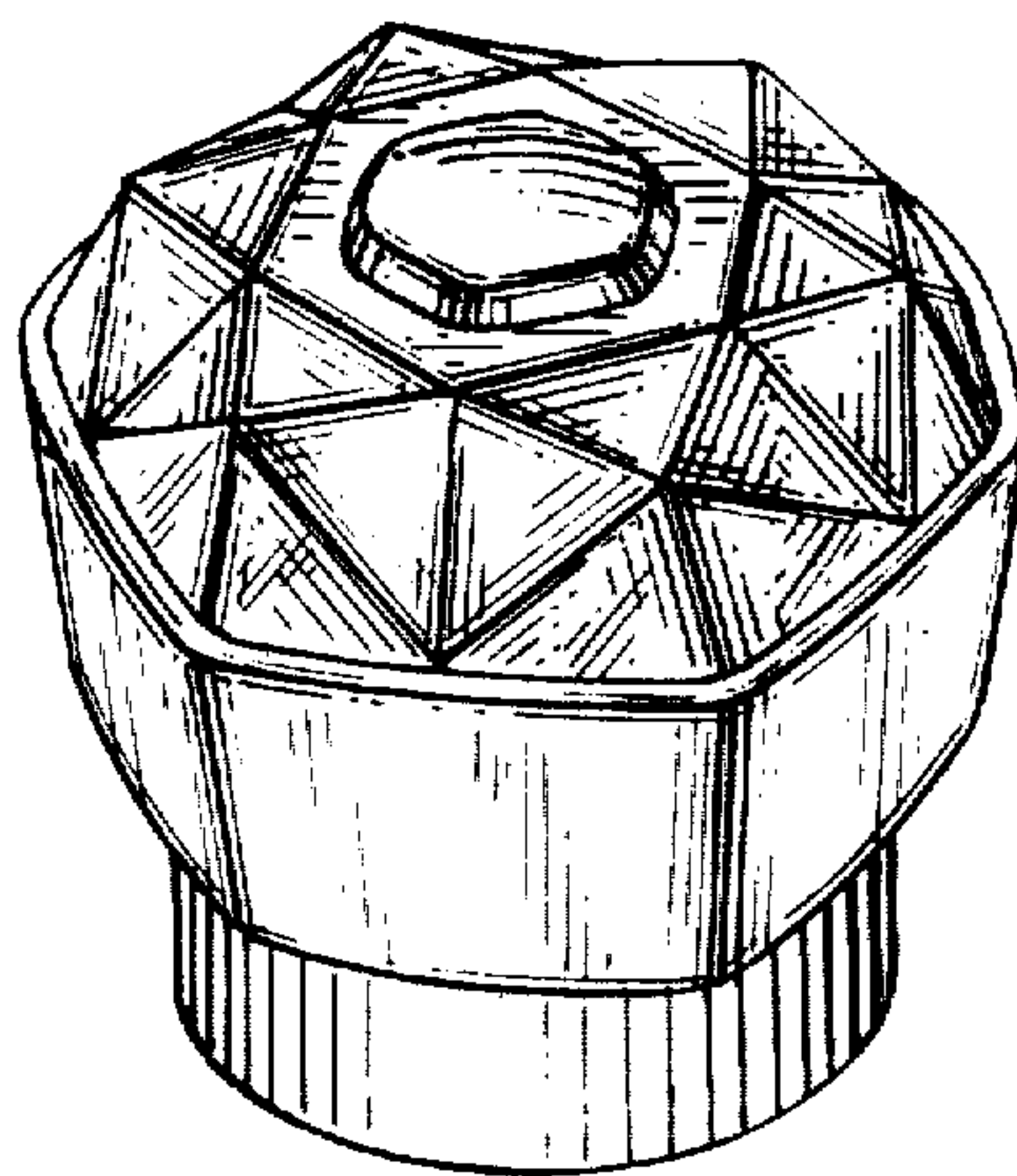


Fig. 1.

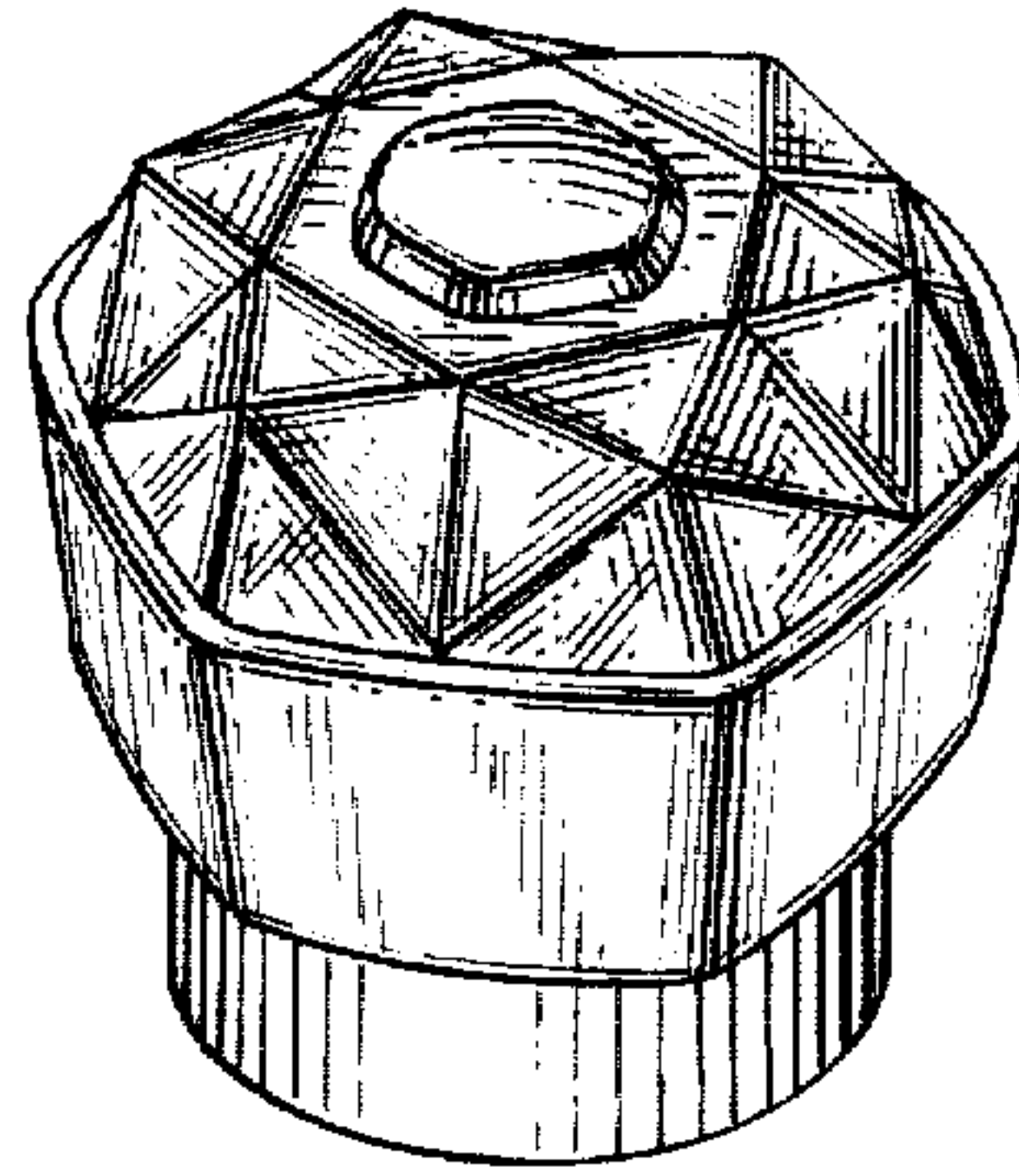


Fig. 2.

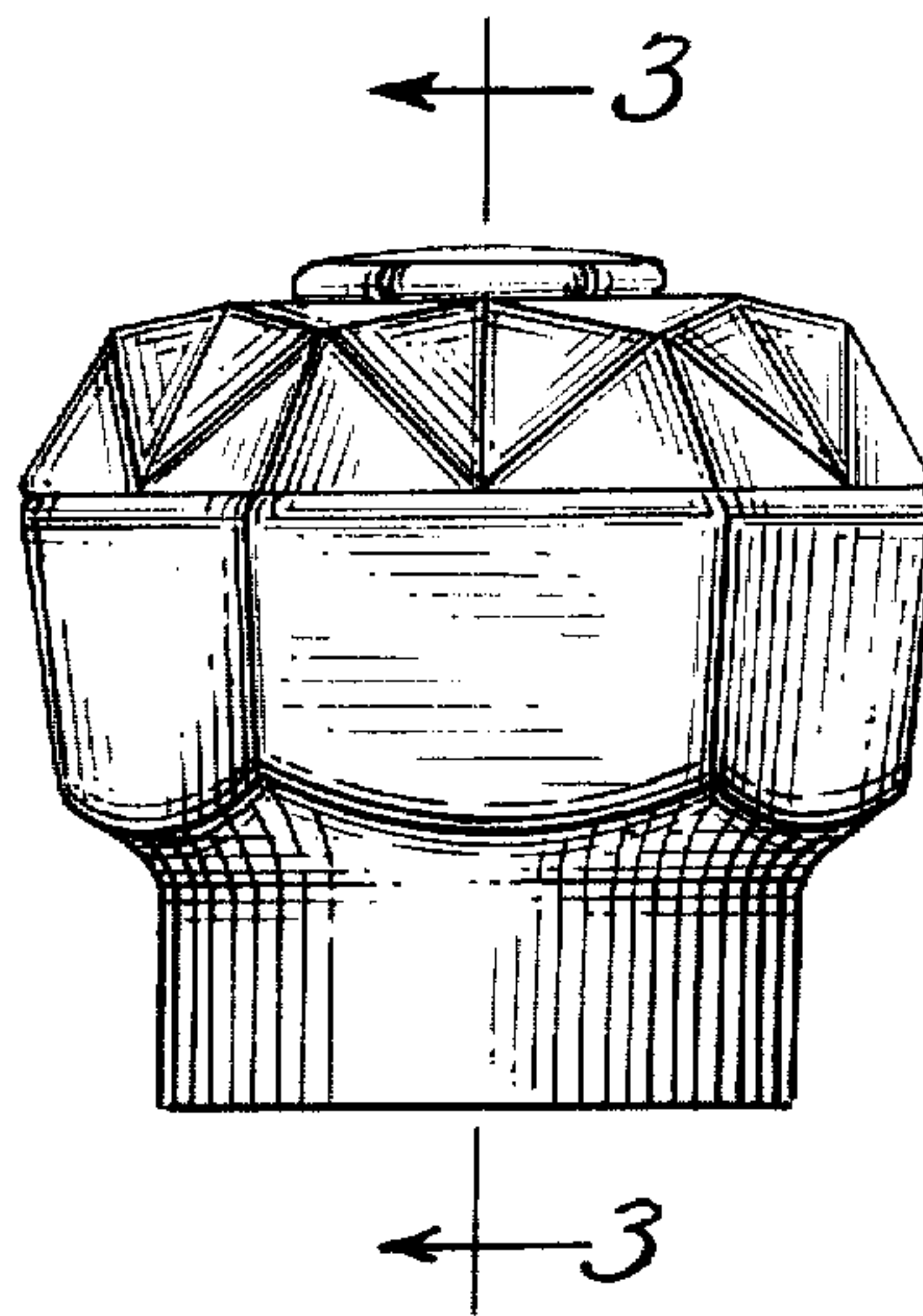


Fig. 3.

