

[54] FAUCET SET  
[75] Inventor: Stanley M. Paul, Rye, N.Y.  
[73] Assignee: Paul Associates, Inc., New York, N.Y.  
[\*\*] Term: 14 Years  
[21] Appl. No.: 160,352  
[22] Filed: Jun. 17, 1980  
[51] Int. Cl. .... D23-01  
[52] U.S. Cl. .... D23/25  
[58] Field of Search ..... D23/23-32;  
4/191, 192; 137/606, 801

[56] **References Cited**  
**U.S. PATENT DOCUMENTS**  
D. 106,319 10/1937 Morgan ..... D23/26

D. 163,598 6/1951 Hall ..... D23/26  
D. 224,404 7/1972 Jenner ..... D23/25  
D. 253,799 1/1980 Saporito et al. .... D23/25

**OTHER PUBLICATIONS**

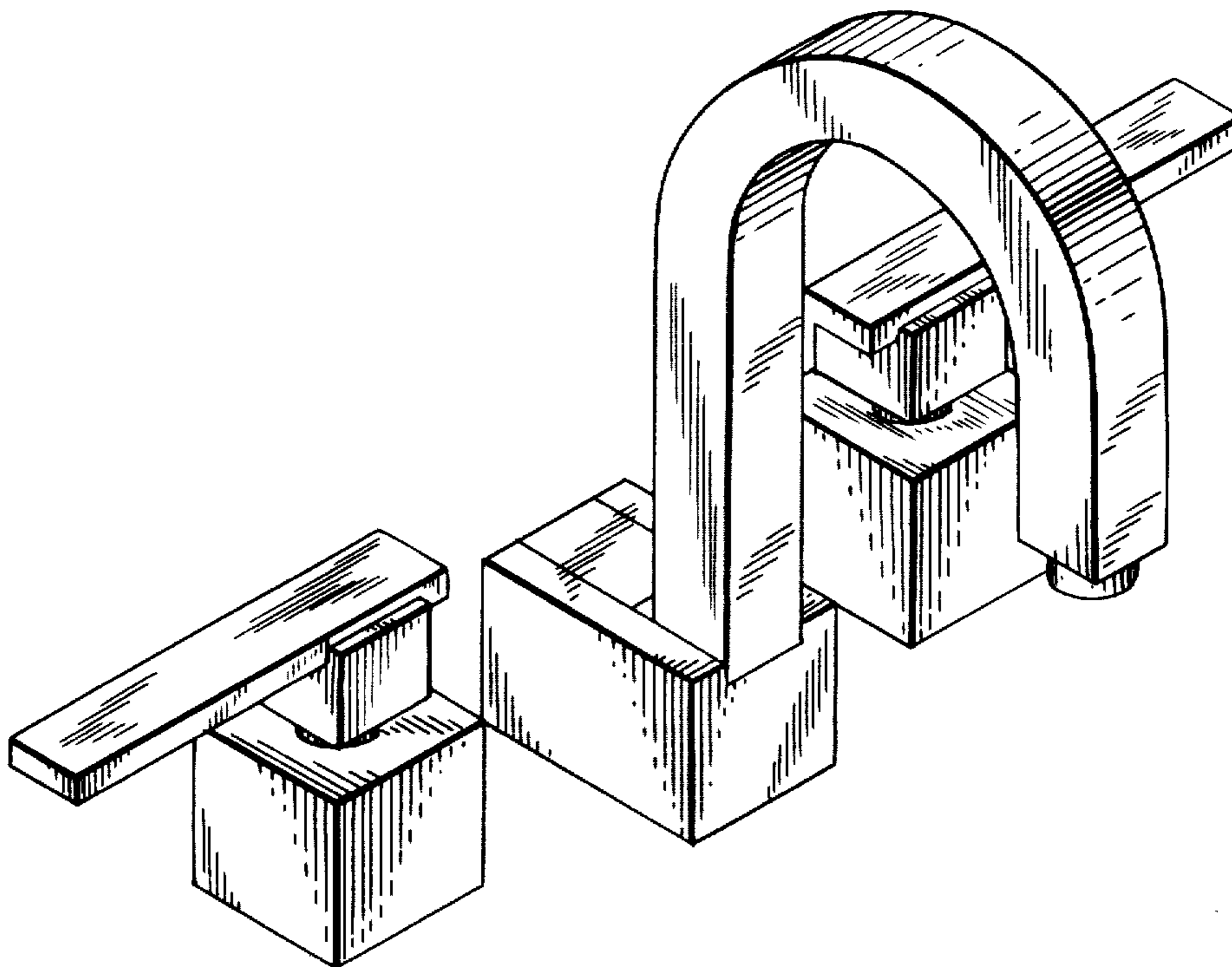
Architectural Form, Sep. 1946, p. 154.  
*Primary Examiner*—James R. Largen

[57] **CLAIM**

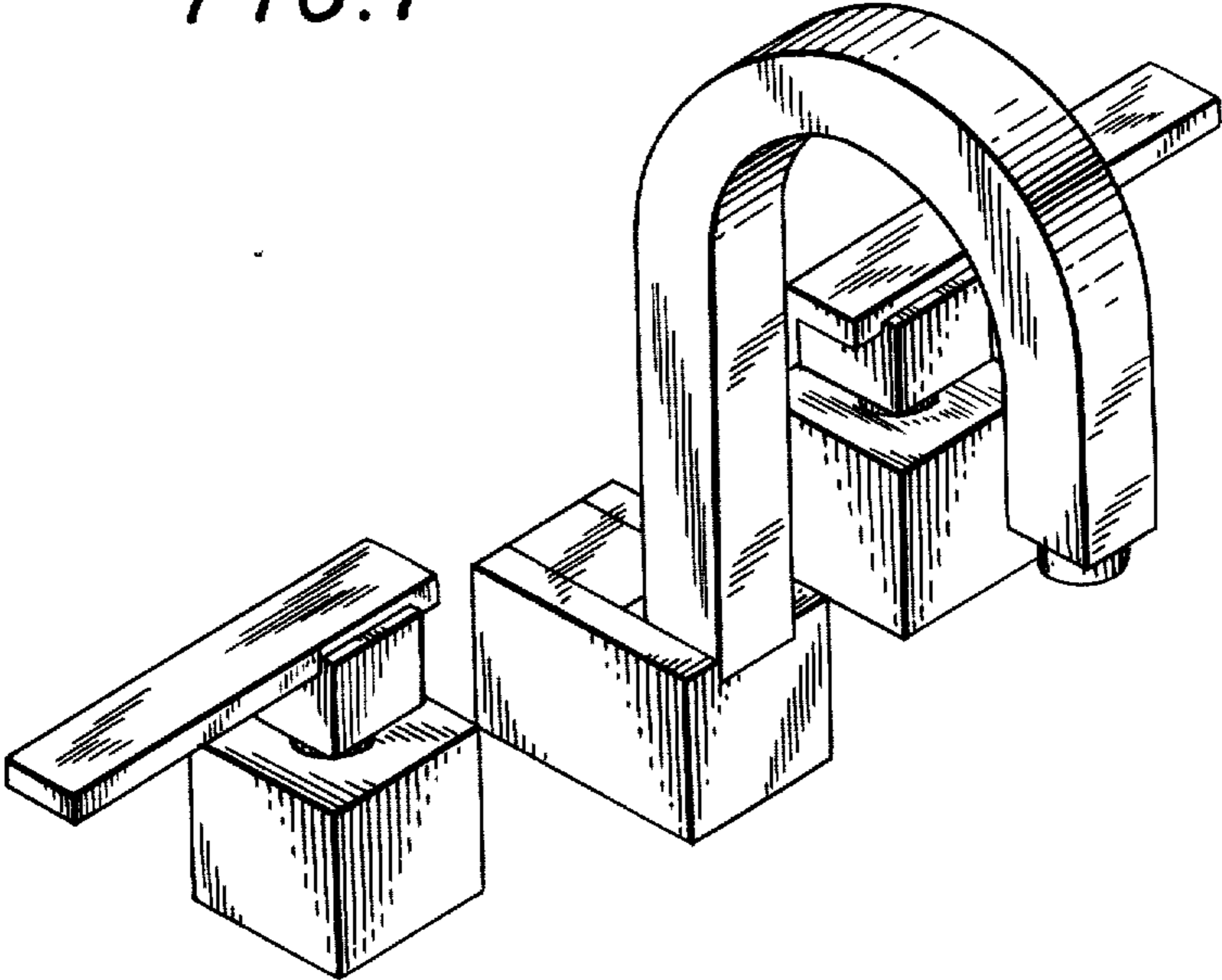
The ornamental design for a faucet set, as shown.

**DESCRIPTION**

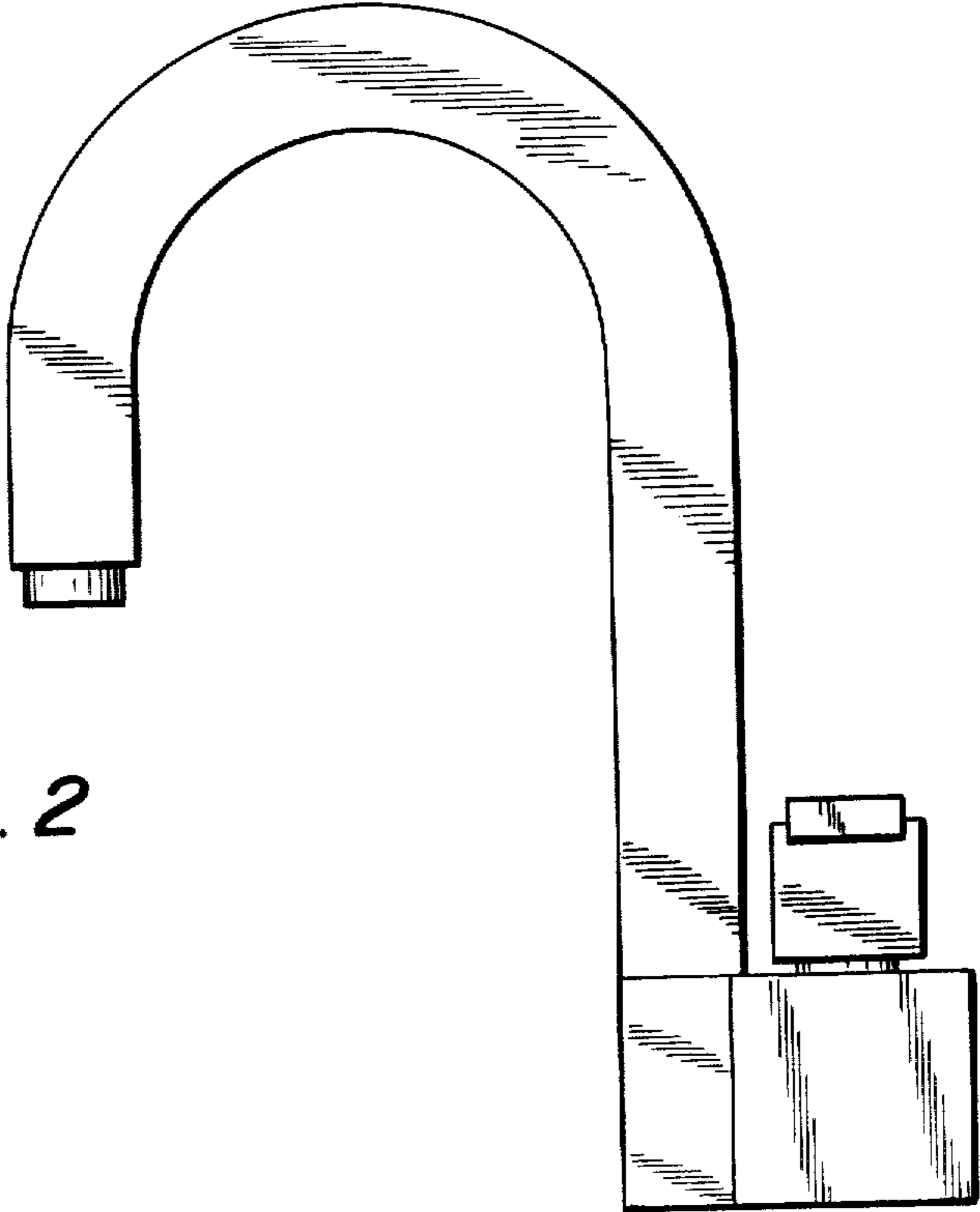
FIG. 1 is a front perspective view of a faucet set showing my new design;  
FIG. 2 is a side elevational view thereof;  
FIG. 3 is a top plan view thereof;  
FIG. 4 is a front elevational view thereof;  
FIG. 5 is a rear elevational view thereof; and  
FIG. 6 is a bottom plan view thereof.

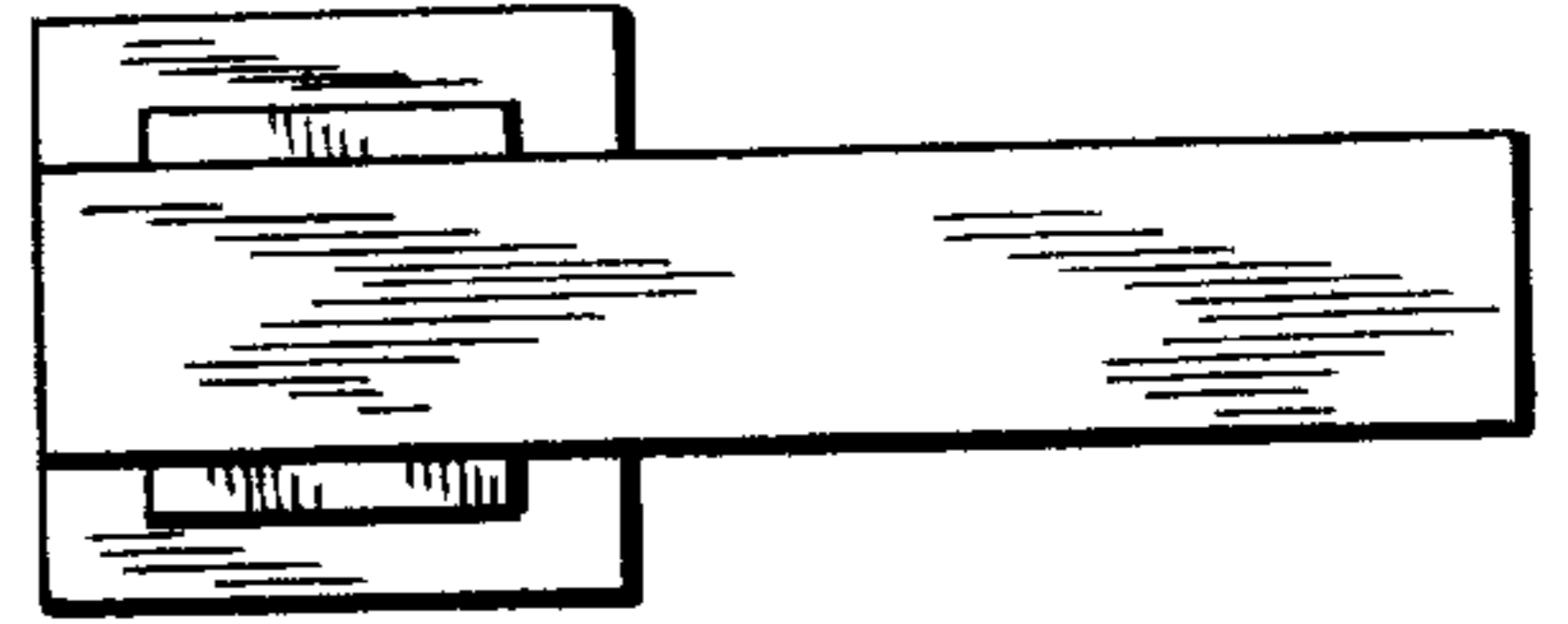
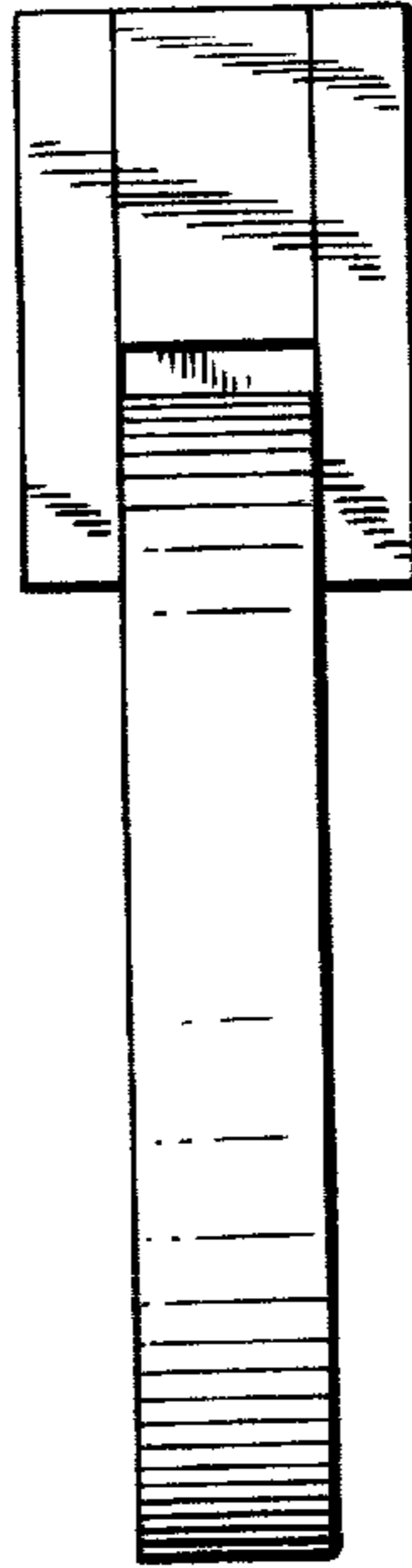
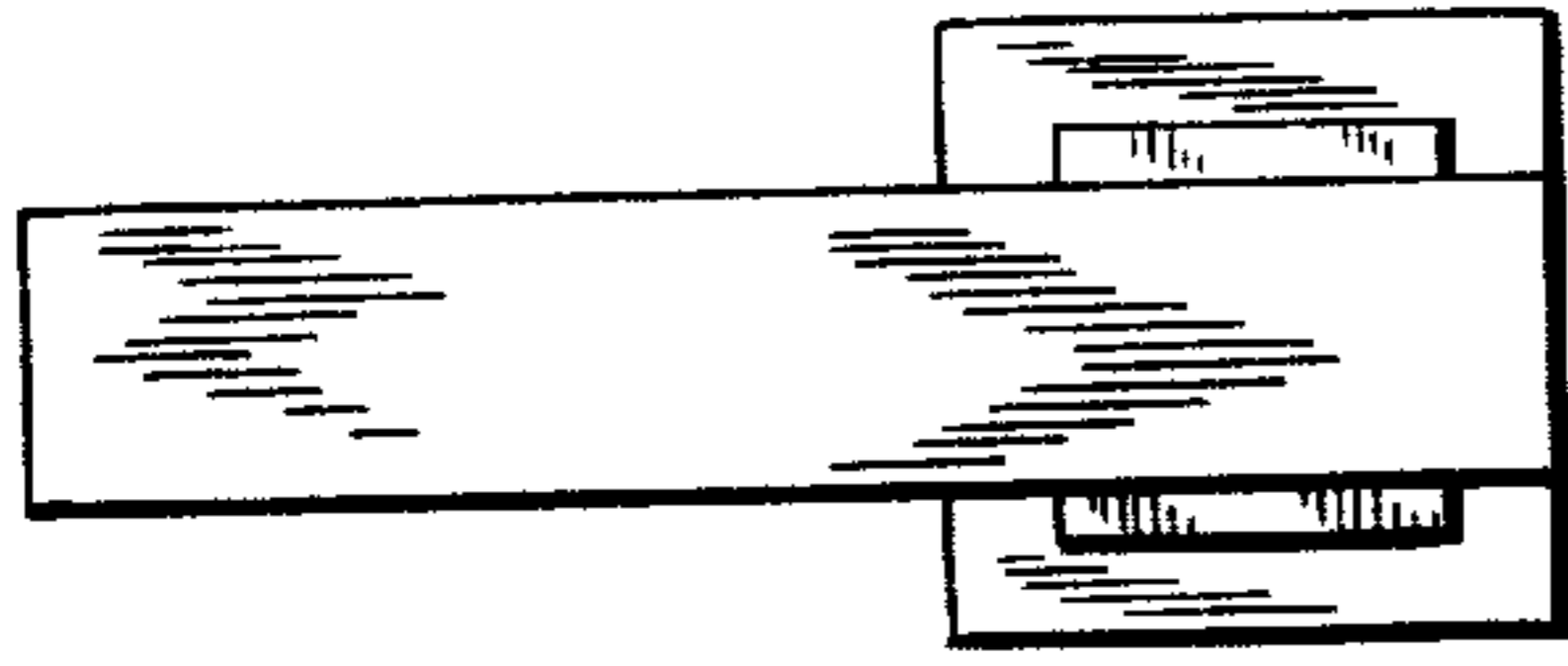


*FIG. 1*



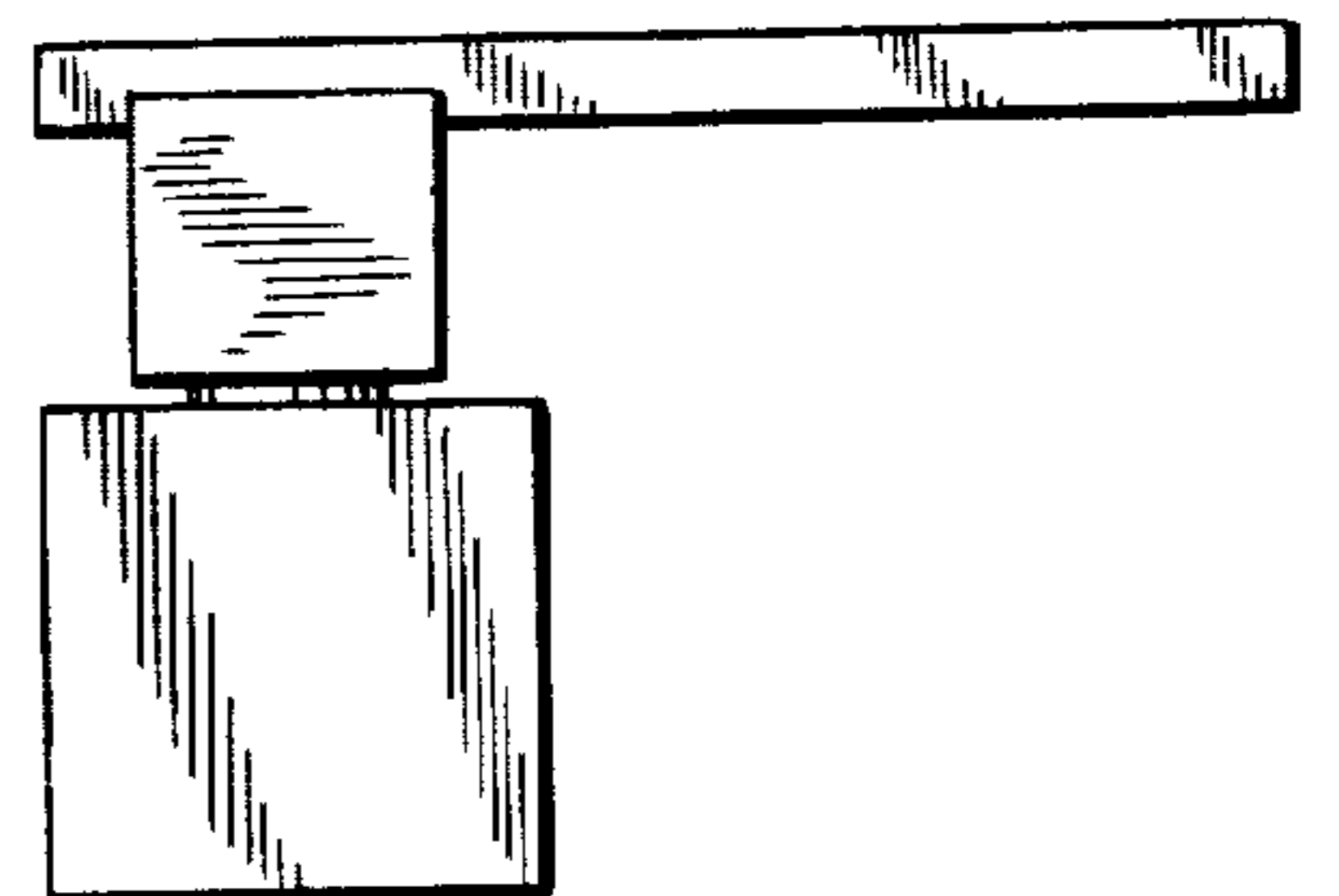
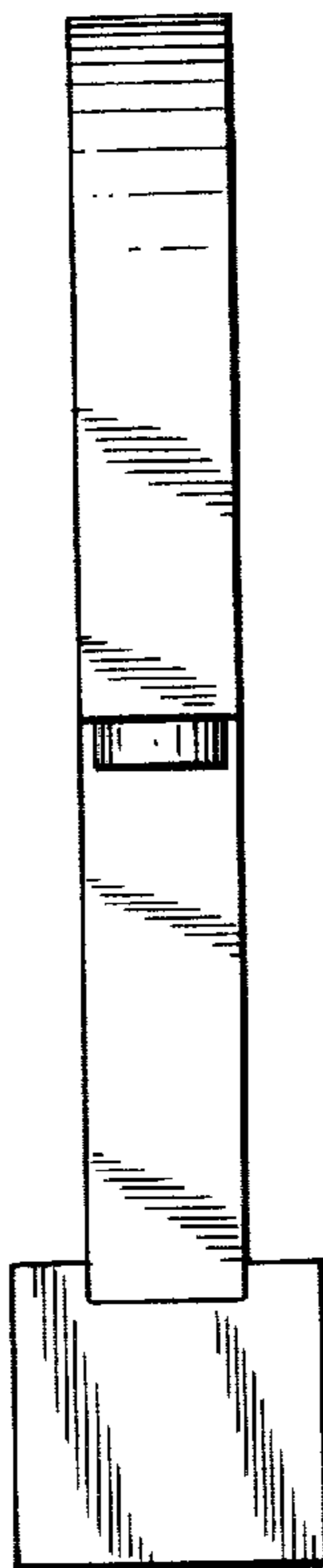
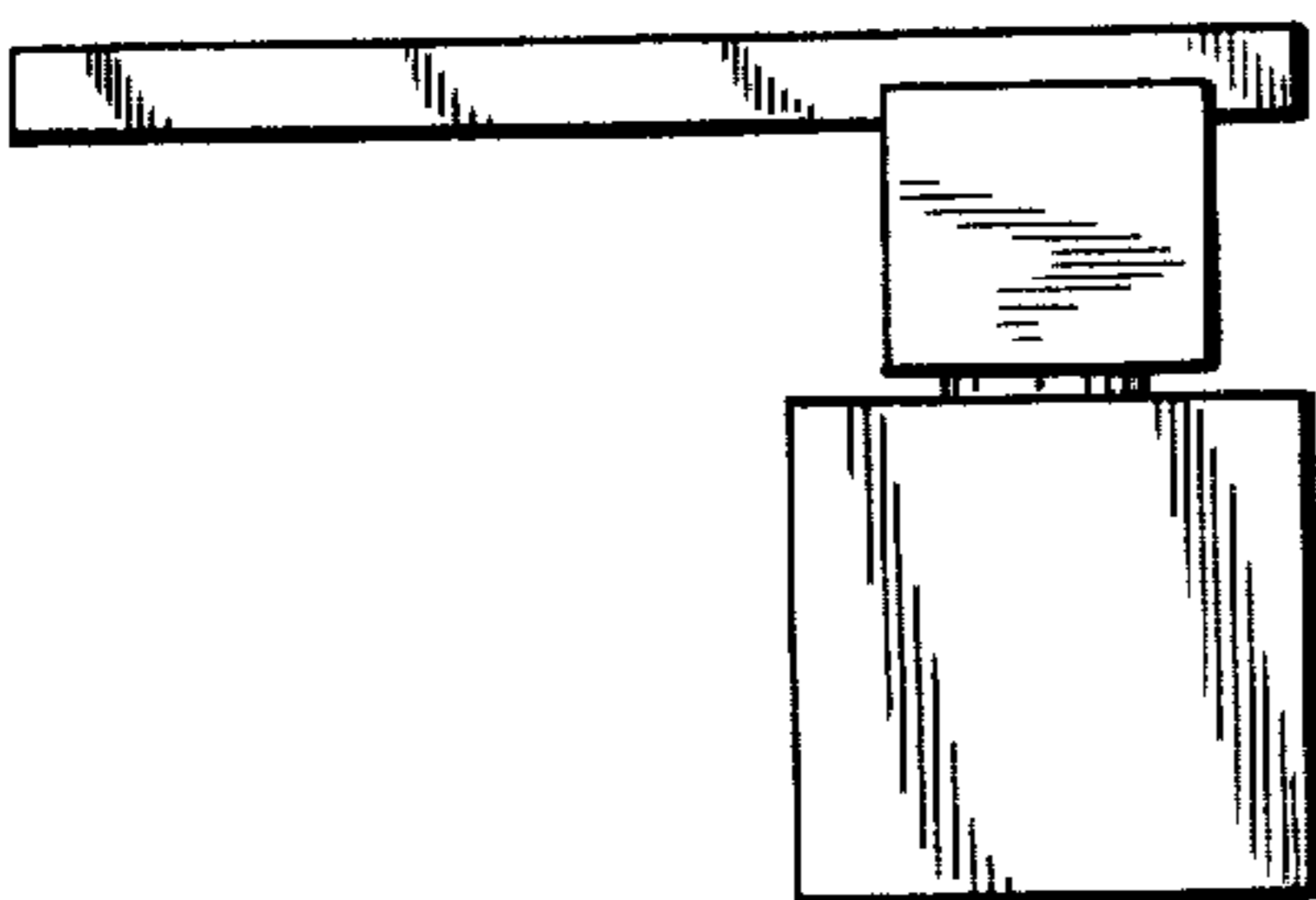
*FIG. 2*



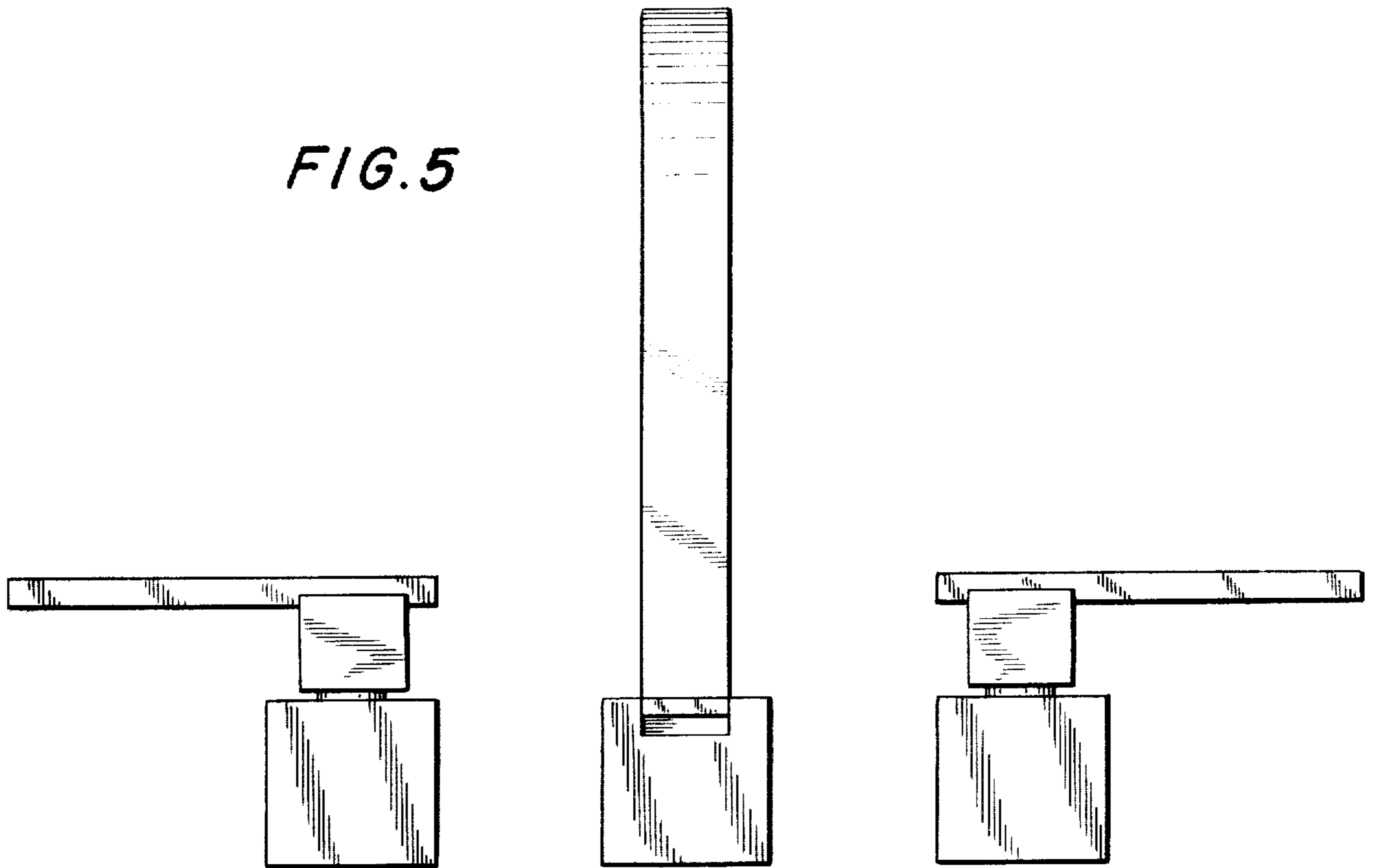


*FIG. 3*

*FIG. 4*



*FIG. 5*



*FIG. 6*

