

[54] **COMBINED WATER STORAGE TANK AND BUILDING**

[75] Inventors: **J. Keith Carlat; John O. Cliff**, both of Franklin, Tenn.

[73] Assignee: **Pittsburgh-Des Moines Corporation**, Pittsburgh, Pa.

[**] Term: **14 Years**

[21] Appl. No.: **156,251**

[22] Filed: **Jun. 3, 1980**

[51] Int. Cl. **D23—01; D25—03**

[52] U.S. Cl. **D23/2; D25/5; D25/6; D25/14; D25/19; D25/31**

[58] Field of Search **D23/2; D26/5, 6, 14, D26/19, 31; 220/1 B; 52/236.2, 245**

[56] **References Cited**

U.S. PATENT DOCUMENTS

D. 197,264	12/1963	Anderson, Sr.	D23/2
D. 198,673	7/1964	Strogilis	D23/2 X
D. 227,238	6/1973	Wheeler	D23/2 X
D. 227,357	6/1973	Wheeler	D25/19
D. 228,904	10/1973	Anderson, Jr. et al.	D23/2

D. 234,691	4/1975	Janhunen	D23/2
1,946,493	2/1934	Horton	D23/2 X
2,495,724	1/1950	Horton	220/1 B
2,567,958	9/1951	Mummert	220/1 B
3,219,224	11/1965	Anderson	220/1 B
3,235,956	2/1966	Heathcote et al.	220/1 B

OTHER PUBLICATIONS

American City, Feb. 1960, p. 206, left item.
 American City, Jan. 1961, p. 131.

Primary Examiner—James R. Largen
Attorney, Agent, or Firm—Shoemaker and Mattare, Ltd.

[57] **CLAIM**

The ornamental design for a combined water storage tank and building, as shown and described.

DESCRIPTION

FIG. 1 is a front elevational view of a combined water storage tank and building, showing our new design; FIG. 2 is a rear elevational view thereof; FIG. 3 is a left side elevational view thereof, the right side being a mirror image of the left side shown; FIG. 4 is a top plan view thereof; and FIG. 5 is a fragmentary cross sectional view taken on line 5—5 of FIG. 3.

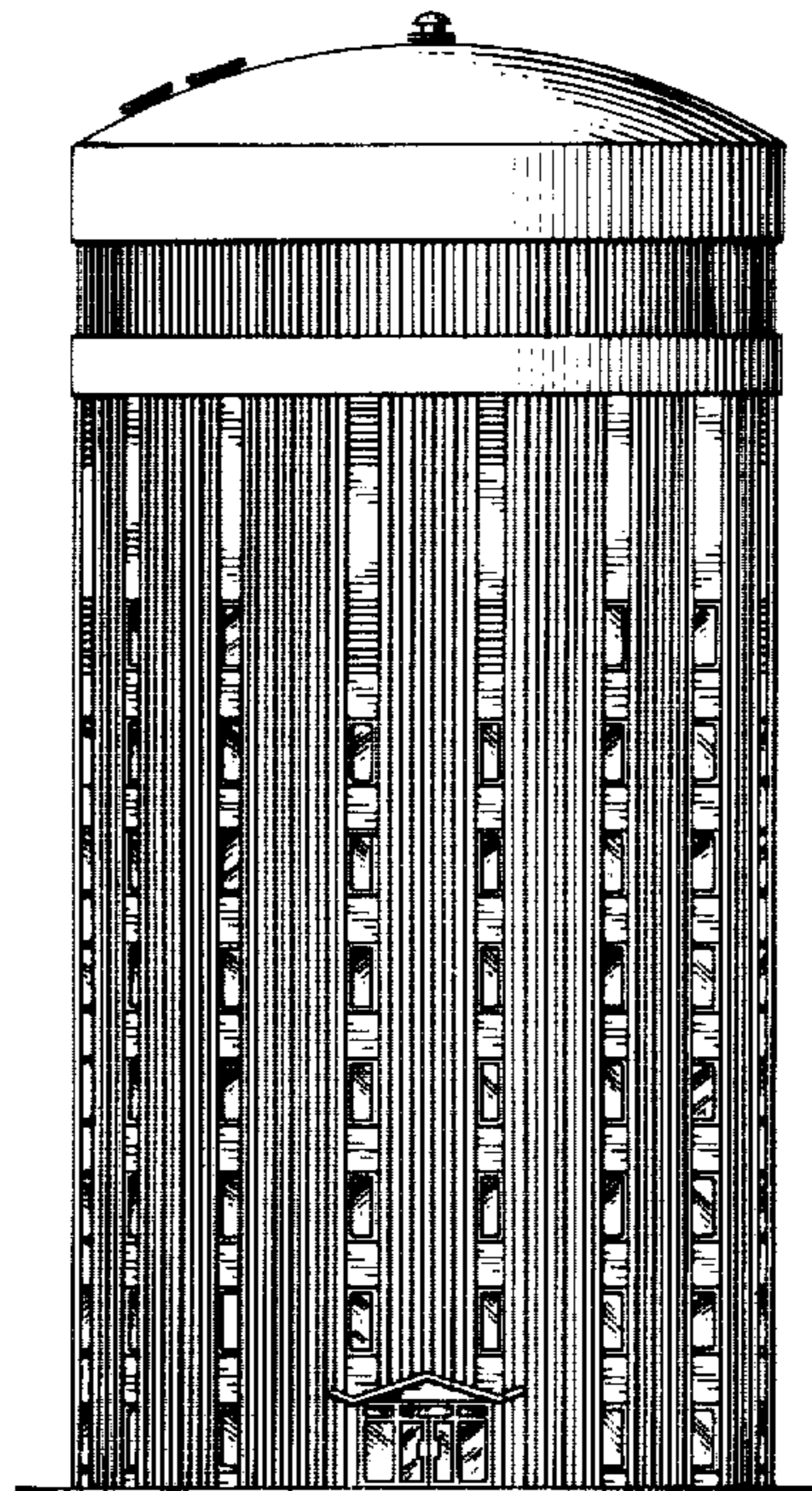


FIG. 2.

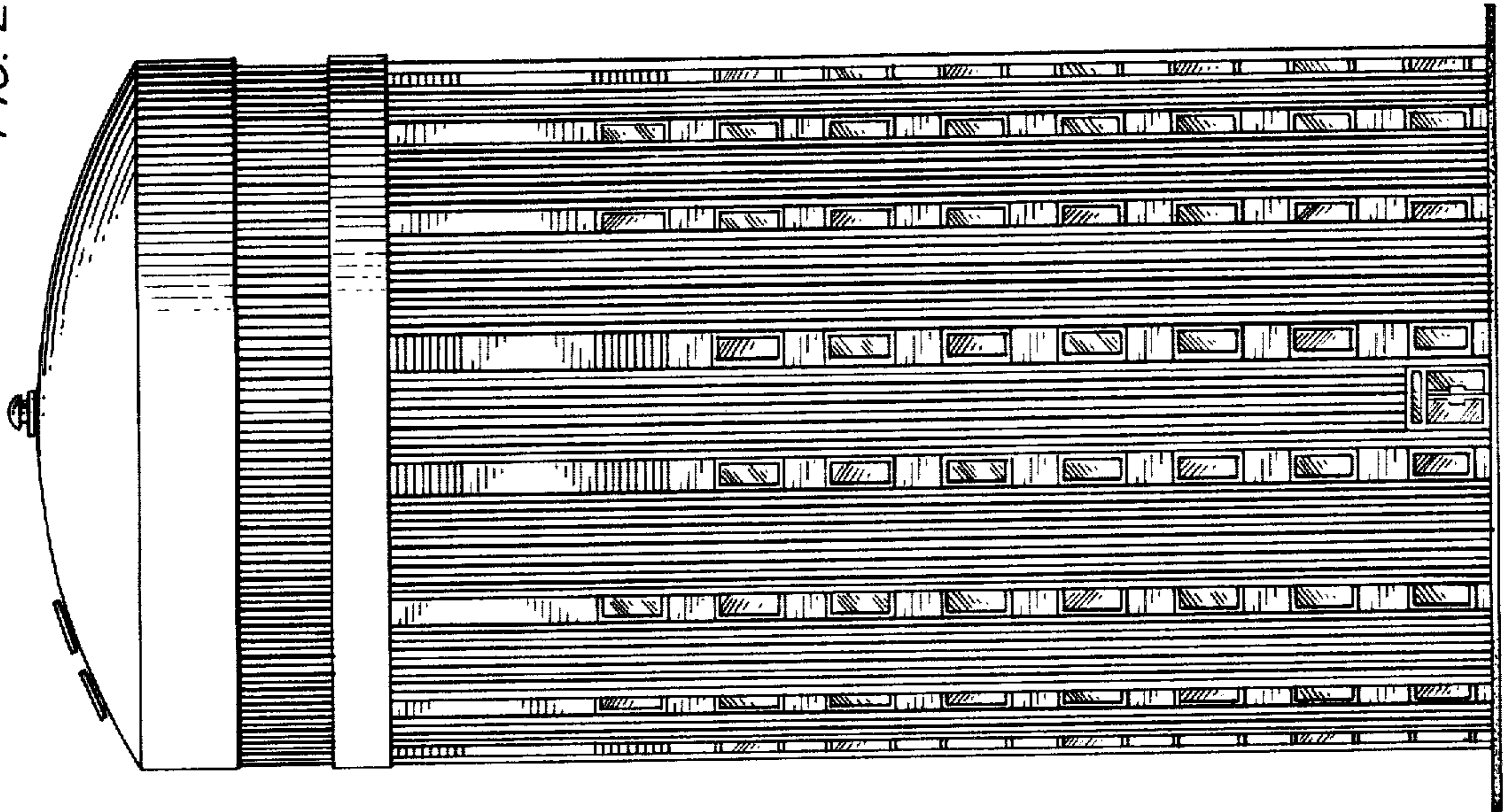


FIG. 1.

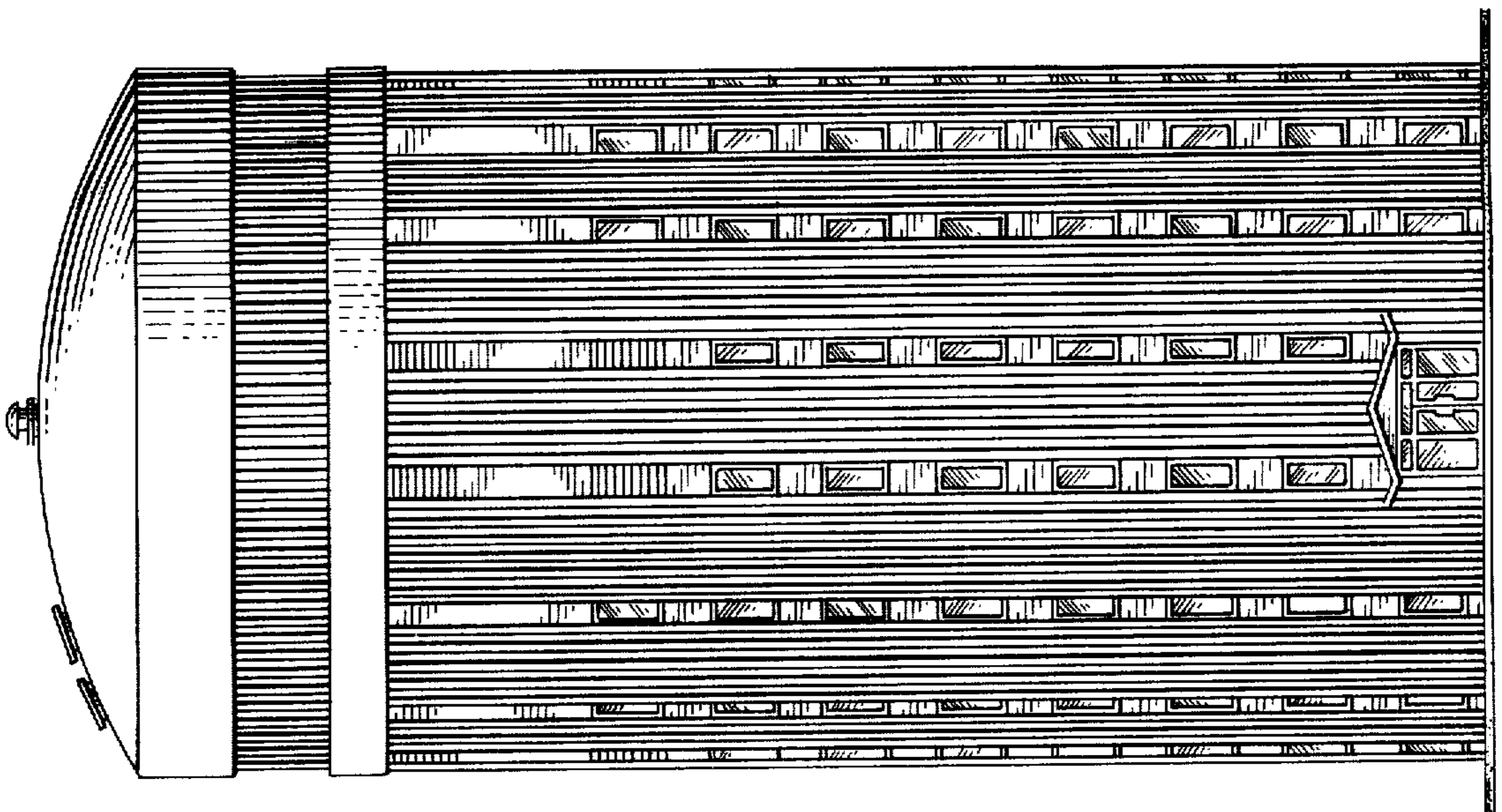


FIG. 4.

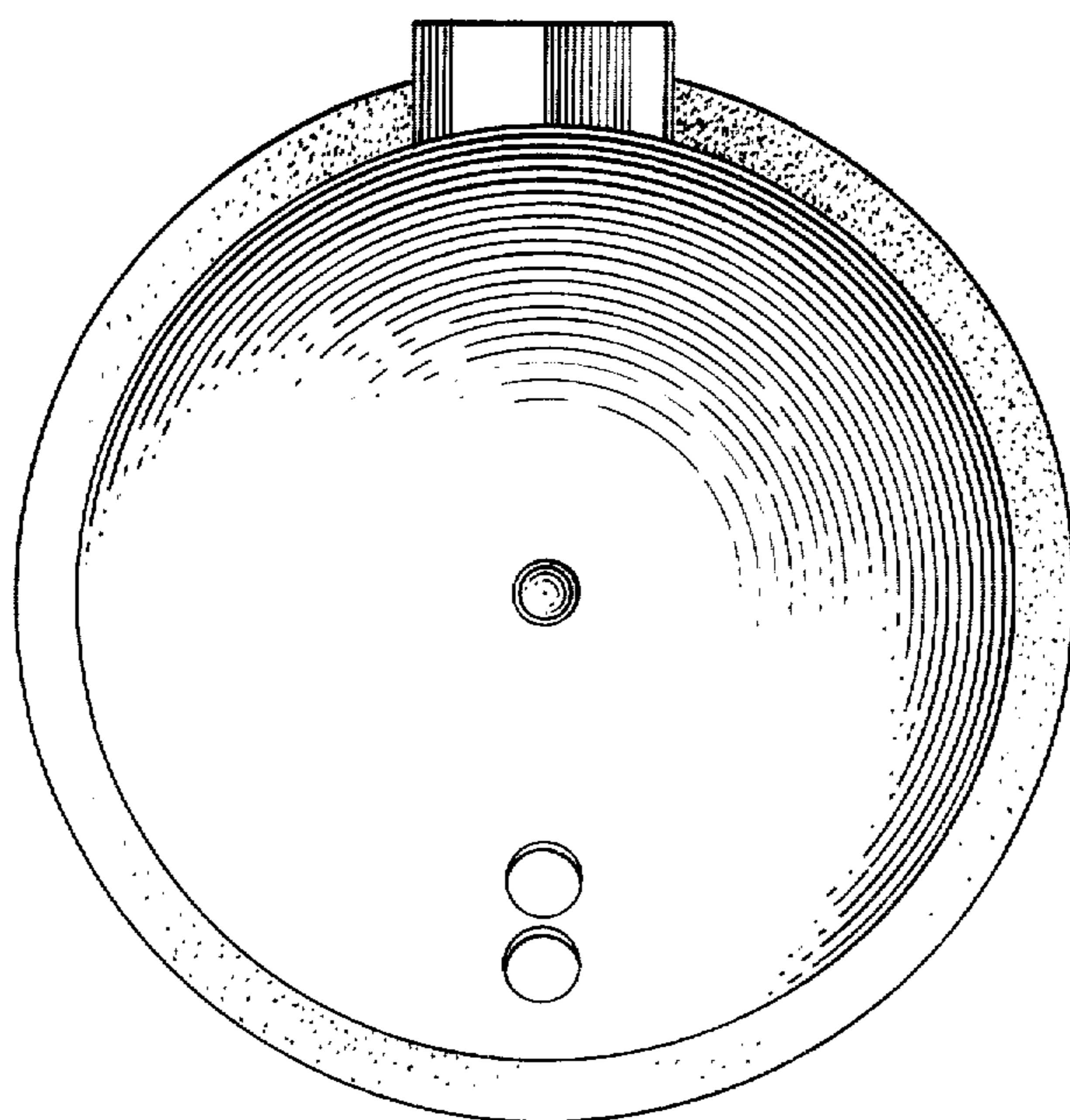


FIG. 5.



FIG. 3.

