

[54] **BALLPOINT PEN**

[75] **Inventor:** **Bernt Spiegel**, Edingen, Fed. Rep. of Germany

[73] **Assignee:** **C. Josef Lamy GmbH**, Fed. Rep. of Germany

[**] **Term:** **14 Years**

[21] **Appl. No.:** **181,204**

[22] **Filed:** **Aug. 25, 1980**

[30] **Foreign Application Priority Data**
Feb. 29, 1980 [DE] Fed. Rep. of Germany G 30

[51] **Int. Cl.** **D19-06**

[52] **U.S. Cl.** **D19/47; D19/48; D19/56**

[58] **Field of Search** **D19/36, 41-51, D19/56, 57; 24/11 HC**

[56] **References Cited**

U.S. PATENT DOCUMENTS

D. 120,137	4/1940	Most	D19/48
D. 190,263	5/1961	Kaplan	D19/51
D. 234,225	1/1975	Ito	D19/48
D. 240,817	8/1976	Funahashi	D19/48
D. 251,123	2/1979	Horntrich	D19/56

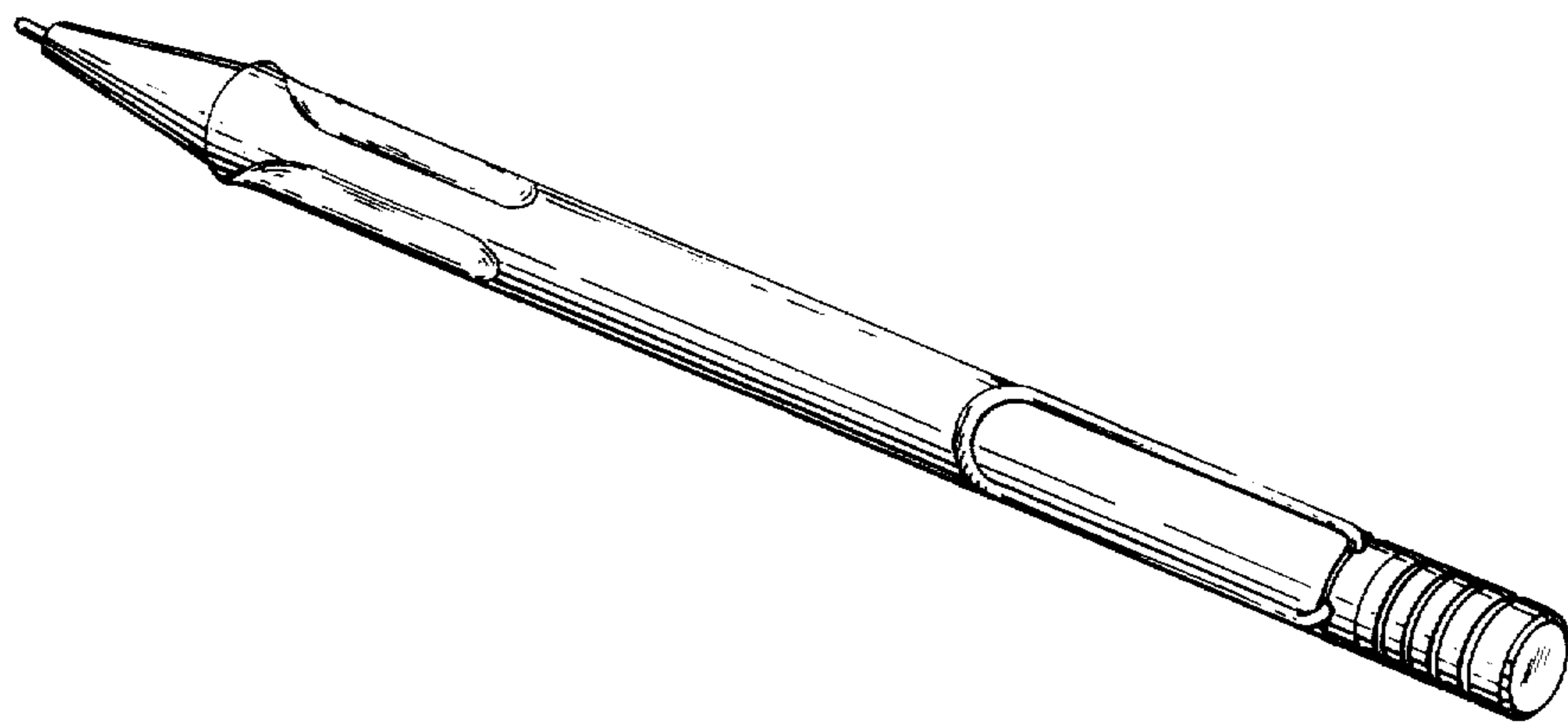
Primary Examiner—George P. Word
Attorney, Agent, or Firm—Jacobs & Jacobs

[57] **CLAIM**

The ornamental design for a ballpoint pen, as shown.

DESCRIPTION

FIG. 1 is a front perspective view of a ball point pen showing my new design;
FIG. 2 is a left side perspective view thereof;
FIG. 3 is a front elevational view thereof;
FIG. 4 is a rear elevational view thereof;
FIG. 5 is a right side elevational view thereof;
FIG. 6 is a left side elevational view thereof;
FIG. 7 is a top plan view thereof; and
FIG. 8 is a bottom plan view thereof.



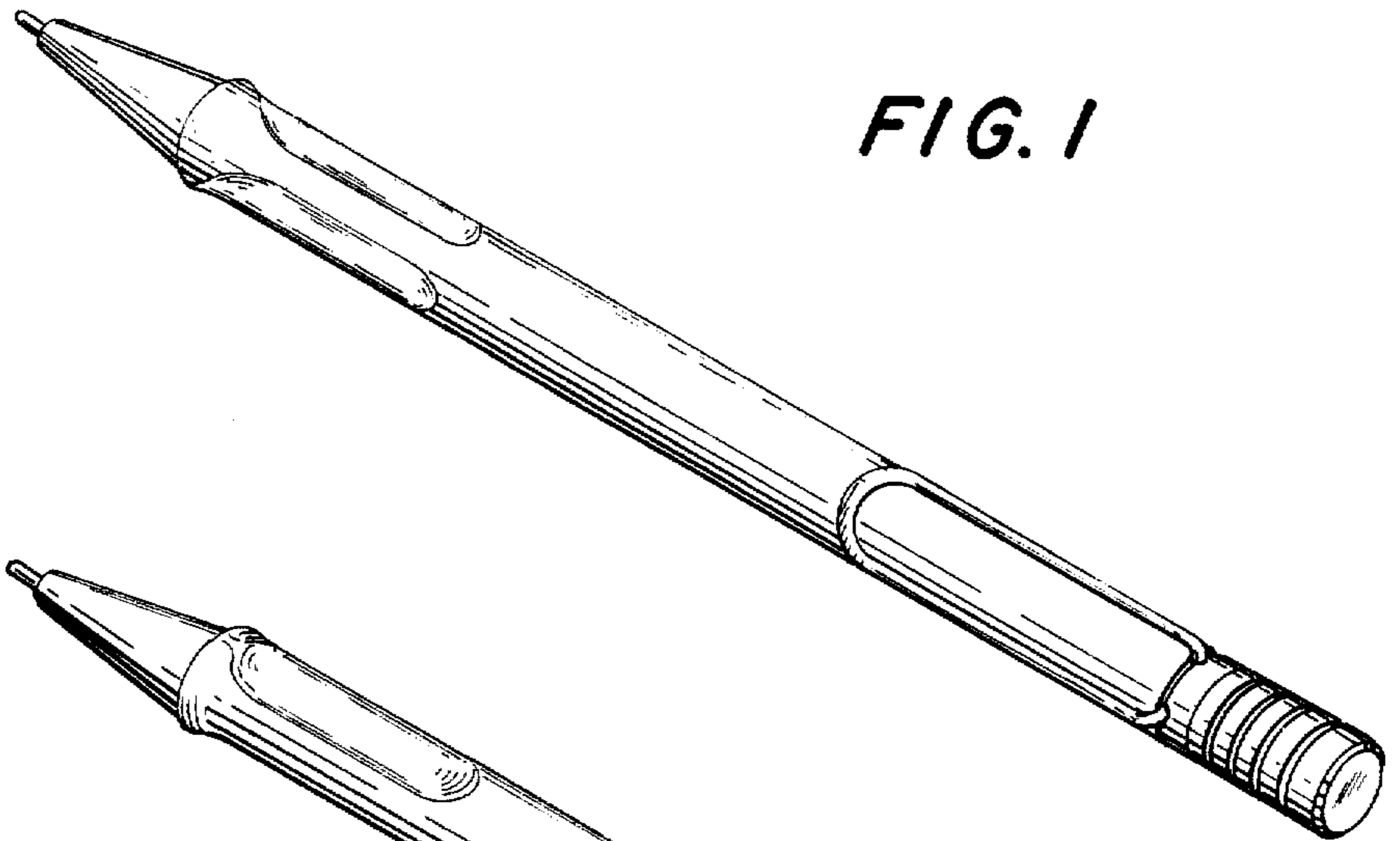


FIG. 1

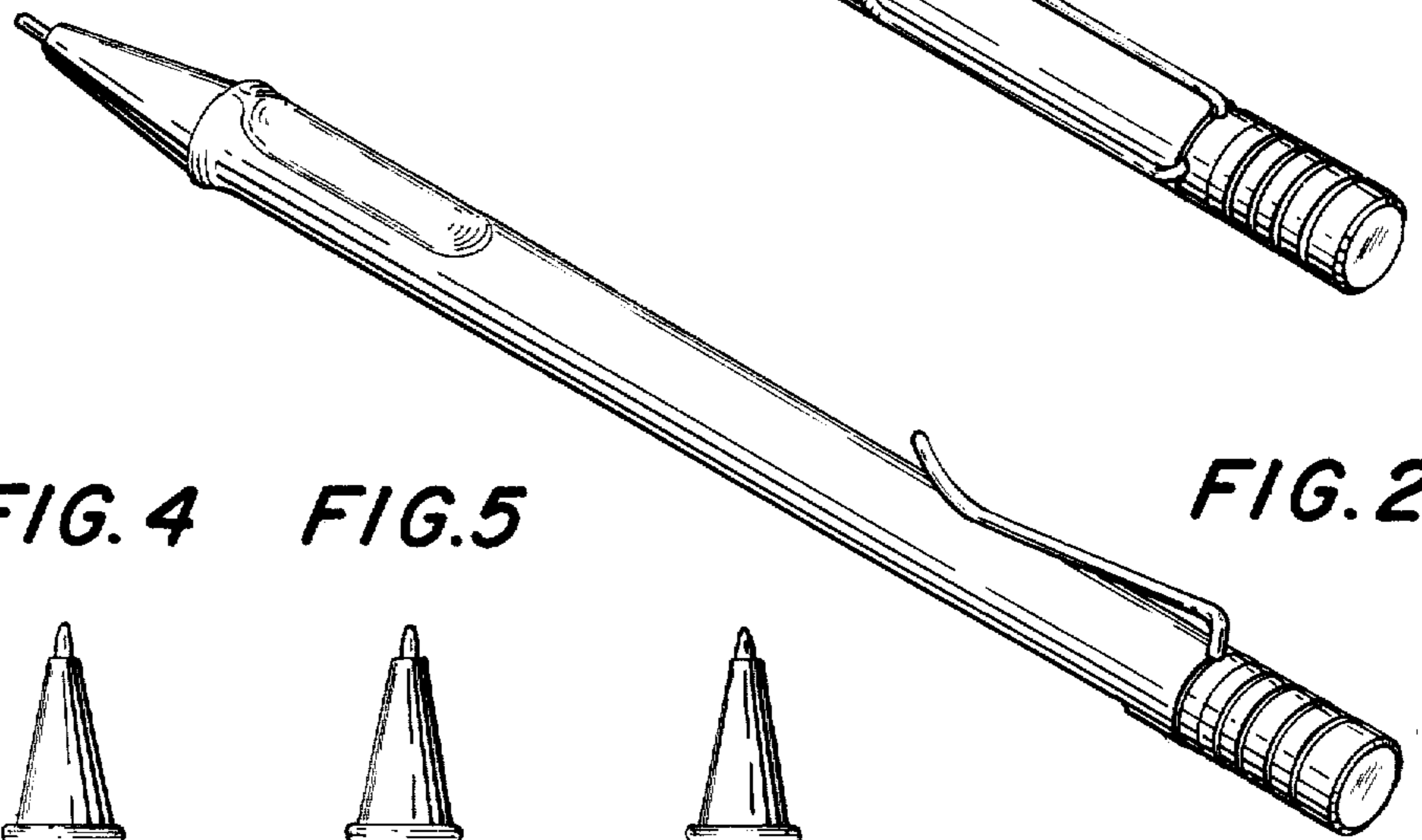


FIG. 2

FIG. 3

FIG. 4

FIG. 5

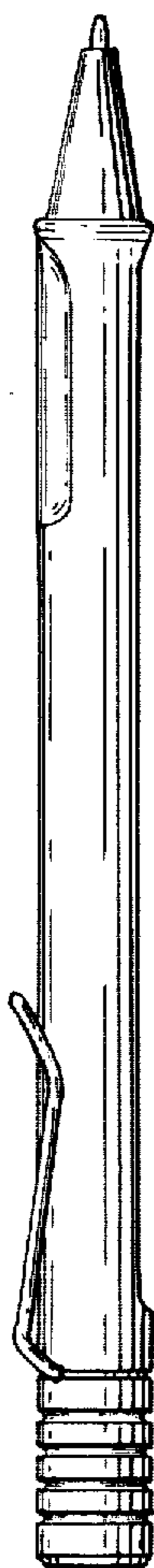
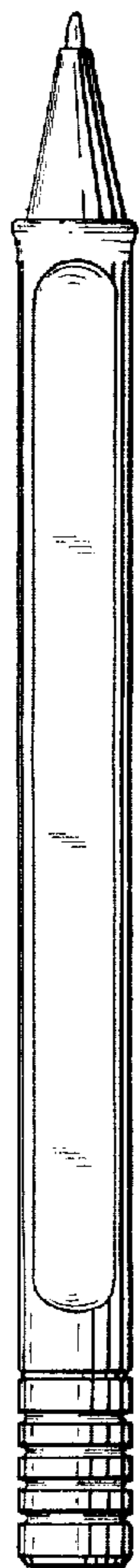
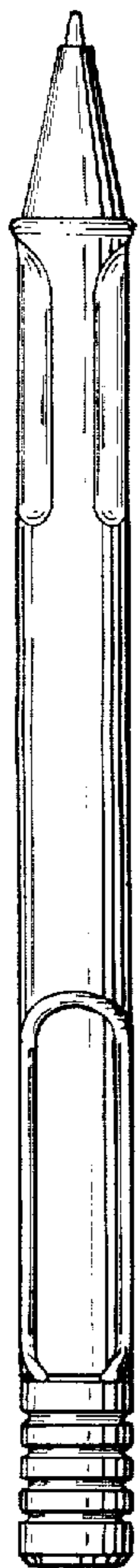


FIG. 7

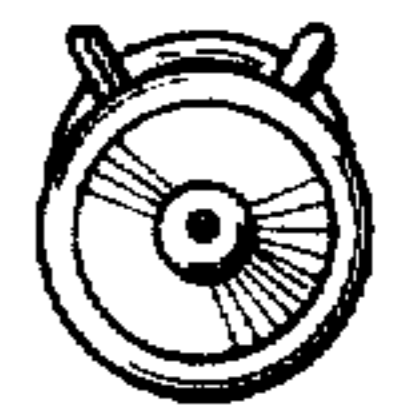


FIG. 6

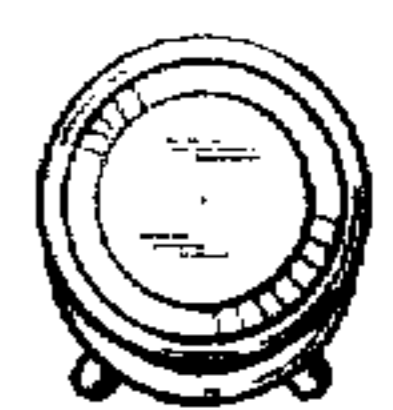


FIG. 8