

[54] SCRIBING RULE GUIDE OR SIMILAR ARTICLE

[76] Inventor: Joseph L. Knight, P.O. Box 150, Knox, Pa. 16232

[**] Term: 14 Years

[21] Appl. No.: 50,815

[22] Filed: Jun. 21, 1979

[51] Int. Cl. D19-99

[52] U.S. Cl. D19/35; D19/37; D19/99

[58] Field of Search D19/35-38, D19/99; D10/61-64, 68; 33/41 B, 25 C, 25 D, 25 E; D8/354

[56] References Cited

U.S. PATENT DOCUMENTS

D. 228,947 10/1973 Mason D19/37

1,734,573 11/1929 Cray 33/25 D

FOREIGN PATENT DOCUMENTS

677185 of 1929 France 33/25 D

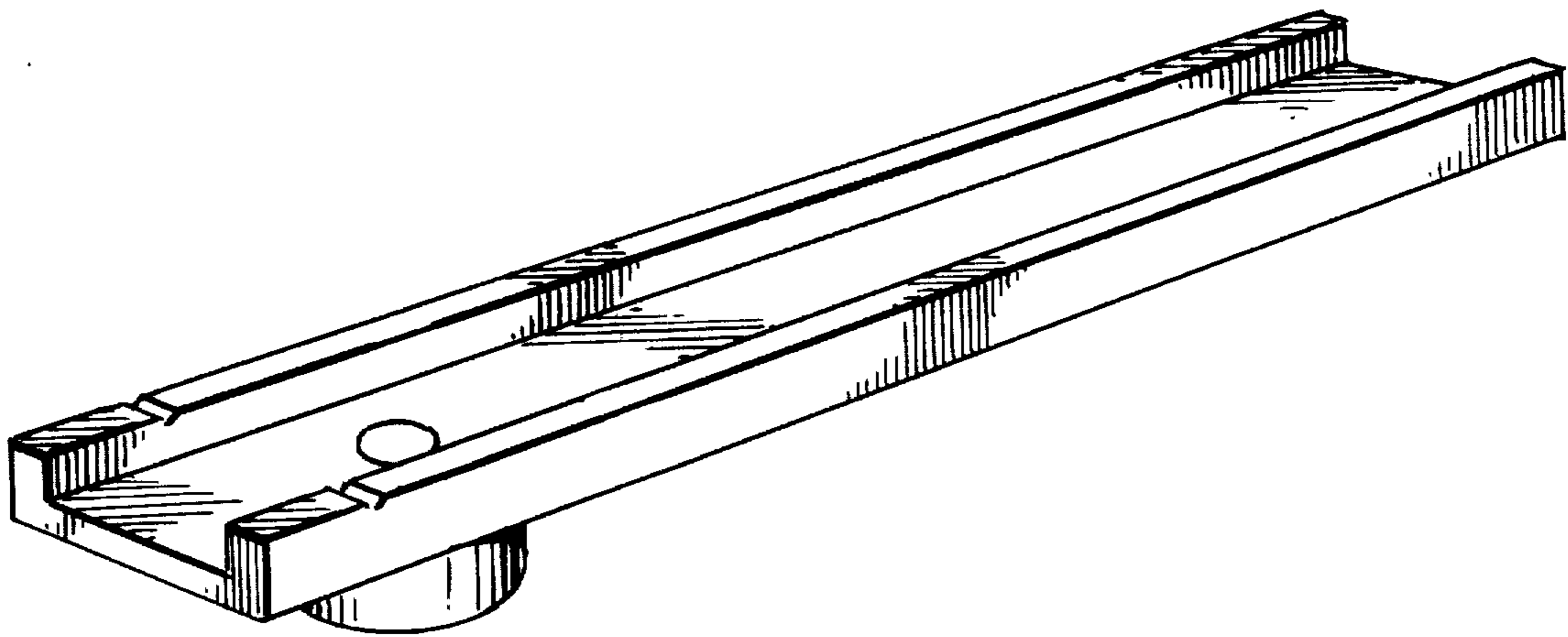
Primary Examiner—George P. Word
Attorney, Agent, or Firm—Anthony A. O'Brien

[57] CLAIM

The ornamental design for a scribing rule guide or similar article, as shown and described.

DESCRIPTION

FIG. 1 is a perspective view of a scribing rule guide, showing my new design;
FIG. 2 is a top plan view thereof;
FIG. 3 is a right side elevational view thereof;
FIG. 4 is a bottom plan view thereof;
FIG. 5 is an inverted left side elevational view thereof;
FIG. 6 is a front elevational view thereof; and
FIG. 7 is a transverse sectional view taken on the line 7-7 of FIG. 3.



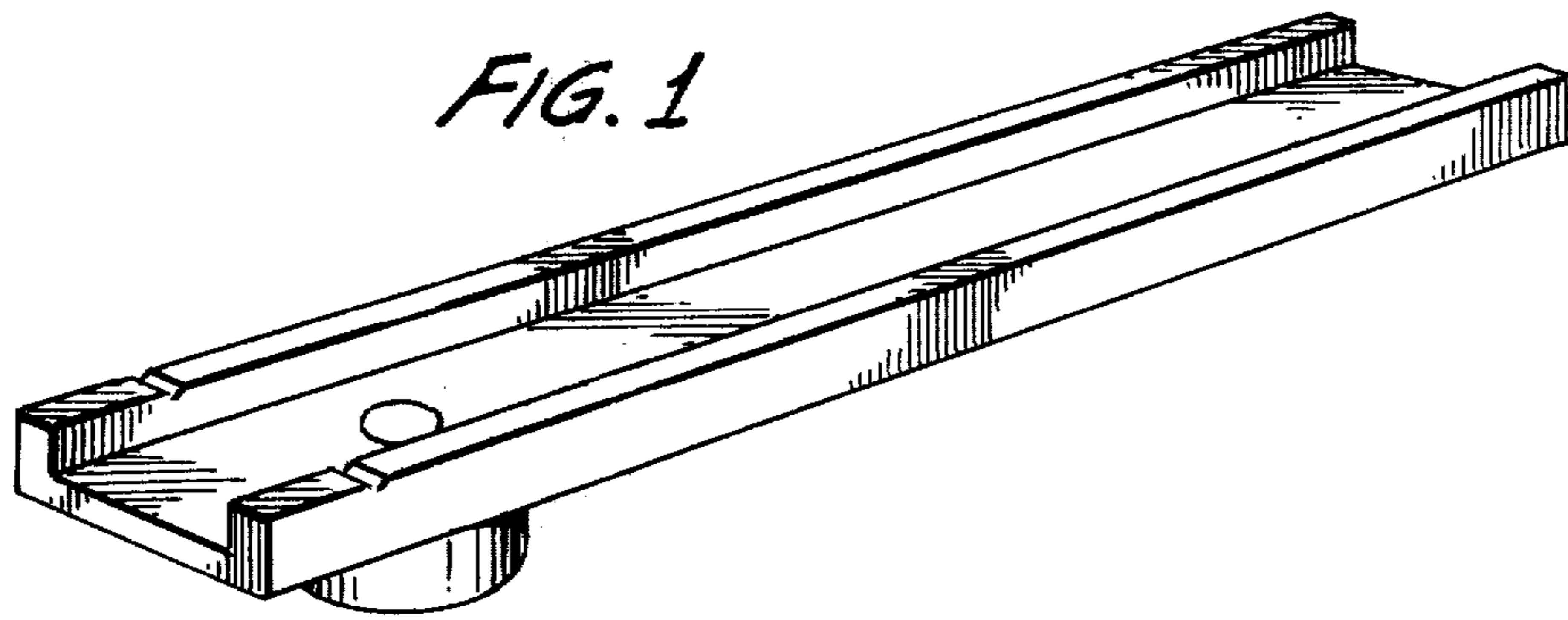
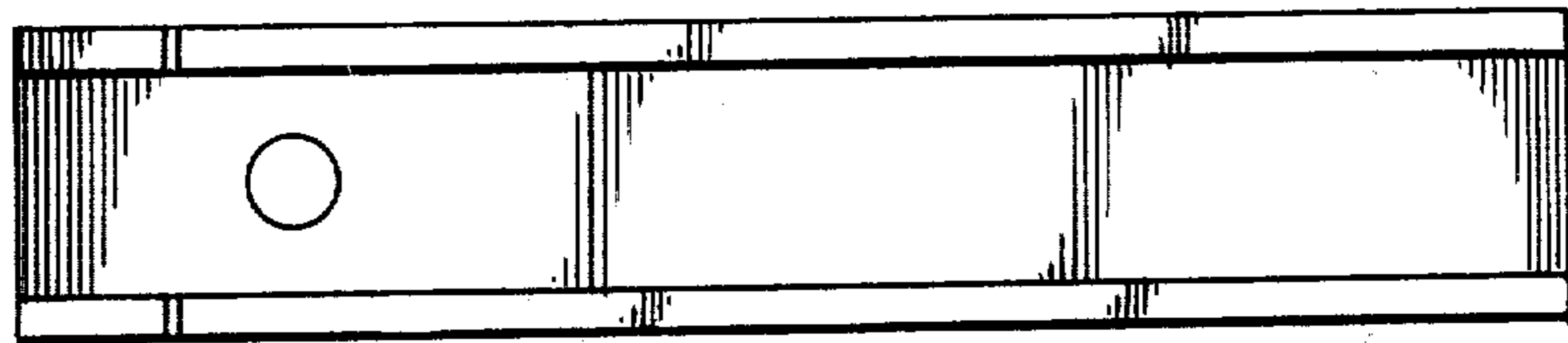
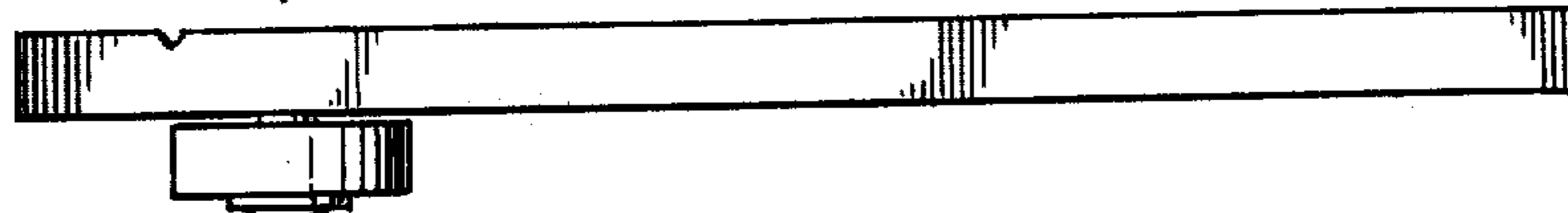


FIG. 2



7 ←

FIG. 3



7 ←

FIG. 4

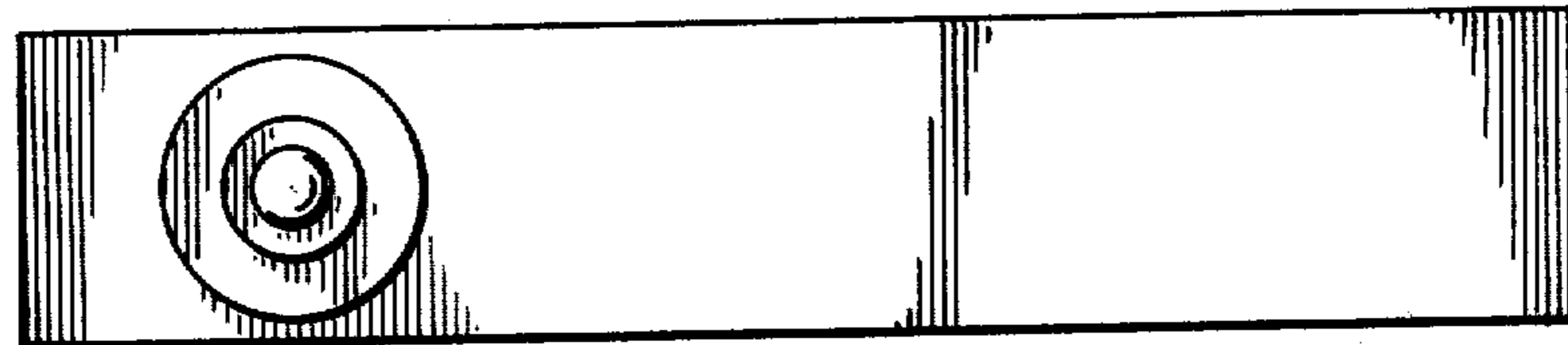


FIG. 5

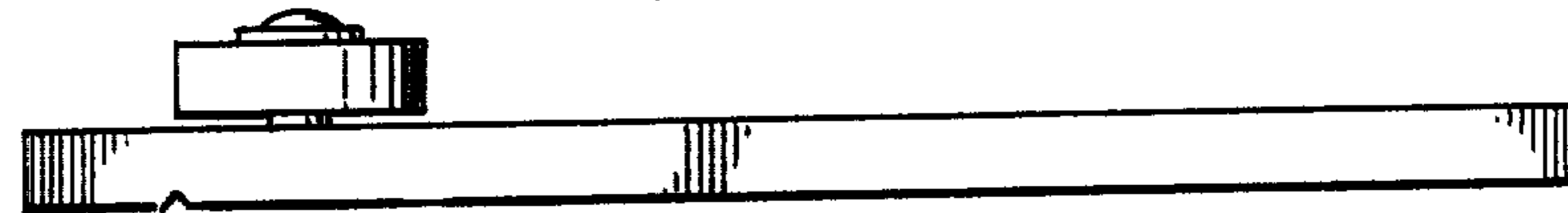


FIG. 6

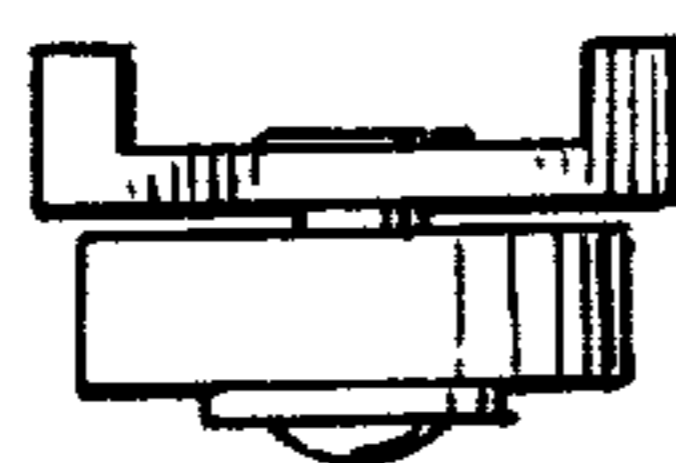


FIG. 7

