

[54] PRINTING MACHINE

[56] References Cited

U.S. PATENT DOCUMENTS

[75] Inventors: Etsuo Hitaishi, Hiroshima; Takeshi Shohoji, Fukuyama, both of Japan

D. 173,703 12/1954 Kirkbride ..... D18/13  
D. 240,558 7/1976 Shohoji et al. .... D18/13  
D. 251,692 4/1979 Hiraishi et al. .... D18/13

[73] Assignee: Ryobi, Ltd., Hiroshima, Japan

Primary Examiner—Louis S. Zarfes  
Attorney, Agent, or Firm—Sughrue, Mion, Zinn,  
Macpeak and Seas

[\*\*] Term: 14 Years

[57] CLAIM

[21] Appl. No.: 169,244

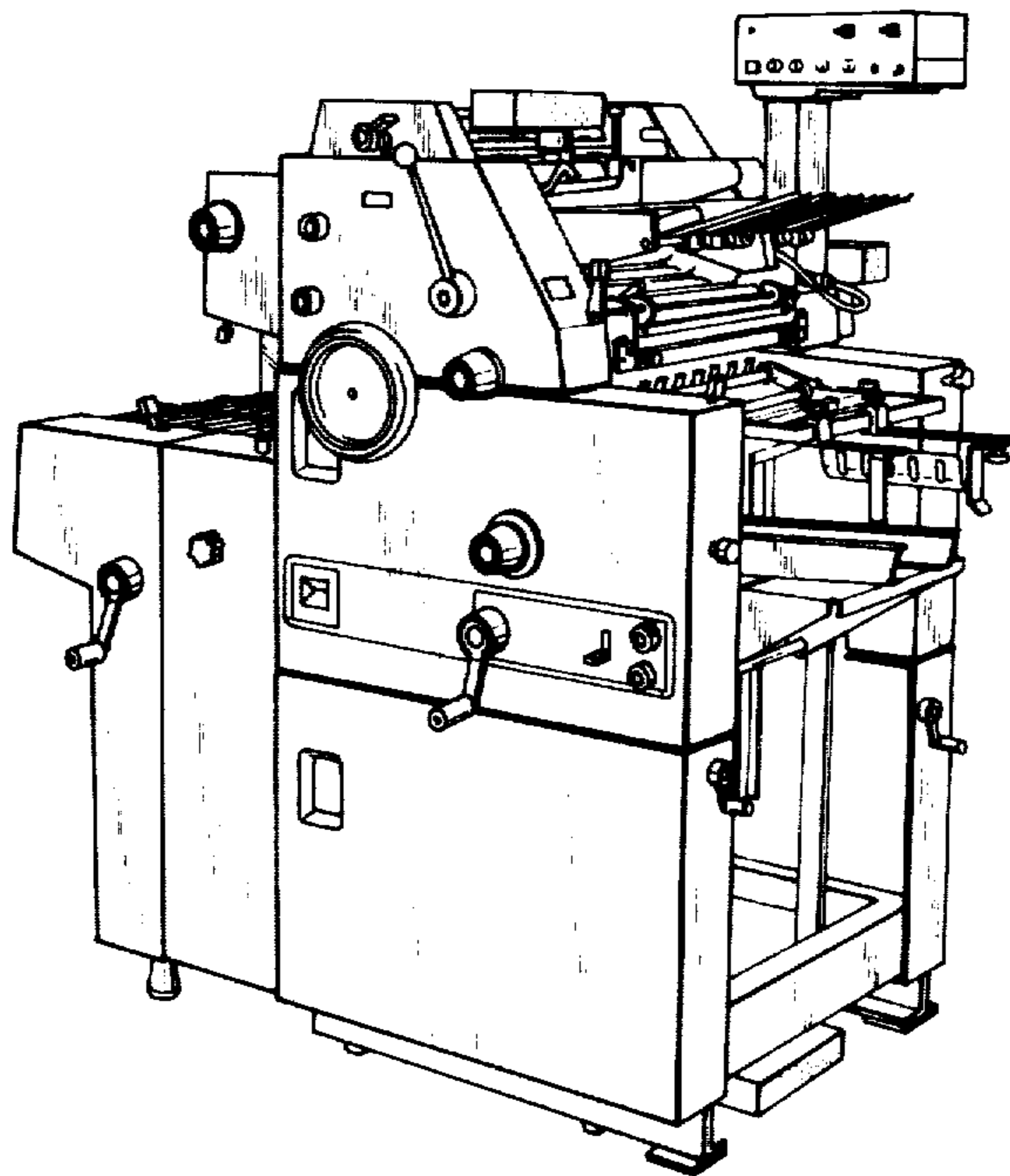
The ornamental design for a printing machine, as shown.

[22] Filed: Jul. 16, 1980

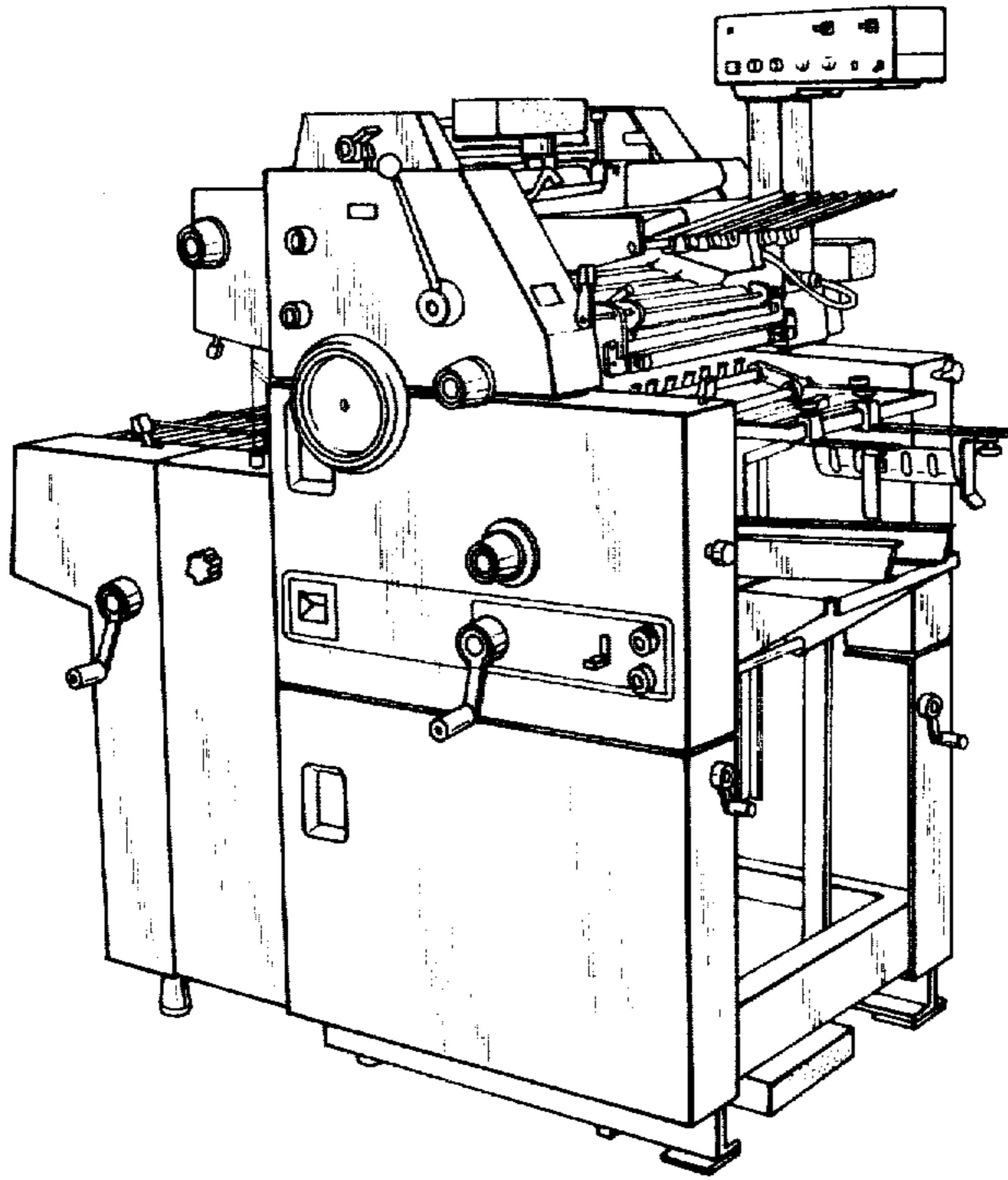
DESCRIPTION

[51] Int. Cl. .... D18—02  
[52] U.S. Cl. .... D18/13  
[58] Field of Search ..... D18/13, 22, 99;  
D14/111; 100/130, 132.5, 135, 141, 147

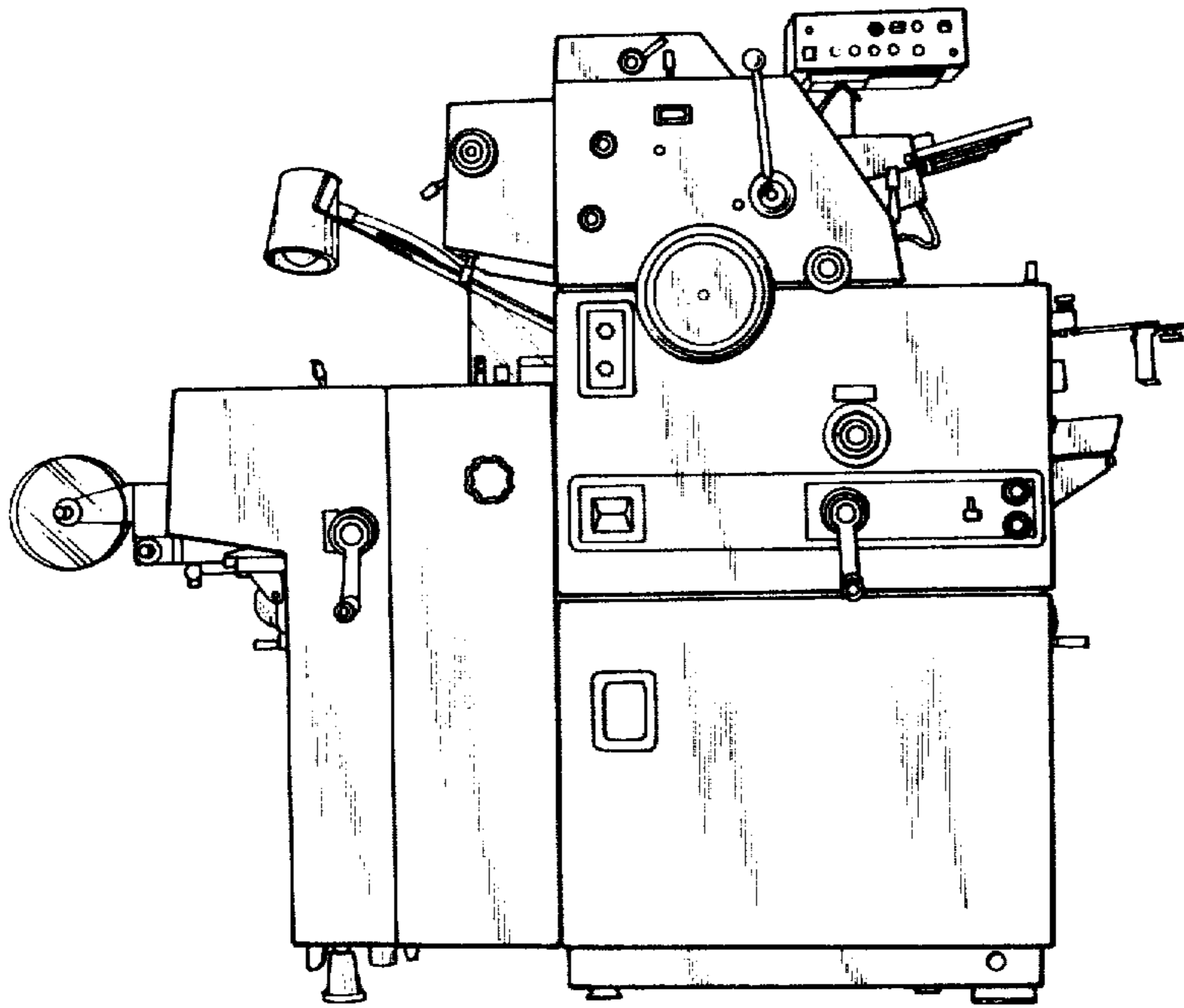
FIG. 1 is a front, top and left side perspective view of a printing machine showing our new design; FIG. 2 is a left side perspective view thereof; FIG. 3 is a front perspective view thereof; FIG. 4 is a right side perspective view thereof; FIG. 5 is a top perspective view thereof; and FIG. 6 is a rear perspective view thereof.



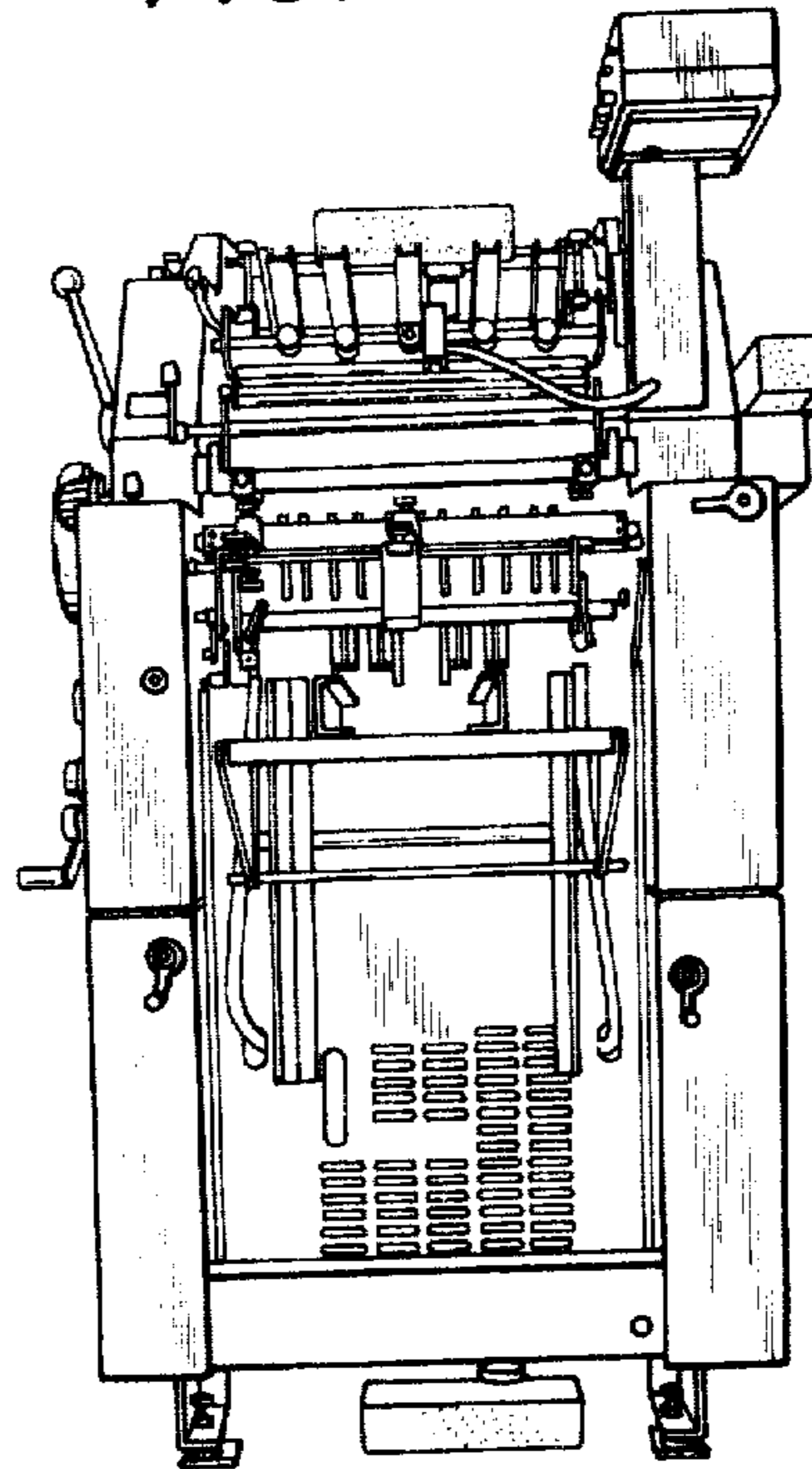
*FIG. 1*



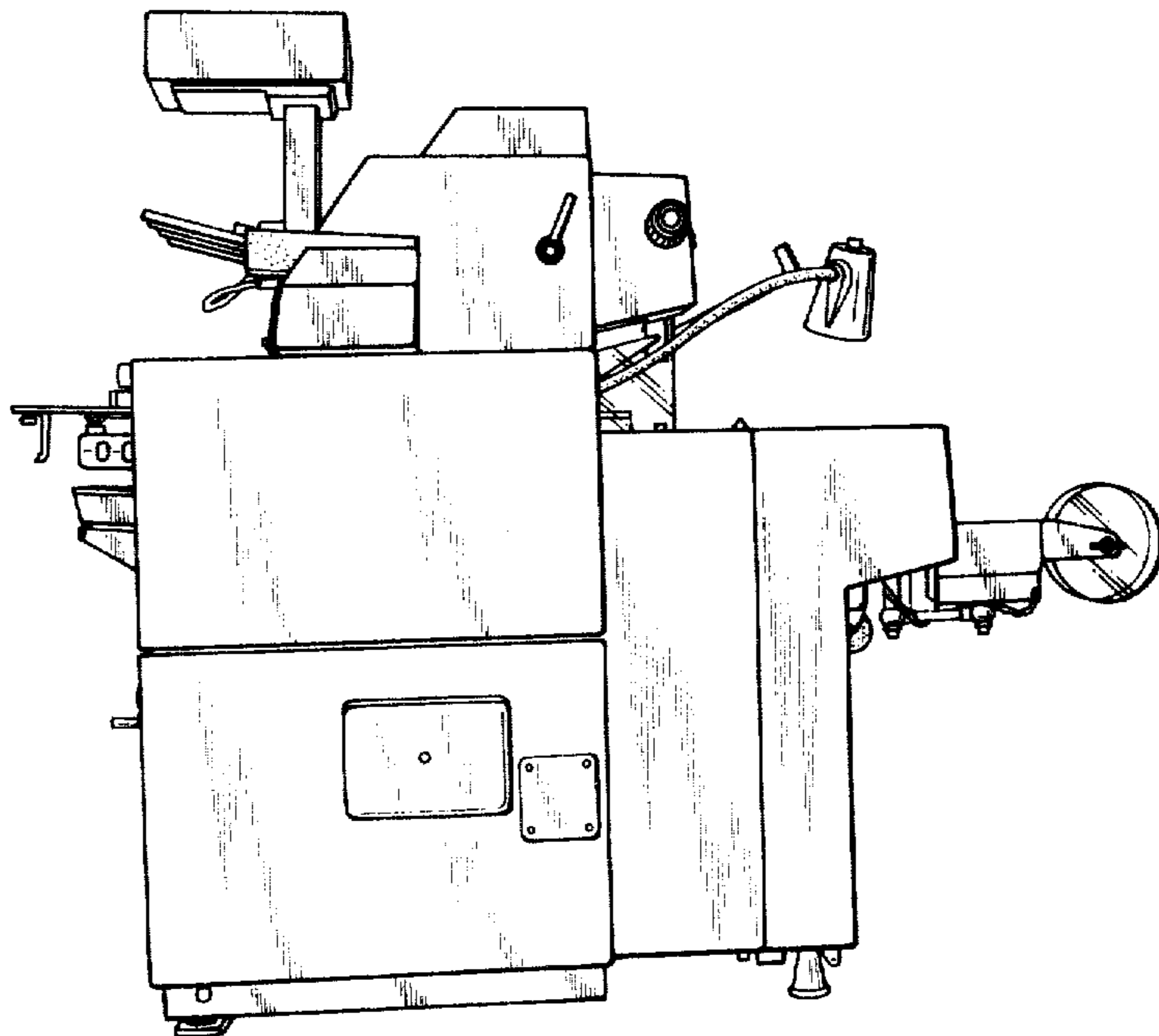
*FIG. 2*



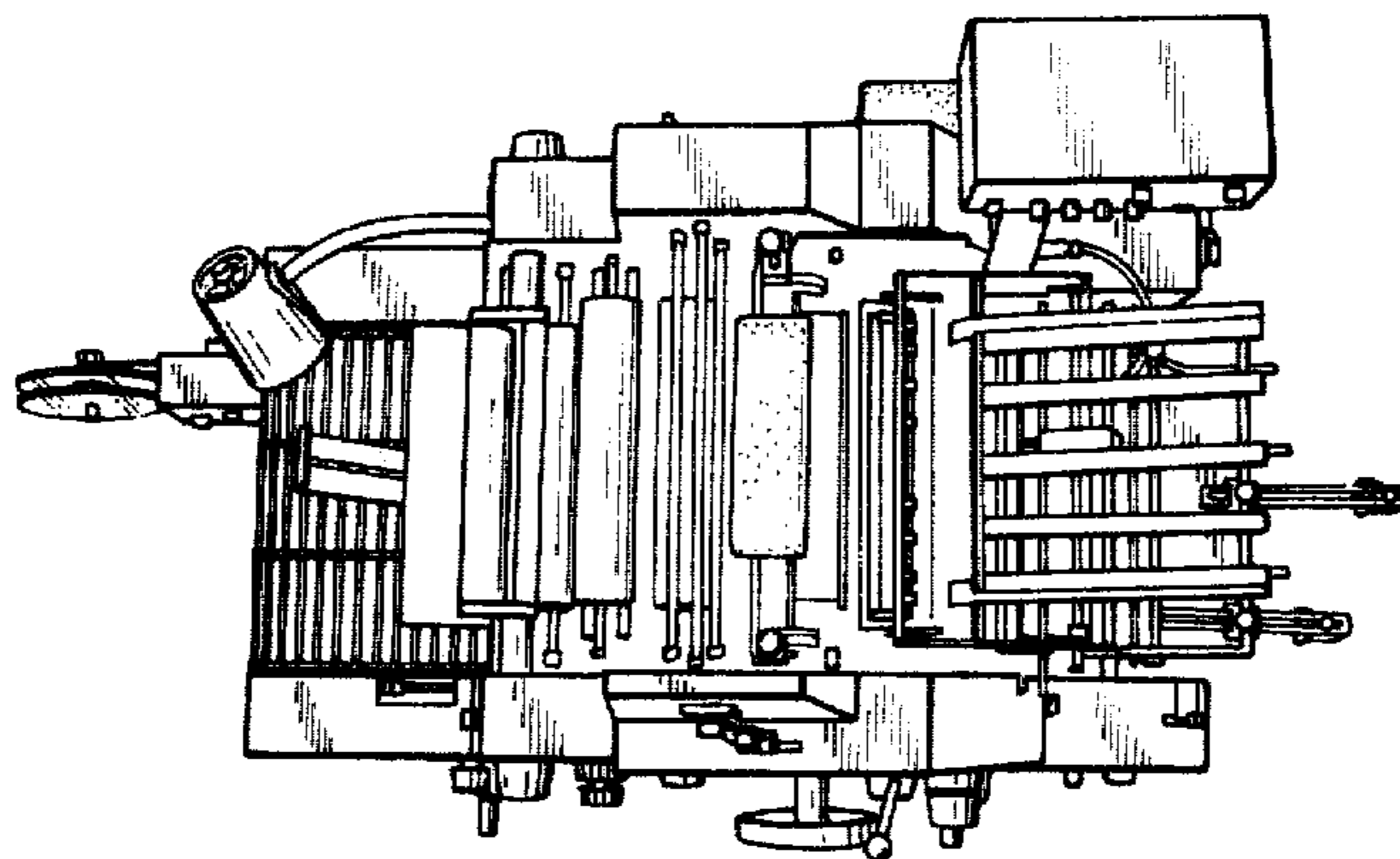
*FIG. 3*



*FIG. 4*



*FIG. 5*



*FIG. 6*

