

[54] PAIR OF BINOCULARS OR SIMILAR ARTICLE

3,572,887 3/1971 Leitzsch 350/51
4,066,329 1/1978 Van Exel 350/77

[75] Inventors: George Rosenfield, Coral Gables;
Richard L. Korte, Miami, both of Fla.

Primary Examiner—Bernard Ansher
Attorney, Agent, or Firm—I. Walton Bader

[73] Assignee: Tasco Sales, Inc., Miami, Fla.

[57] CLAIM

[**] Term: 14 Years

The ornamental design for a pair of binoculars or similar article.

[21] Appl. No.: 930,109

DESCRIPTION

[22] Filed: Aug. 1, 1978

[51] Int. Cl. D16-06

[52] U.S. Cl. D16/133

[58] Field of Search D16/58, 63, 133;
350/145, 146, 75, 76, 36, 51, 71, 72

FIG. 1 is a front view of a pair of binoculars or similar article showing our new design.

FIG. 2 is a bottom plan view thereof.

FIG. 3 is a left side view thereof.

FIG. 4 is a front view thereof.

FIG. 5 is a top plan view thereof.

The characteristic feature of our design resides in the focusing control handle of the pair of binoculars which is formed with a plurality of spaced vertical indentations provided with a substantially horizontal slot extending across the front of said control handle.

[56] References Cited

U.S. PATENT DOCUMENTS

D. 83,934 4/1931 Trautmann D16/59
D. 249,350 9/1978 Beecher D16/59

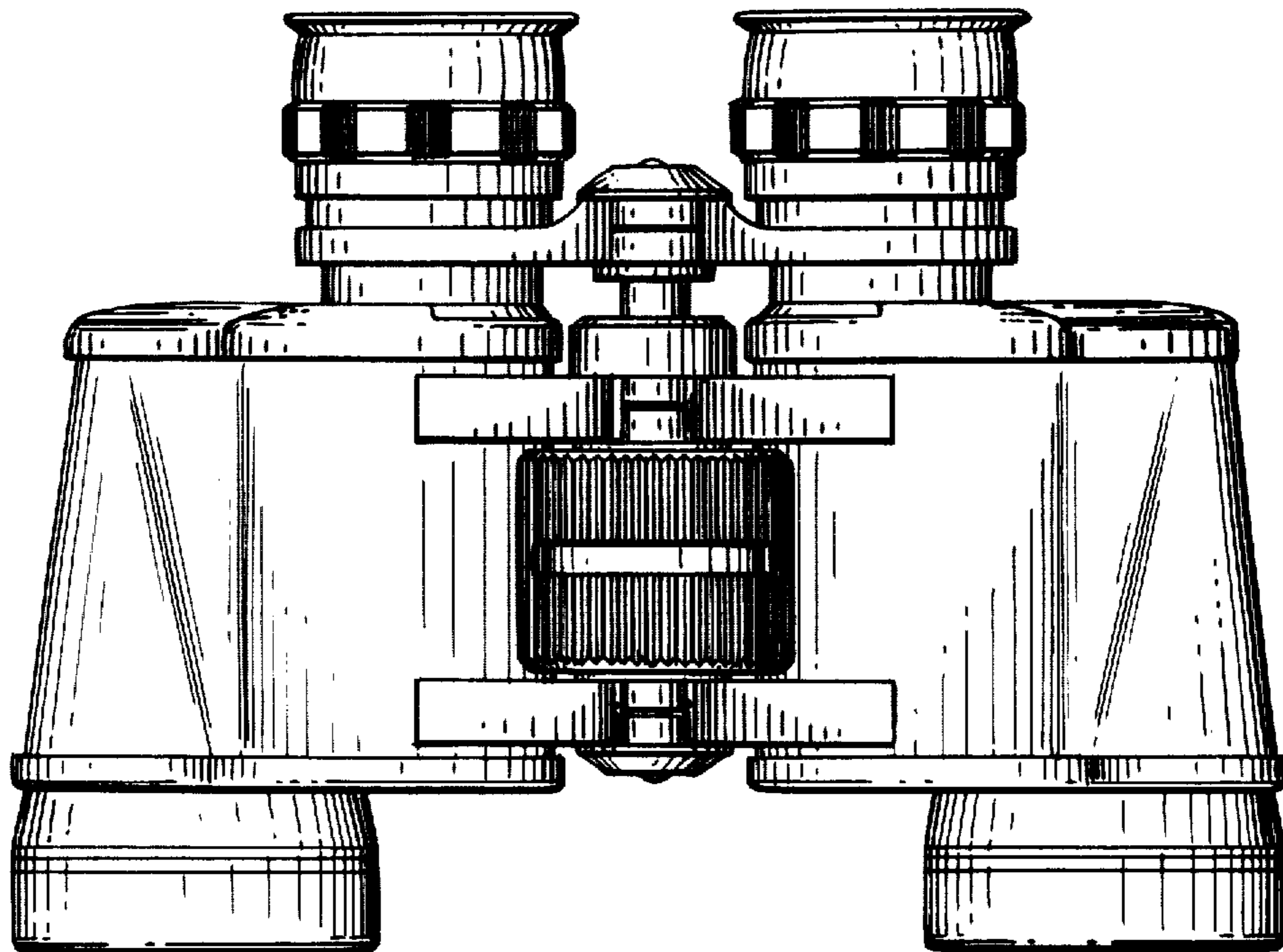


FIG. 1

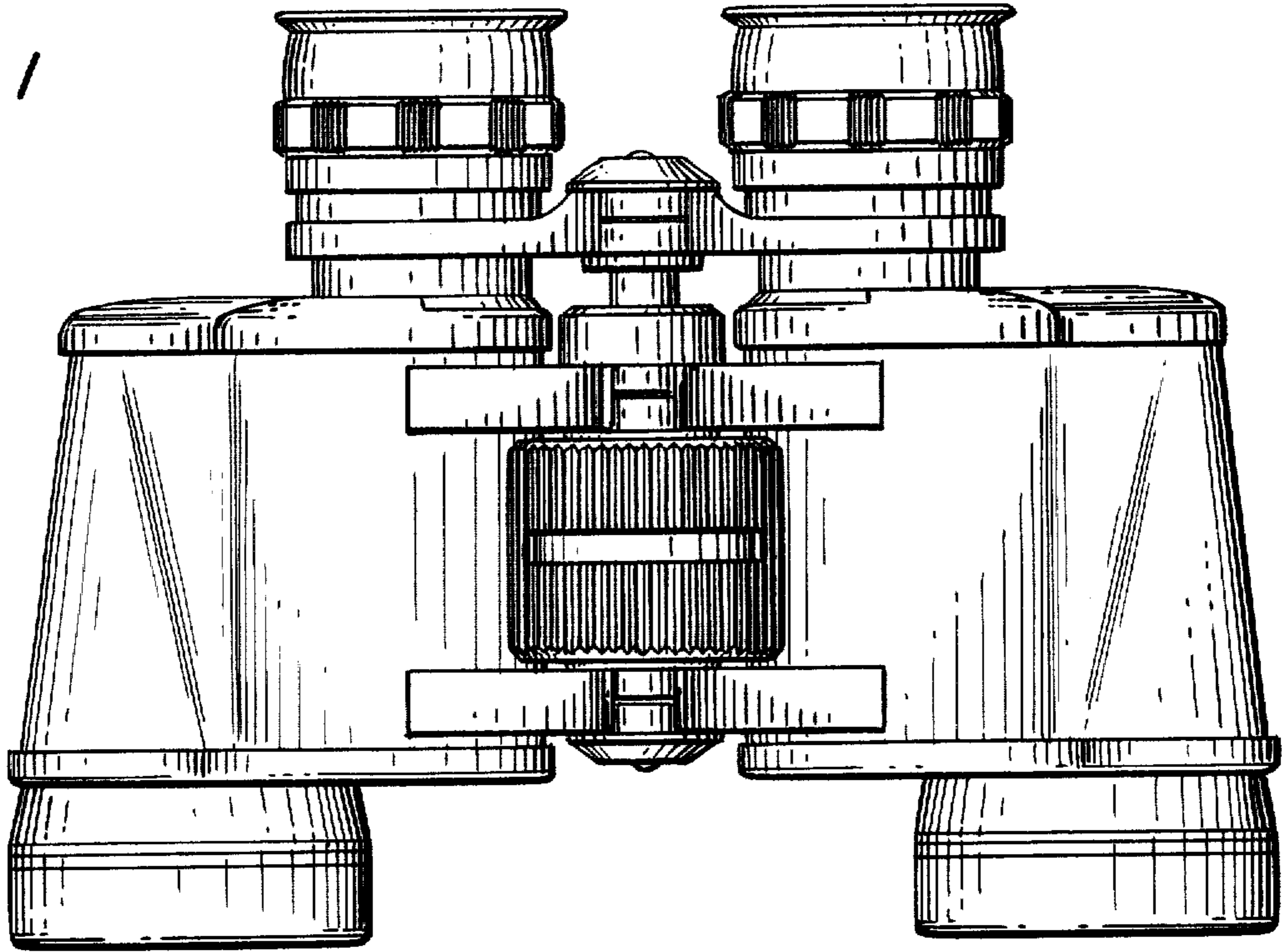


FIG. 2

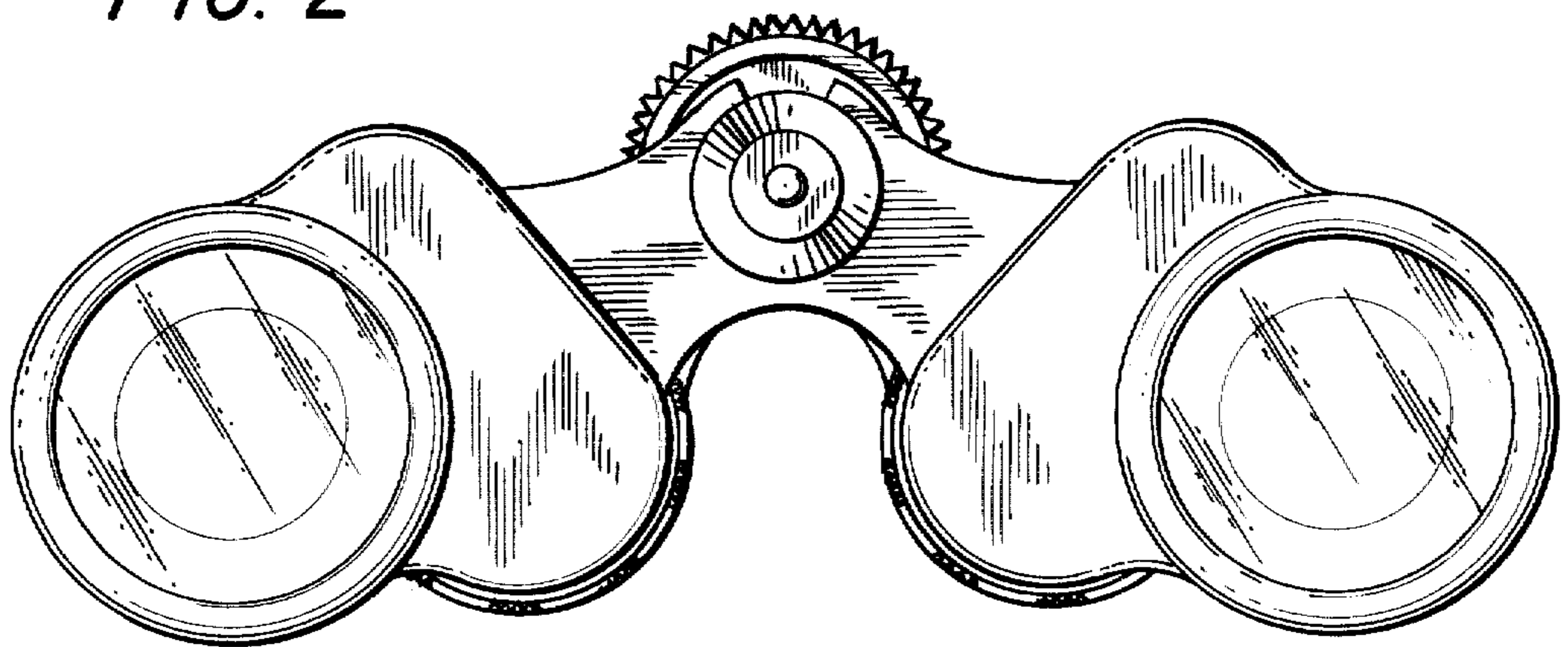


FIG. 3

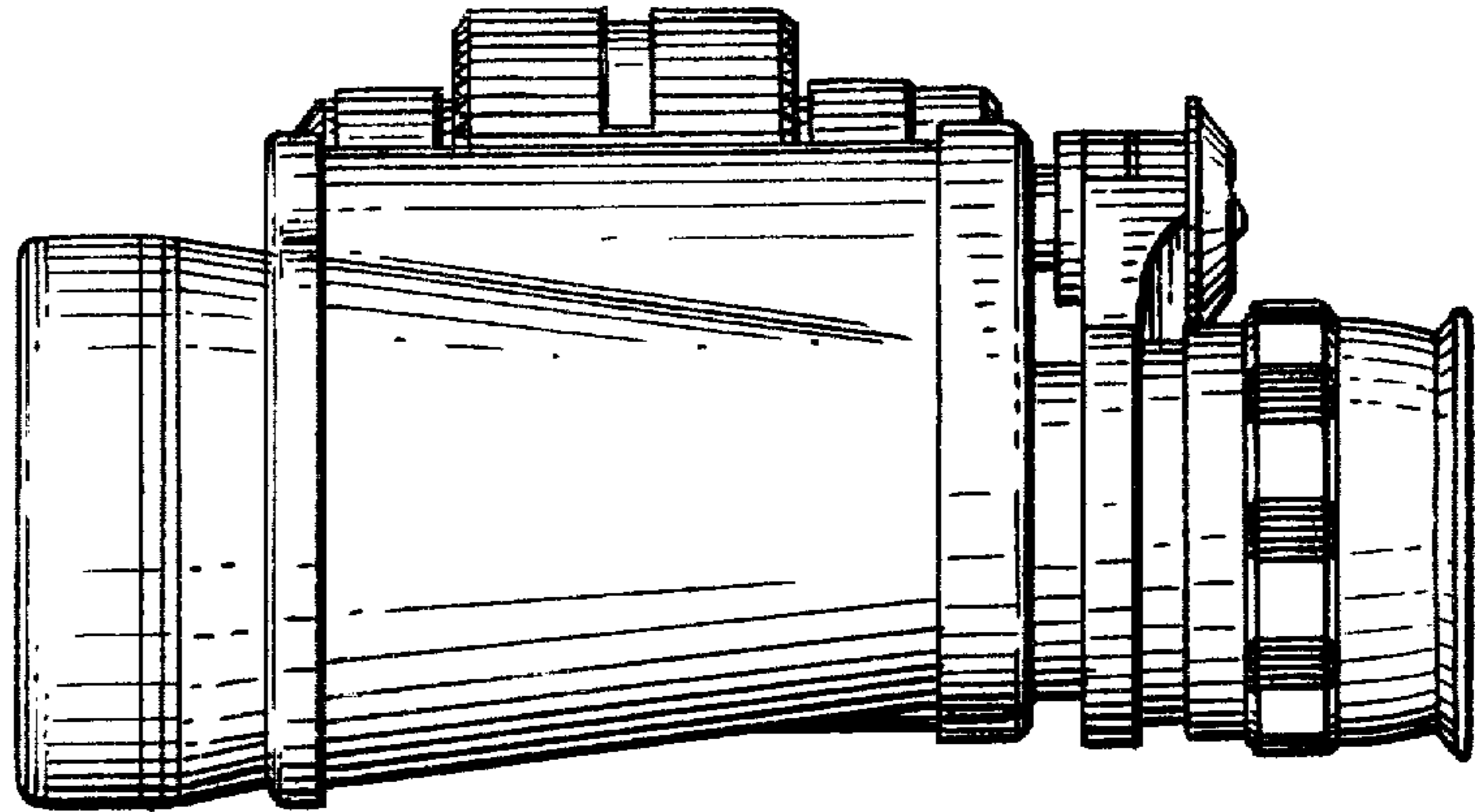


FIG. 4

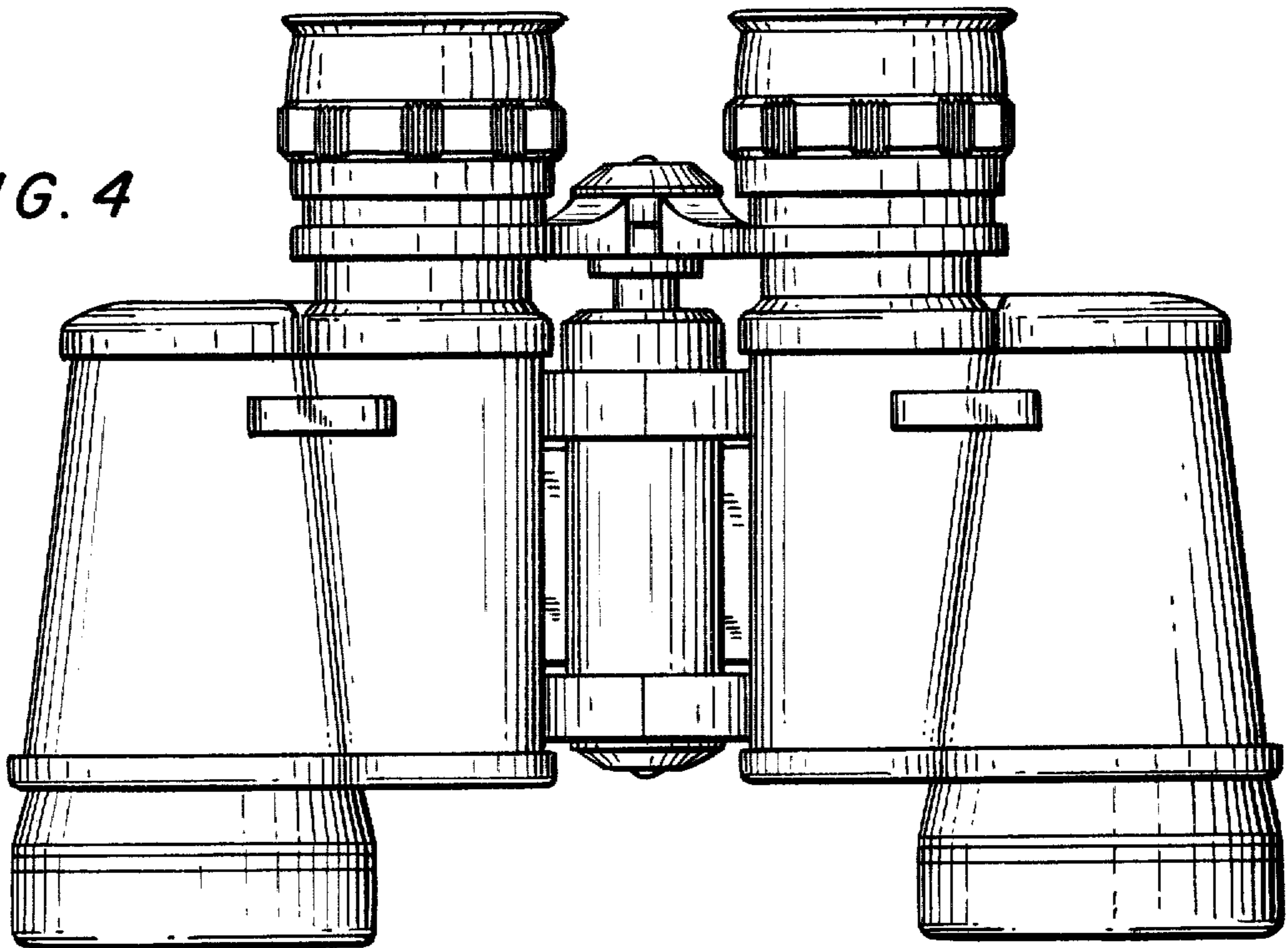


FIG. 5

